



Domestic fluid filters

with centrifugal
prefiltration



www.cintropur.com



NW 18

Ø 3/4"



NW 25

Ø 3/4" or 1"



NW 32

Ø 1 1/4"



Filtration

Standard filter delivered as shown (with a 25 µ filter sleeve and a black spanner for dismantling)

GENERAL DESCRIPTION

Made entirely from top quality synthetic material, CINTROPUR filters are ideal for use with food products and drinking water. The CINTROPUR vane changes the liquid flow using centrifugal motion, forcing the larger particles down into the lower bowl, depending on the chosen filter sleeve micron-size.

Basic principle

The protection of sanitary domestic, collective and agricultural water supplies by filtering out the solid particles (earth, sand, rust, etc,...) suspended in the water.

The protection filter will be ideally placed at the entrance of the installation in order to protect all the devices connected below.

Advantages :

- high and constant flow rate ;
- low pressure drop ;
- centrifugal prefiltration with a cyclonal effect ;
- robustness and reliability ;
- fast and easy flushing out ;
- permanent visual control of the filter sleeve (transparent bowl) ;
- exclusive system, ecological and not expensive (filter sleeve).

APPLICATIONS

Residential : Protection of sanitary networks supplied with domestic water, rainwater or well water. Filtration of water before softener, reverse osmosis or treatment by ultraviolet.

Industrial : Protection of sanitary networks, machine tools and all industrial machinery for water treatment. Filtration of water before high pressure cleaning machines (100 to 200 bar / 1500 to 3000 psi) and very high pressure cleaning machines (1500 to 2500 bar / 21000 to 35000 psi).

Agricultural : Filtration of watering (spraying) installations ;
Filtration of water for animals ;
Filtration of rainwater and well water.

Water treatment

The water treatment (TE-CTN) models are equipped for the use of different water treatment products.

• Polyphosphates, silicates and silicon-polyphosphates.

Efficient up to 60°C / 140° F, these products are used to reduce the harmful and scaling effects of the water hardness. The protection of new installations against rust is also a well known application.

• Activated carbon CINTROPUR SCIN

Its large pore volume and pore size distribution makes it highly suitable for the improvement of taste and the removal of odour, chlorine, ozone, micropollutants such as pesticides and other dissolved organic substances.

NW 25 TE
+ activated carbon



T10
Ø 1"

NW 25 DUO-CTN
Ø 3/4" + 1"

NW 25 TE-CTN
Ø 1"

NW 32 TE
Ø 1 1/4"



Ideal
for rainwater

Treatment

The removable top lid of the CTN cartridge allows to change the activated carbon while keeping the container.



Advantages of use CINTROPUR TE-CTN + activated carbon CINTROPUR SCIN

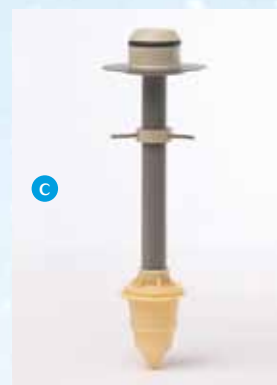
1. The important quantity of activated carbon which is used in the Cintropur TE-CTN filters guarantees optimal results as well as an optimal lifespan. The poorer the flow rate, the greater the result ;
2. The lifetime of the carbon depends on its application : for drinking water it is recommended to change the carbon every 3 months (max. 20 000 filter volumes) otherwise every 6 months at the most ;
3. The internal mechanism of the TE filters allows a maximal contact time between the treated water and the activated carbon ; guaranteeing optimal efficiency of treatment ;
4. One of the best activated carbons available on the market is used-offering a very high adsorption capacity ;
5. Very competitive prices for the refills of activated carbon ;
6. Conditioning especially designed for an easy filling of the filters.

ACCESSORIES

- A Pressure gauges 0-10 bar 1/8"**
Before the assembly, drill fully and thread. Gives the pressure of the installation. Filter sleeve to be changed at 1 bar / 14.22 psi ΔP, or at least twice a year.
- B Wall bracket (simple and for DUO)**
M 8 tapping from the outset in each head of filter NW 18, NW 25 and NW 32. Bracket to be fixed on the head of the filter with standard inox screw delivered.
- C Receptacle for activated carbon**
Adaptable for NW25TE + NW32TE, this tube + strainer will be used for the treatment with activated carbon or with crystals.
- D Drain cock 1/4"**
Allows the draining under pressure of the larger particles collected by the centrifugal effect. The bowl is screwed into place by hand (no tools required). Identical for NW18 - NW25 - NW32.

REFILL

- E Filter sleeve (sets of 5 pieces)**
Non washable : 5μ / 10μ / 25μ / 50μ / 100μ
Washable : **150μ / 300μ**
- F Activated carbon (carton of 3.4 liters / 0.90 US Gall)**
Quality CINTROPUR SCIN
Capacity of the available volumes for:
cartridge CTN = 0,57 l (6 refills)
NW 32 TE = 1,7 l (2 refills)



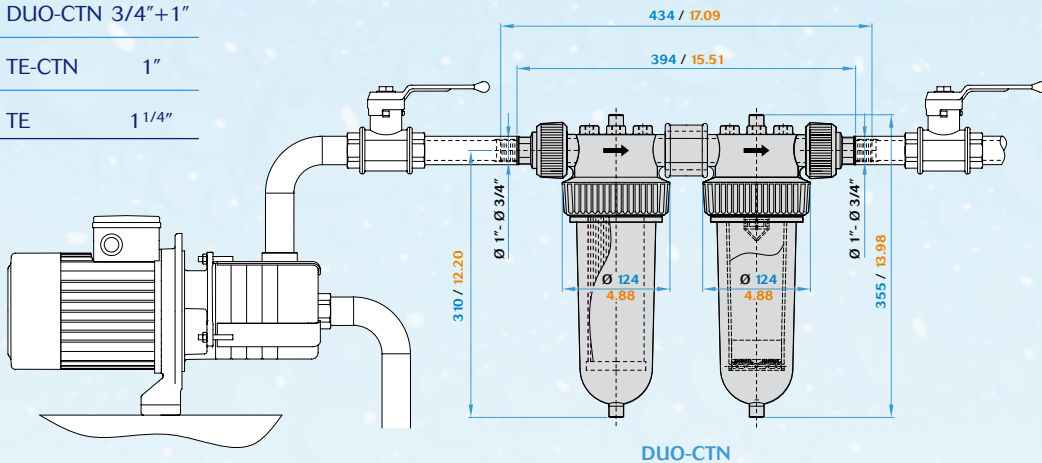
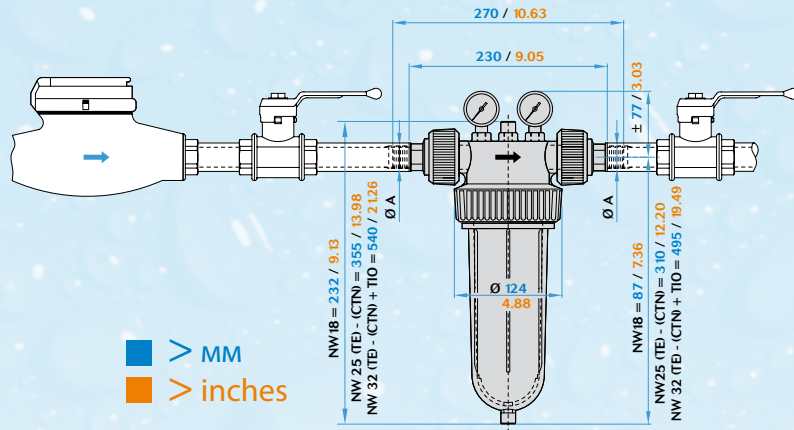
TECHNICAL DATA

Filter type		NW 18	NW 25	NW 32	TIO	NW 25 DUO-CTN	NW 25 TE-CTN	NW 32 TE
Diameter of pipe		3/4"	3/4" or 1"	1 1/4"	1"	3/4" + 1"	1"	1 1/4"
Average flow rate :	m³/h	3.5	5.5	6.5	0.5*	0.5*	0.5*	0.5*
ΔP = 0,2 bar / 2.8 psi	gpm	15.4	24.2	28.6	2.2*	2.2*	2.2*	2.2*
Working pressure :	bar	10	10	10	10	10	10	10
	psi	142	142	142	142	142	142	142
Max. operating pressure :	bar	16	16	16	16	16	16	16
	psi	228	228	228	228	228	228	228
Max. operating t°		50° C 122° F	50° C 122° F	50° C 122° F	50° C 122° F	50° C 122° F	50° C 122° F	50° C 122° F
Weight :	Kg	0.9	1.2	1.7	1.8	2.4	1.3	1.6
	pounds	1.99	2.65	3.75	3.97	5.30	2.87	3.53
Standard filter sleeve		25 μ	25 μ	25 μ	25 μ	25 μ	—	—
Available volume	ltr	—	—	—	0.57 l	0.57 l	0.57 l	1.70 l
	US Gal.	—	—	—	0.15 l	0.15 l	0.15 l	0.45 l
Filtration pressure :	cm²	190	450	840	335	1 x 450	—	—
	Sq inches	29.45	69.75	130.20	51.92	1 x 69.75	—	—

* Value with activated carbon CINTROPUR SCIN

INSTRUCTIONS

Symbols	A (∅)
NW 18	3/4"
NW 25	1"
NW 32	1 1/4"
TIO	1"
NW 25 DUO-CTN	3/4" + 1"
NW 25 TE-CTN	1"
NW 32 TE	1 1/4"



Your supplier :



Cintropur® is a product of the AIRWATEC® company

info@cintropur.com — www.cintropur.com

