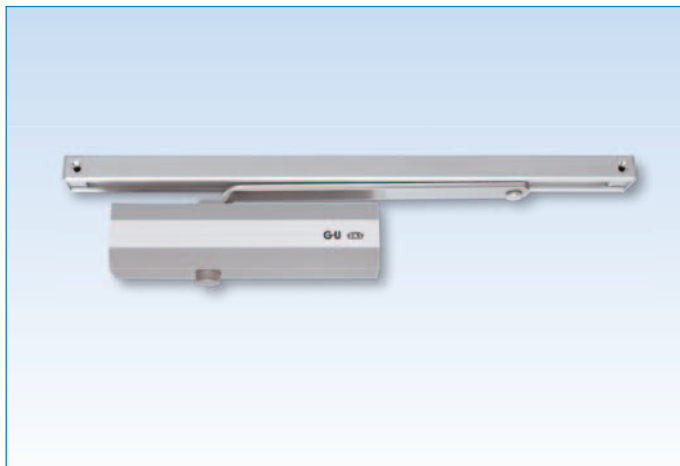


with gliding rail



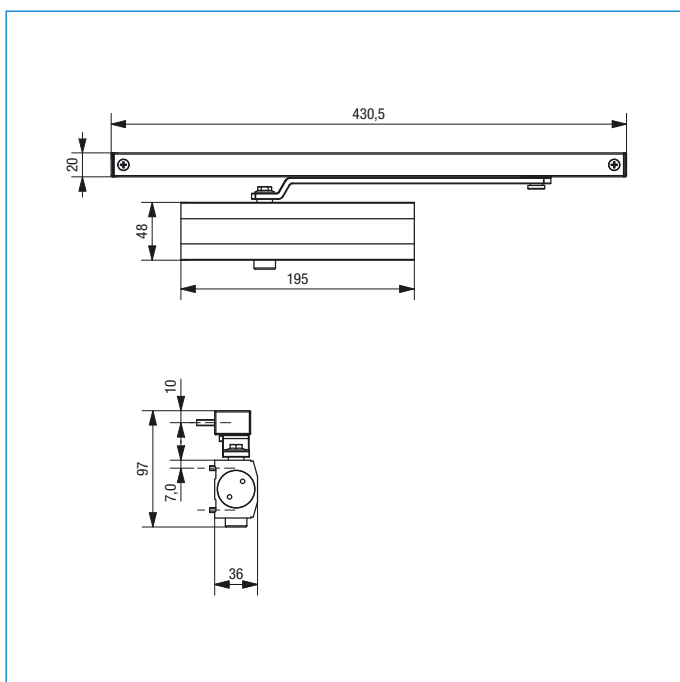
Product characteristics

- Stepless valve adjustment at the front for
 - Closing speed
 - Latching force
- Plastic valves with optimum thermal characteristics provide consistent closing speed also with changes in temperature.
- Protection against forced operation via security valve.
- Max. door opening and closing angle 180°. ^[2]
- Controlled closing from any opening angle.
- Compact and shapely aluminium cover.
- Optional: Hold-open device OTS 200 G (80° – 115°). ^[4]

Range of application

- For timber, PVC, aluminium and steel internal swing doors.
- Non-handed (DIN lh and DIN rh usable).
- For door leaf widths up to 750 mm.
- Standard mounting on hinge side.
- Transom mounting opposite to hinge side. ^[3]

Dimensions



Order information

Overhead door closer	Finish	PU	Order number
OTS 200 G with gliding rail	silver colour	1 pc.	K-17514-00-0-1
	dark bronze colour	1 pc.	K-17514-00-0-5
	white (RAL 9016)	1 pc.	K-17514-00-0-7
Hold-open device OTS 200 G ^[4] mechanical		1 pc.	K-17515-00-0-0



08 2008-OTS-0002

EN 1154: 1996 + A1: 2002