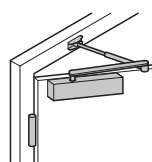
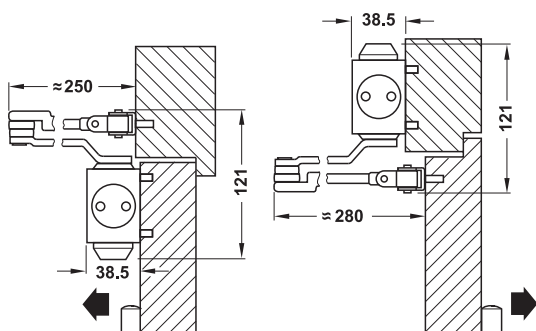
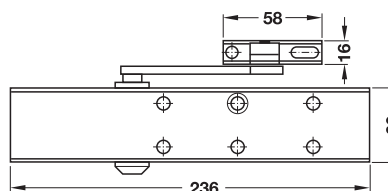
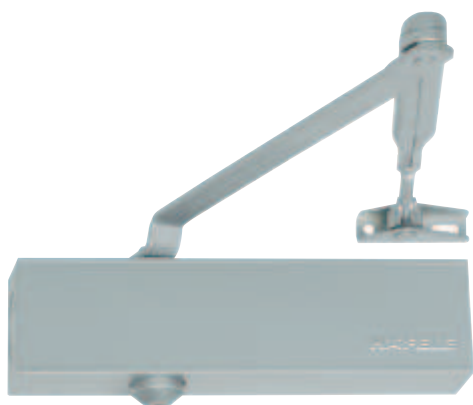
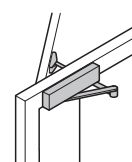


## DCL 51 EN 2 – 5



Standard installation  
(door leaf installation)  
on pull side



Overhead installation  
(transom fixing)  
on push side

### Fire resistance and smoke control

**F** Tested for fire resistant and smoke control doors.

**X** The use of a hold open device on fire resistant and smoke control doors is not permitted.

- Version: Optionally with standard arm or hold open arm
- Installation: Suitable for standard installation on pull side and overhead installation on push side
- Adjustment facility: Closing speed, backcheck and latching action adjustable
- Closing force: 2 – 5
- Door width:  $\leq 1,250$  mm
- Door weight:  $\leq 100$  kg
- Opening angle:  $\leq 180^\circ$
- Hold open angle:  $\leq 150^\circ$
- Mounting: For DIN left hand and DIN right hand use
- Standard: Certified in compliance with EN 1154:1996/A1:2002
- Class: 

4	8	2 – 5	1	1	3
---	---	-------	---	---	---

		Silver colour lacquered	Stainless steel matt	Brass polished
<b>DCL 51 set with standard arm</b>				
1 DCL 51 with standard arm	<b>F</b>	931.84.829	931.84.820	931.84.828
<b>DCL 51 set with hold open arm</b>				
1 DCL 51 with hold open arm	<b>X</b>	931.84.669	931.84.660	931.84.668