

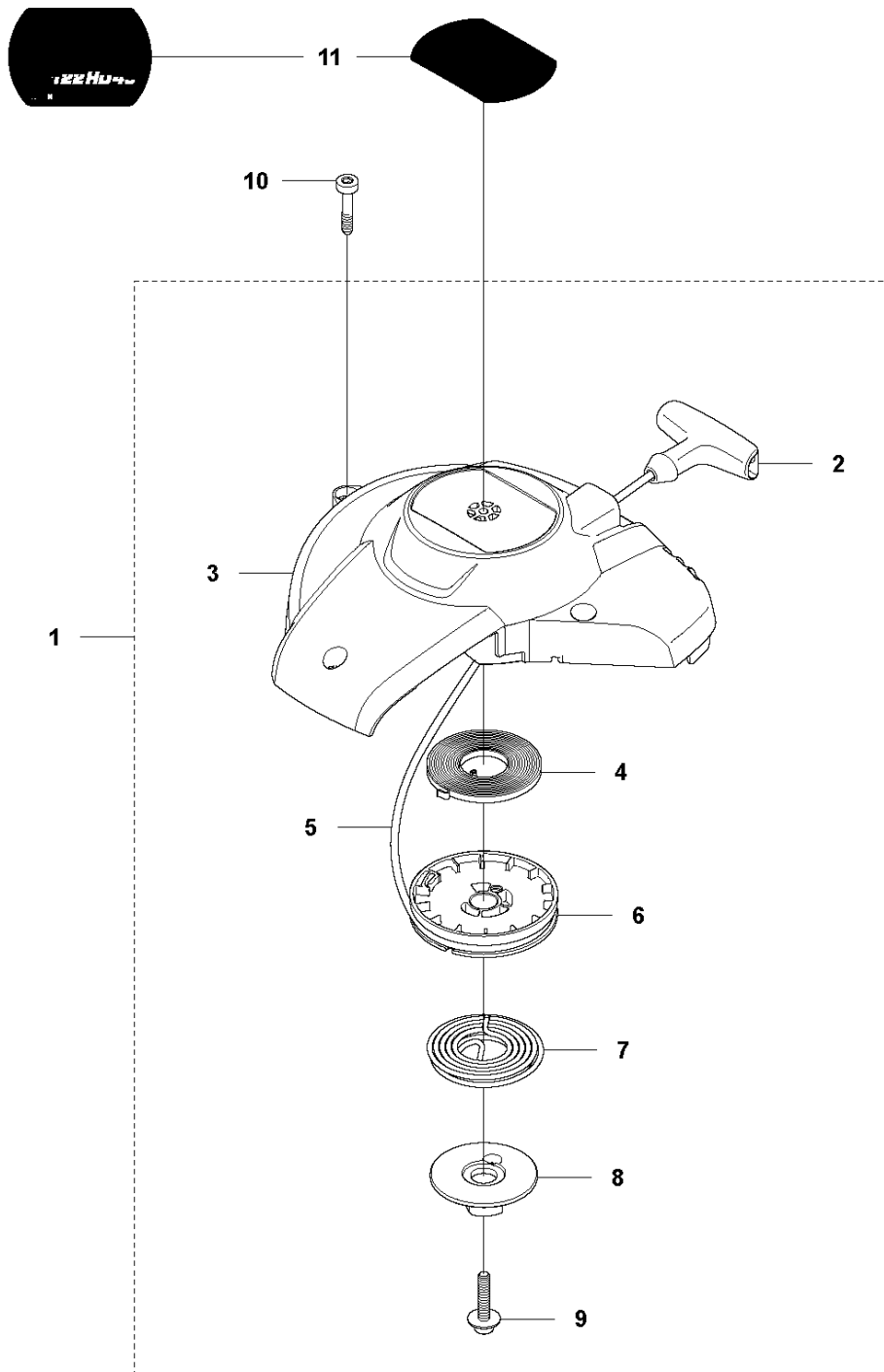


SPARE PARTS LIST

HEDGE TRIMMERS/POLE HEDGE
TRIMMERS

122 HD45

A 122HD45
STARTER

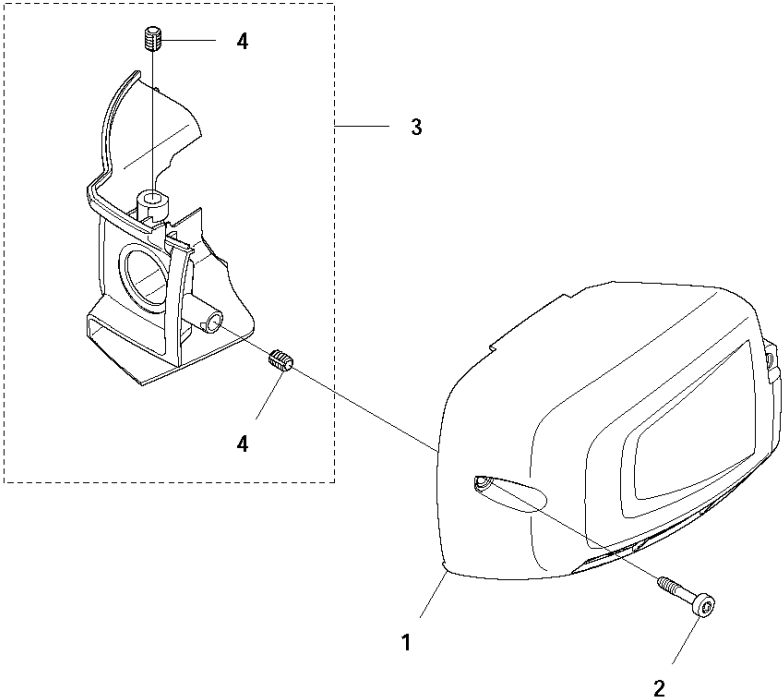


STARTER

122 HD45

| Ref | Part No | Description | Remark | QTY | KIT |
|-----|--------------|-----------------|--------|-----|-----|
| 1 | 523 00 92-01 | STARTER ASSY | | 1 | |
| 2 | 575 48 95-01 | STARTER HANDLE | | 1 | 1 |
| 3 | 523 00 99-01 | STARTER HOUSING | | 1 | 1 |
| 4 | 575 89 64-01 | SPRING | | 1 | 1 |
| 5 | 574 28 69-02 | STARTER CORD | | 1 | 1 |
| 6 | 523 01 07-01 | STARTER PULLEY | | 1 | 1 |
| 7 | 523 01 10-01 | SPRING | | 1 | 1 |
| 8 | 523 01 12-01 | DRIVER | | 1 | 1 |
| 9 | 577 22 61-03 | SCREW ITXSCT | | 1 | 1 |
| 10 | 504 08 80-01 | SCREW ITXSCM | | 4 | |
| 11 | 576 12 08-01 | DECAL | | 1 | |

B 122HD45
CYLINDER COVER

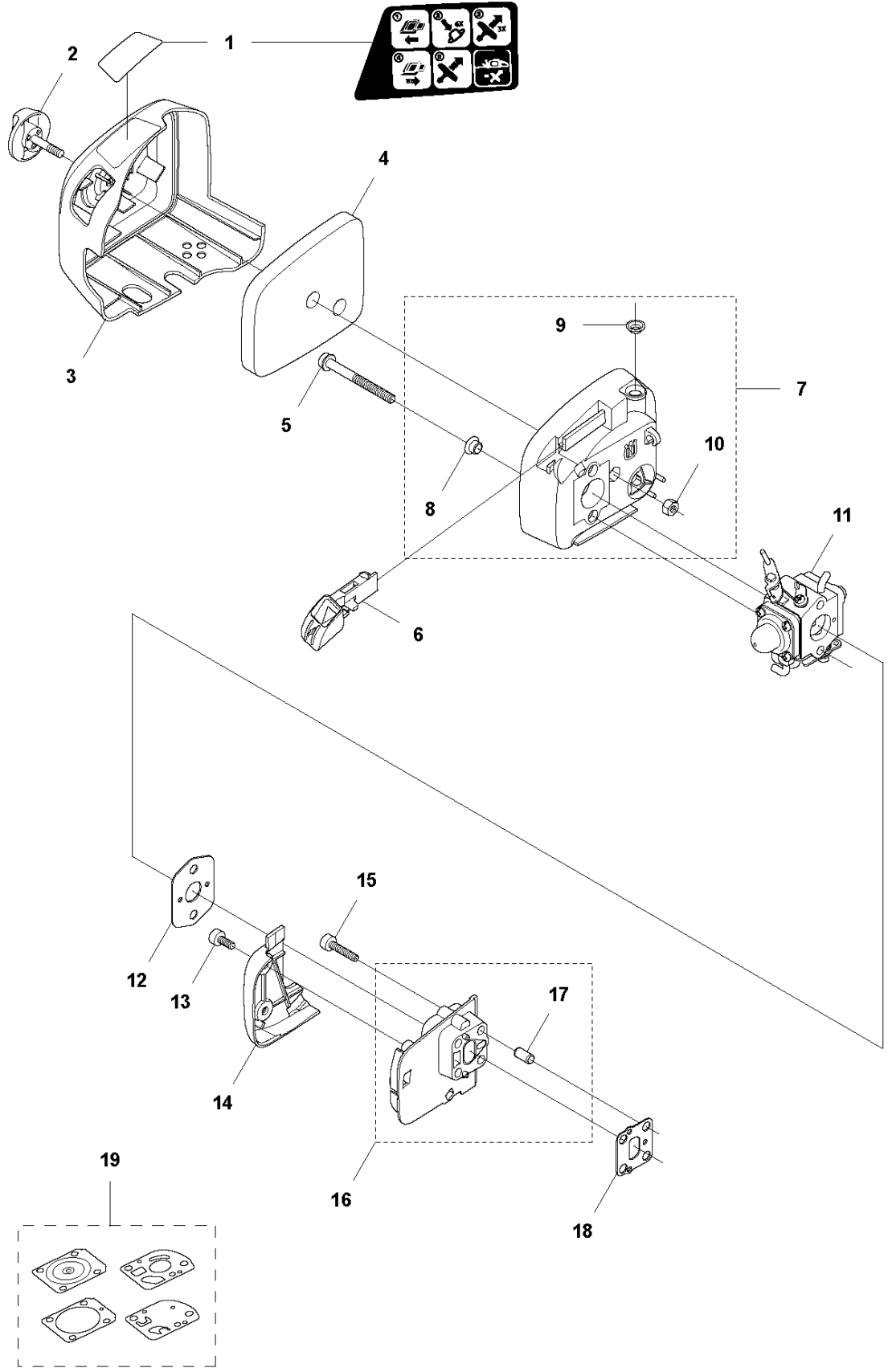


CYLINDER COVER

122 HD45

| Ref | Part No | Description | Remark | QTY | KIT |
|-----|--------------|---------------------|--------|-----|-----|
| 1 | 525 74 47-01 | HEAT PROTECTOR | | 1 | |
| 2 | 504 08 80-01 | SCREW ITXSCM | | 2 | |
| 3 | 575 43 47-01 | CYLINDER COVER ASSY | | 1 | |
| 4 | 575 43 46-01 | THREAD BUSHING | | 2 | 3 |

C 122HD45
CARBURETOR & AIRFILTER

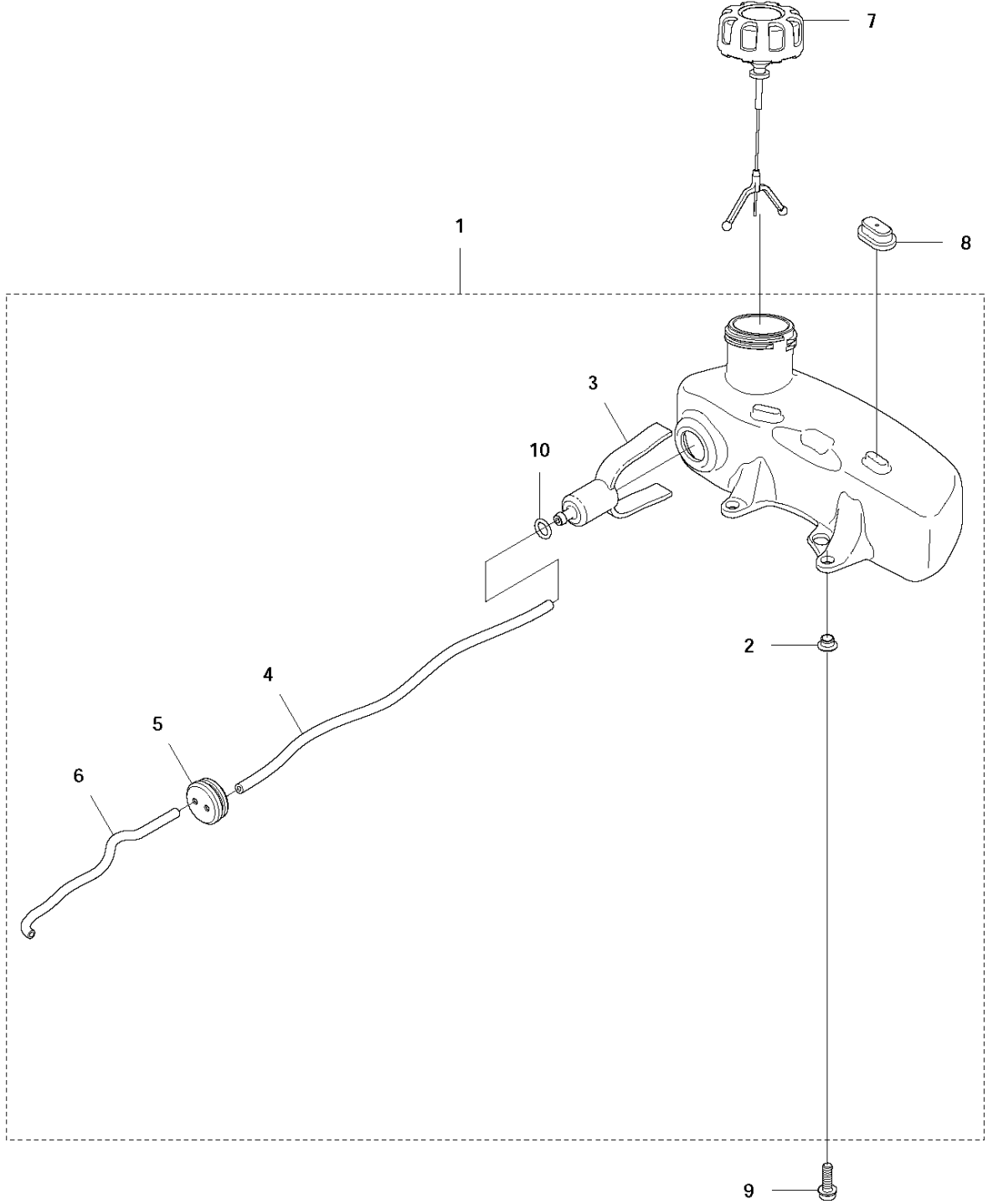


CARBURETOR & AIR FILTER

122 HD45

| Ref | Part No | Description | Remark | QTY | KIT |
|-----|--------------|--------------------|--------|-----|-----|
| 1 | 576 64 56-01 | DECAL | | 1 | |
| 2 | 537 21 32-09 | KNOB | | 1 | |
| 3 | 523 01 31-01 | AIR FILTER COVER | | 1 | |
| 4 | 523 01 34-01 | AIR FILTER | | 1 | |
| 5 | 573 92 58-02 | SCREW ITXSCFT | | 2 | |
| 6 | 523 01 25-01 | CHOKE | | 1 | |
| 7 | 523 01 27-01 | FILTER HOLDER ASSY | | 1 | |
| 8 | 544 10 58-02 | TUBULAR RIVET | | 2 | 7 |
| 9 | 544 10 58-03 | TUBULAR RIVET | | 1 | 7 |
| 10 | 731 23 14-01 | HEXAGON NUT | | 1 | 7 |
| 11 | 523 01 24-01 | CARBURETTOR | | 1 | |
| 12 | 525 54 85-01 | GASKET | | 1 | |
| 13 | 574 44 40-02 | SCREW ITXSCT | | 2 | |
| 14 | 576 27 75-01 | BRACKET | | 1 | |
| 15 | 525 76 09-04 | SCREW ITXSCM | | 4 | |
| 16 | 525 74 17-01 | MANIFOLD | | 1 | |
| 17 | 522 91 13-01 | TUBULAR RIVET | | 4 | 16 |
| 18 | 522 91 85-01 | GASKET | | 1 | |
| 19 | 588 98 60-01 | KIT | | 1 | |

D 122HD45
FUEL TANK

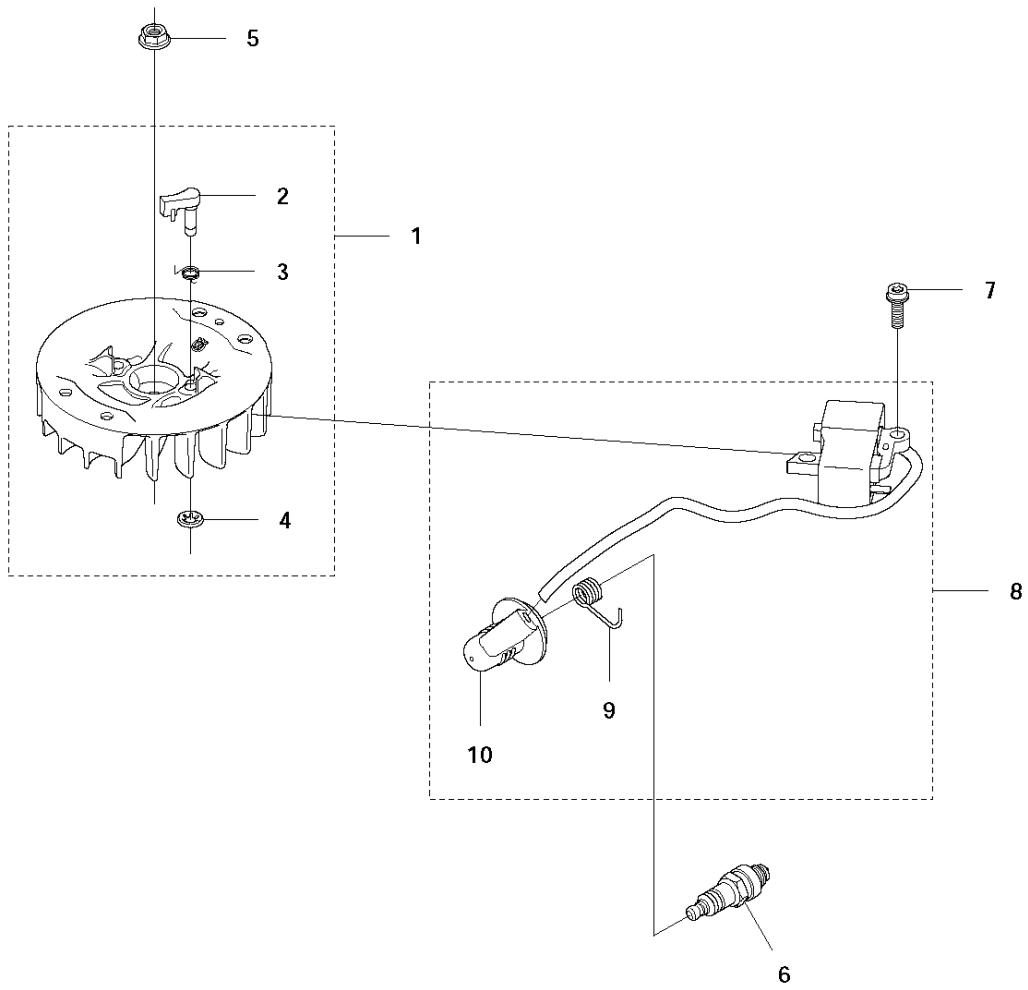


FUEL TANK

122 HD45

| Ref | Part No | Description | Remark | QTY | KIT |
|-----|--------------|--------------------|--------|-----|-----|
| 1 | 523 01 42-03 | TANK ASSY | | 1 | |
| 2 | 544 10 58-02 | TUBULAR RIVET | | 2 | 1 |
| 3 | 574 60 39-01 | FUEL FILTER | | 1 | 1 |
| 4 | 544 32 50-02 | FUEL HOSE | 300mm | 1 | 1 |
| 5 | 575 55 38-01 | GROMMET | | 1 | 1 |
| 6 | 574 60 02-01 | HOSE | 150mm | 1 | 1 |
| 7 | 504 11 32-01 | TANK CAP | | 1 | |
| 8 | 525 82 20-01 | FUEL TANK ISOLATOR | | 2 | |
| 9 | 525 75 51-01 | SCREW ITXSCFM | | 2 | |
| 10 | 537 18 49-01 | O-RING | | 1 | |

E 122HD45
IGNITION SYSTEM

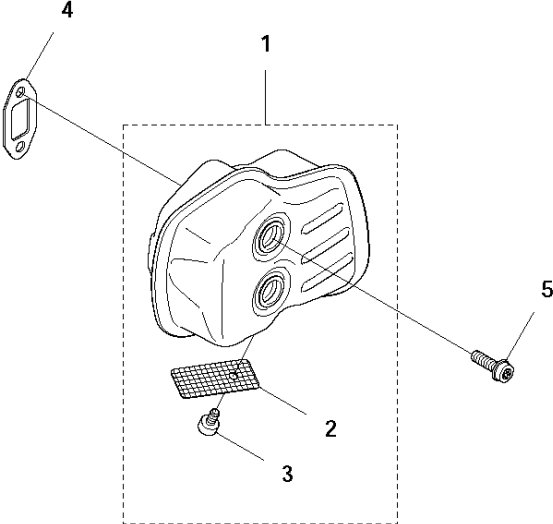


IGNITION SYSTEM

122 HD45

| Ref | Part No | Description | Remark | QTY KIT | |
|-----|--------------|--------------------|--------|---------|---|
| 1 | 525 73 95-01 | FLYWHEEL ASSY | | 1 | |
| 2 | 525 63 71-01 | STARTER PAWL | | 2 | 1 |
| 3 | 573 95 15-01 | SPRING | | 2 | 1 |
| 4 | 735 58 30-00 | WASHER | | 2 | 1 |
| 5 | 731 71 16-51 | HEXAGON NUT FLANGE | | 1 | |
| 6 | 590 71 02-01 | SPARK PLUG | | 1 | |
| 7 | 525 75 51-01 | SCREW ITXSCFM | | 2 | |
| 8 | 525 87 33-01 | IGNITION MODULE | | 1 | |
| 9 | 501 48 56-01 | CONTACT SPRING | | 1 | 8 |
| 10 | 577 57 25-01 | SPARK PLUG CAP | | 1 | 8 |

F 122HD45
MUFFLER

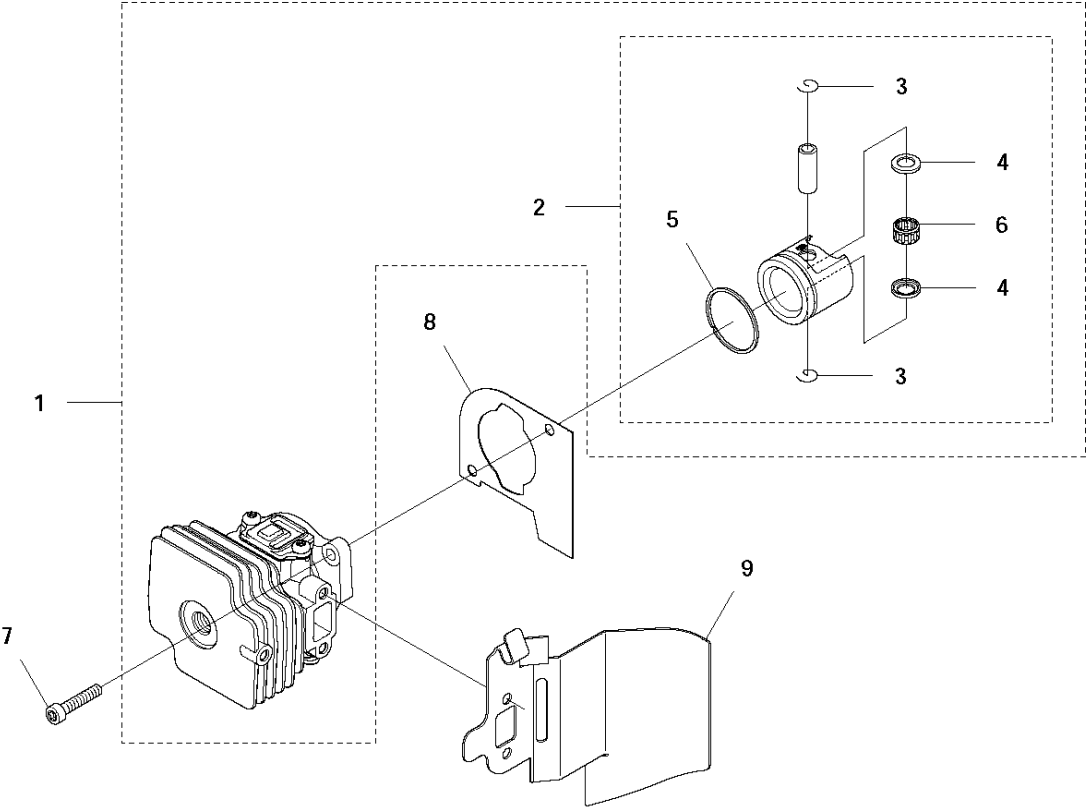


MUFFLER

122 HD45

| Ref | Part No | Description | Remark | QTY | KIT |
|-----|--------------|----------------|--------|-----|-----|
| 1 | 523 03 26-01 | MUFFLER ASSY | | 1 | |
| 2 | 525 74 16-01 | SPARK ARRESTER | | 1 | 1 |
| 3 | 504 08 79-01 | SCREW ITXSCM | | 1 | 1 |
| 4 | 522 99 73-01 | GASKET | | 1 | |
| 5 | 525 75 51-01 | SCREW ITXSCFM | | 2 | |

G 122HD45
CYLINDER & PISTON

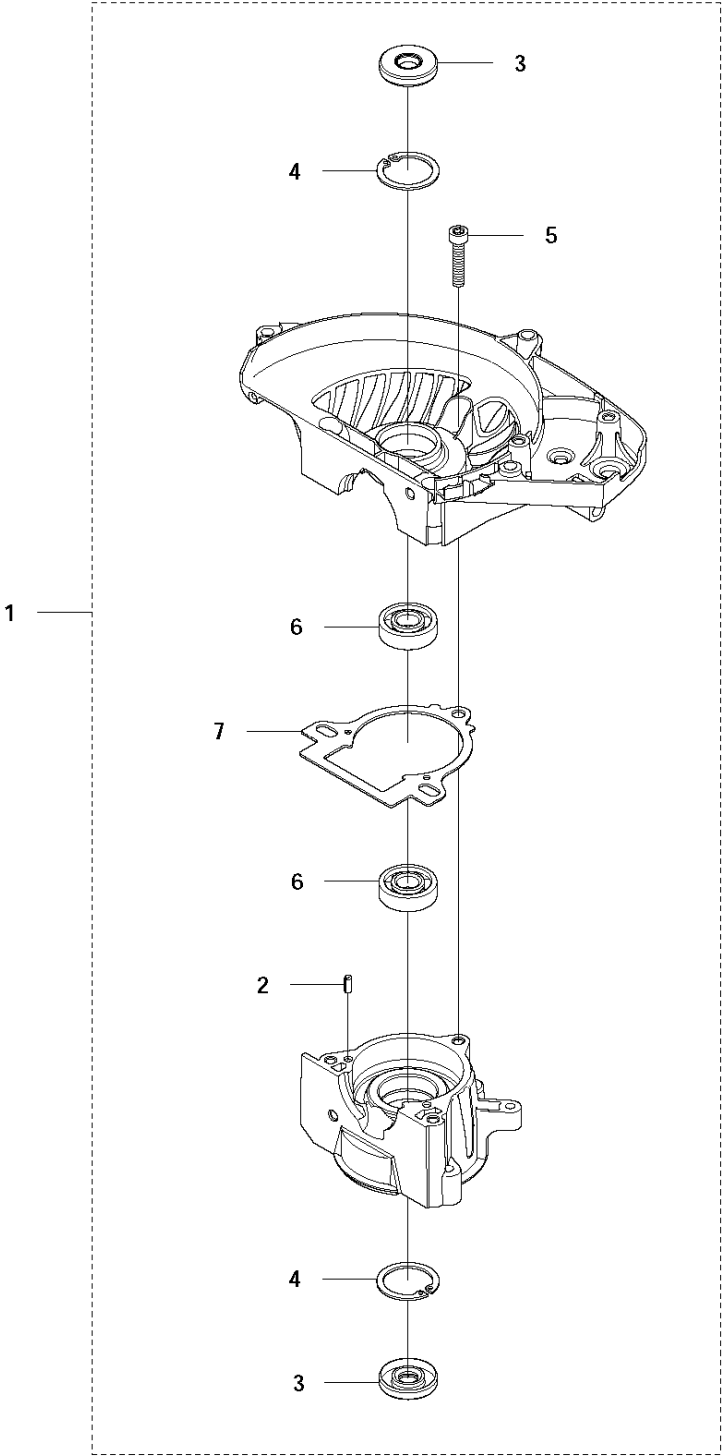


CYLINDER PISTON

122 HD45

| Ref | Part No | Description | Remark | QTY | KIT |
|-----|--------------|----------------|--------|-----|-----|
| 1 | 577 38 03-01 | CYLINDER | | 1 | |
| 2 | 510 22 36-02 | PISTON ASSY | | 1 | 1 |
| 3 | 737 44 08-00 | CIRCLIP | | 2 | 1,2 |
| 4 | 525 57 77-01 | WASHER | | 2 | 1,2 |
| 5 | 505 15 58-01 | PISTON RING | | 1 | 1,2 |
| 6 | 575 50 49-01 | NEEDLE BEARING | | 1 | 1,2 |
| 7 | 525 82 50-01 | SCREW ITXSCM | | 2 | |
| 8 | 525 52 21-01 | GASKET | | 1 | |
| 9 | 523 01 35-01 | HEAT DEFLECTOR | | 1 | |

H 122HD45
CRANKCASE

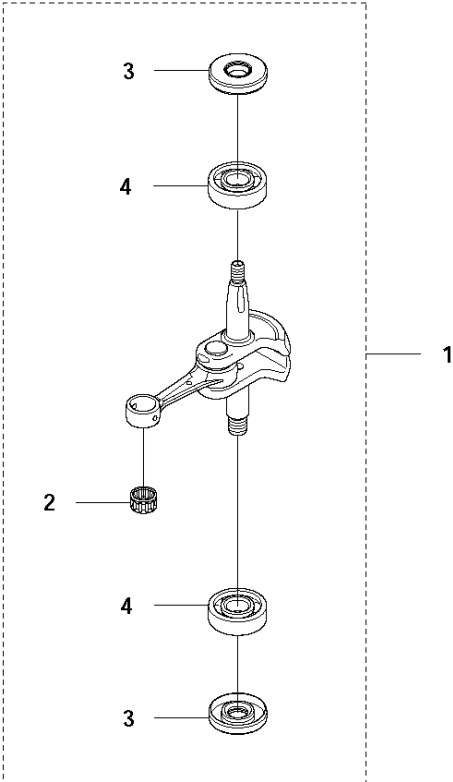


CRANKCASE

122 HD45

| Ref | Part No | Description | Remark | QTY | KIT |
|-----|--------------|--------------|--------|-----|-----|
| 1 | 577 66 99-01 | CRANKCASE | | 1 | |
| 2 | 525 86 38-01 | PIN | | 2 | 1 |
| 3 | 525 63 73-01 | SEALING RING | | 2 | 1 |
| 4 | 735 31 27-10 | CIRCLIP | | 2 | 1 |
| 5 | 525 82 50-01 | SCREW ITXSCM | | 3 | 1 |
| 6 | 525 72 84-01 | BALL BEARING | | 2 | 1 |
| 7 | 525 52 19-01 | GASKET | | 1 | 1 |

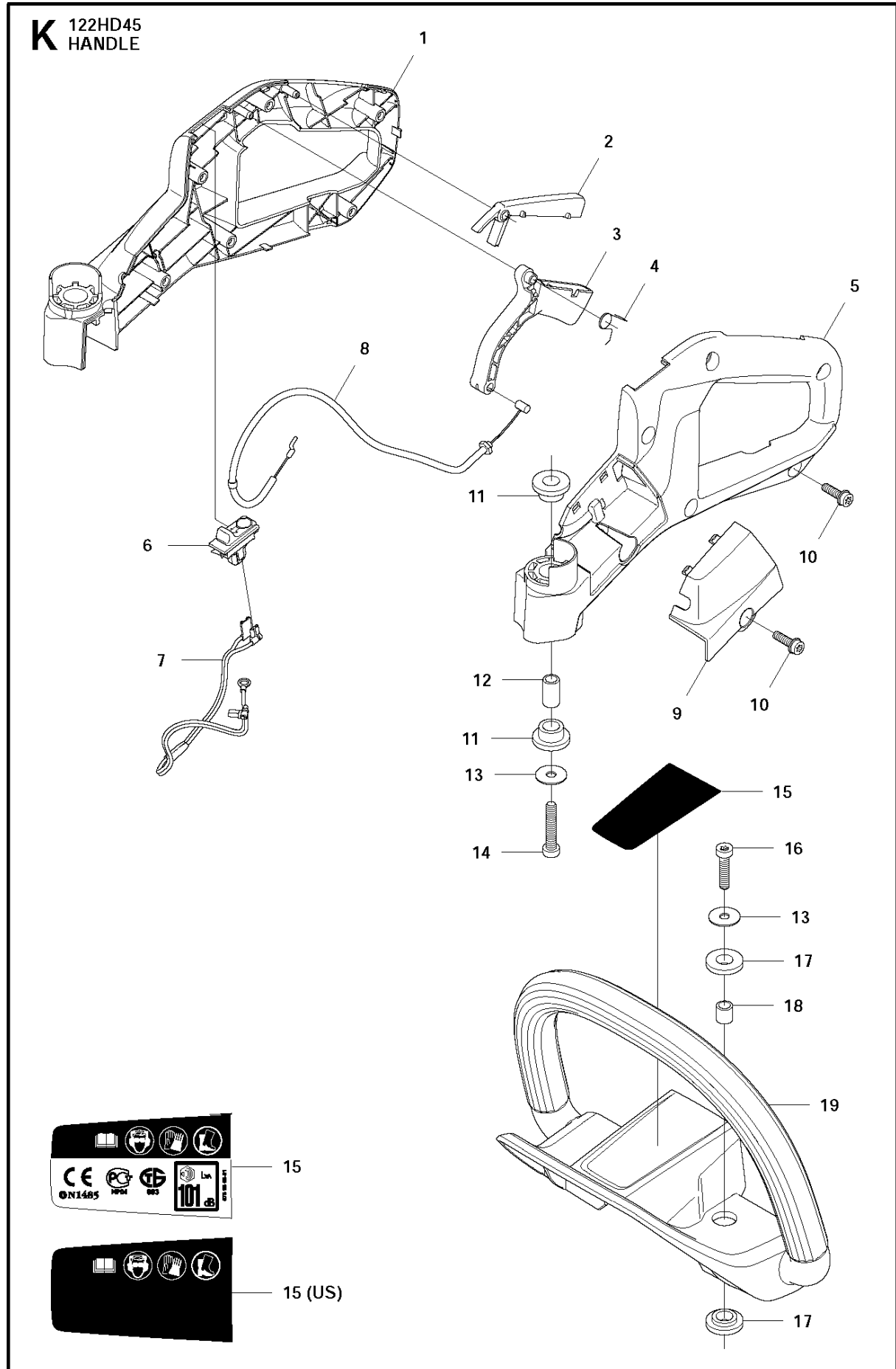
J 122HD45
CRANK SHAFT



CRANKSHAFT

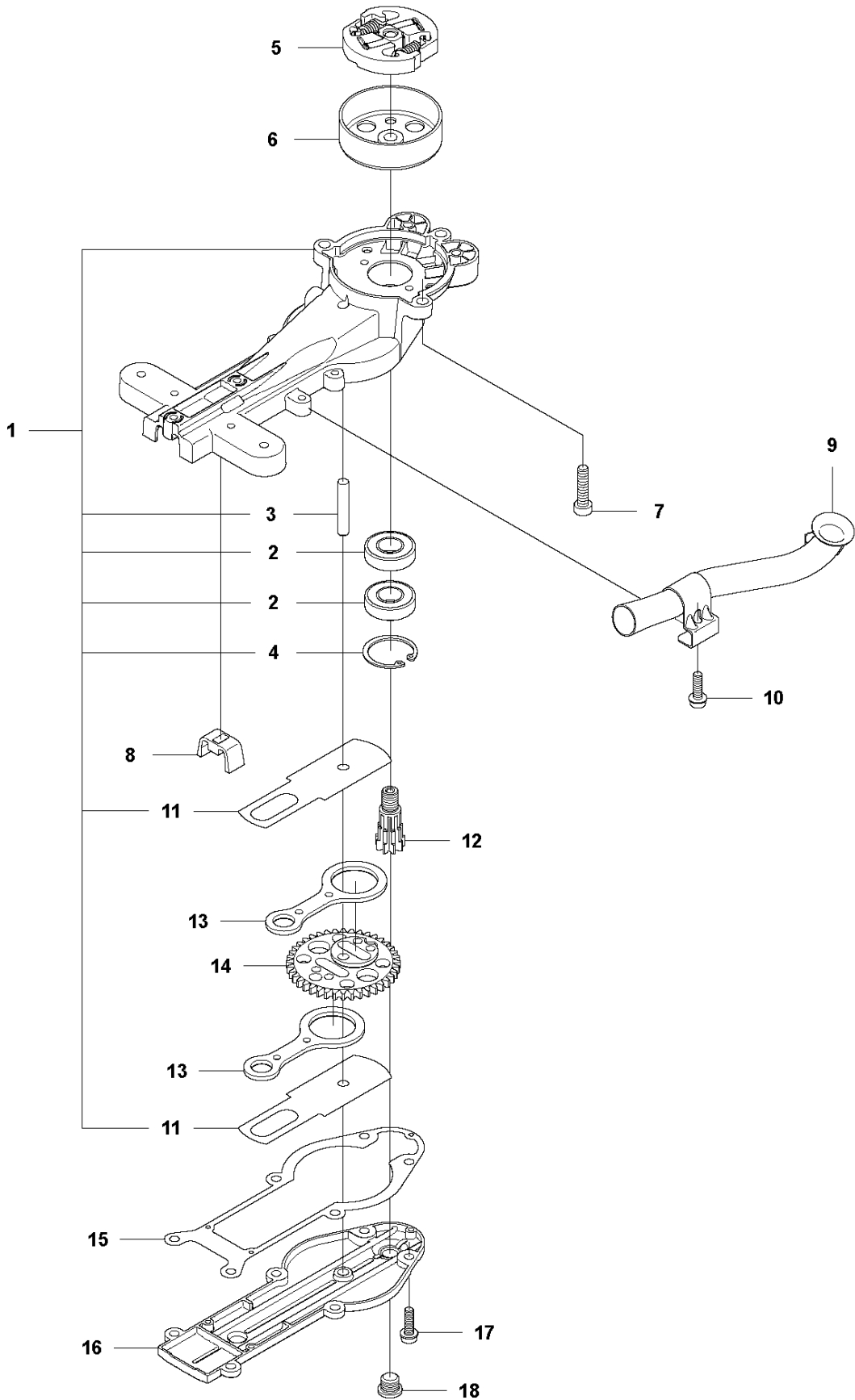
122 HD45

| Ref | Part No | Description | Remark | QTY | KIT |
|-----|--------------|----------------|--------|-----|-----|
| 1 | 577 67 00-01 | CRANKSHAFT KIT | | 1 | |
| 2 | 575 50 49-01 | NEEDLE BEARING | | 1 | 1 |
| 3 | 525 63 73-01 | SEALING RING | | 2 | 1 |
| 4 | 525 72 84-01 | BALL BEARING | | 2 | 1 |



| Ref | Part No | Description | Remark | QTY KIT |
|-----|--------------|-----------------------|--------|---------|
| 1 | 576 54 74-01 | REAR HANDLE | | 1 |
| 2 | 504 08 97-01 | THROTTLE LOCKOUT | | 1 |
| 3 | 504 08 94-01 | THROTTLE CONTROL | | 1 |
| 4 | 504 08 96-01 | SPRING | | 1 |
| 5 | 576 54 73-01 | REAR HANDLE | | 1 |
| 6 | 537 41 90-01 | SWITCH | | 1 |
| 7 | 574 48 88-02 | SHORT CIRCUIT CABLE | | 1 |
| 8 | 575 57 21-01 | THROTTLE CABLE ASSY | | 1 |
| 9 | 576 76 88-01 | LID | | 1 |
| 10 | 573 92 58-01 | SCREW ITXSCFT | | 6 |
| 11 | 525 63 35-01 | ANTIVIBRATION ELEMENT | | 4 |
| 12 | 525 63 37-01 | SLEEVE | | 2 |
| 13 | 734 18 14-55 | WASHER | | 4 |
| 14 | 544 21 84-05 | SCREW ITXSCM | | 2 |
| 15 | 587 13 00-02 | LABEL | | 1 |
| 16 | 544 21 84-03 | SCREW ITXSCM | | 2 |
| 17 | 525 63 36-01 | ANTIVIBRATION ELEMENT | | 4 |
| 18 | 525 63 38-01 | SLEEVE | | 2 |
| 19 | 504 09 12-01 | HANDLE | | 1 |

L 122HD45
CLUTCH & GEARBOX

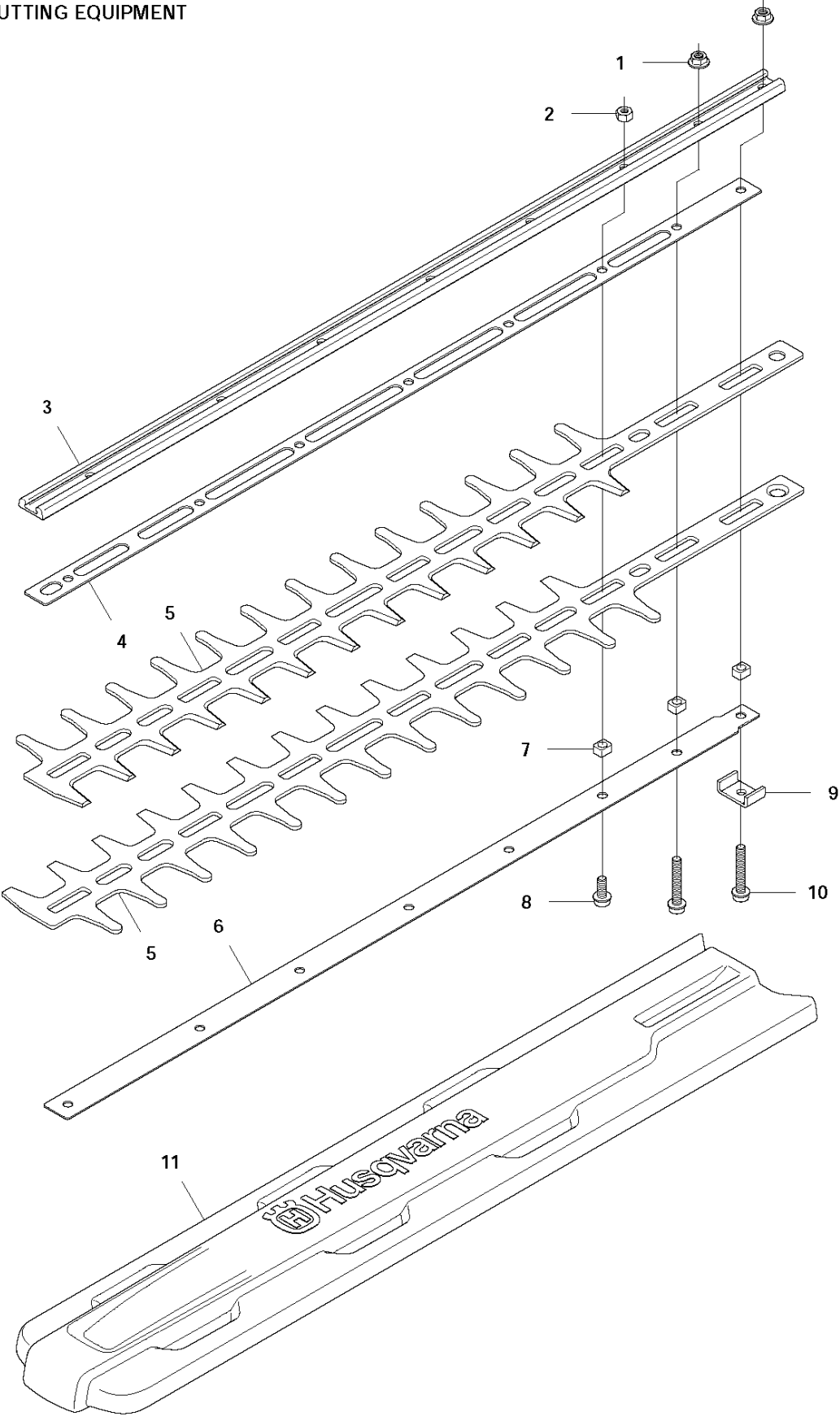


CLUTCH & GEARBOX

122 HD45

| Ref | Part No | Description | Remark | QTY | KIT |
|-----|--------------|-------------------|--------|-----|-----|
| 1 | 597 76 82-01 | GEAR HOUSING ASSY | | 1 | |
| 2 | 738 21 01-04 | BALL BEARING | | 2 | 1 |
| 3 | 525 52 81-01 | PEN | | 1 | 1 |
| 4 | 506 44 93-01 | CIRCLIP | | 1 | 1 |
| 5 | 504 08 47-01 | CLUTCH ASSY | | 1 | |
| 6 | 525 52 84-01 | CLUTCH DRUM ASSY | | 1 | |
| 7 | 544 21 84-03 | SCREW ITXSCM | | 3 | |
| 8 | 575 65 99-01 | GASKET | | 1 | |
| 9 | 523 01 36-01 | EXHAUST PIPE ASSY | | 1 | |
| 10 | 525 75 51-01 | SCREW ITXSCFM | | 1 | |
| 11 | 525 52 82-01 | WEAR PLATE | | 2 | |
| 12 | 525 52 89-01 | GEAR WHEEL SHAFT | | 1 | |
| 13 | 525 52 87-01 | CONNECTING ROD | | 2 | |
| 14 | 525 52 88-01 | GEAR WHEEL | | 1 | |
| 15 | 525 52 90-01 | GASKET | | 1 | |
| 16 | 525 52 83-01 | HUB CAP | | 1 | |
| 17 | 525 75 51-01 | SCREW ITXSCFM | | 6 | |
| 18 | 575 48 41-01 | PLUG | | 1 | |

M 122HD45
CUTTING EQUIPMENT

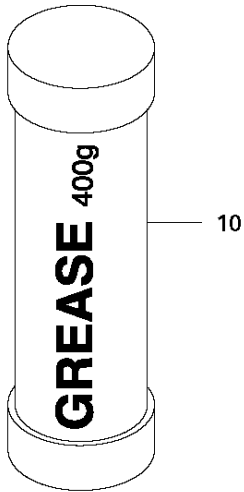
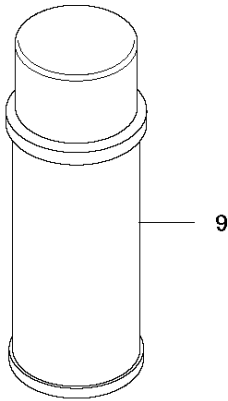
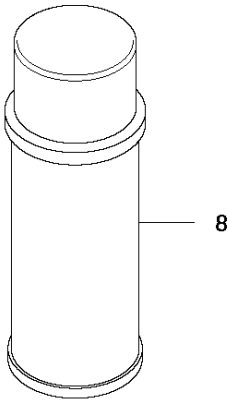
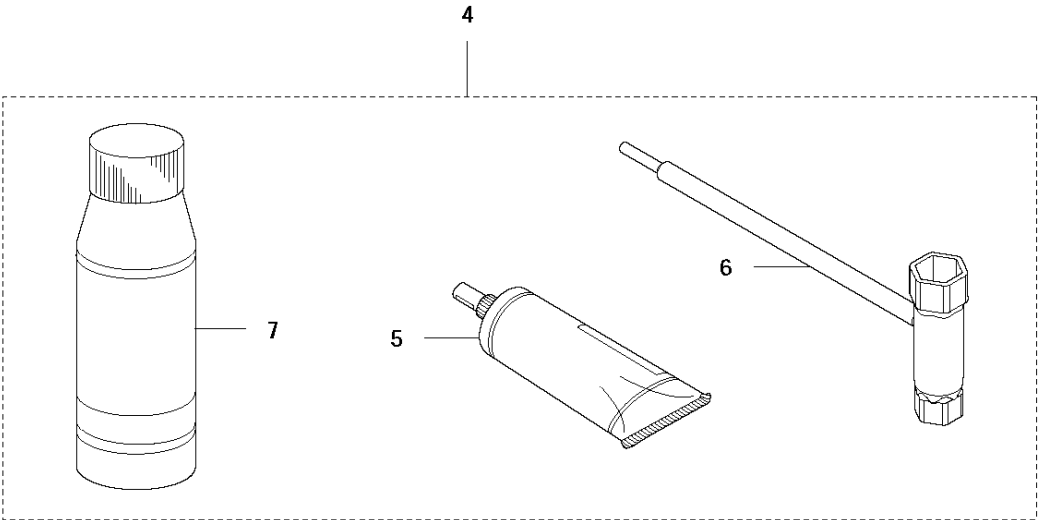
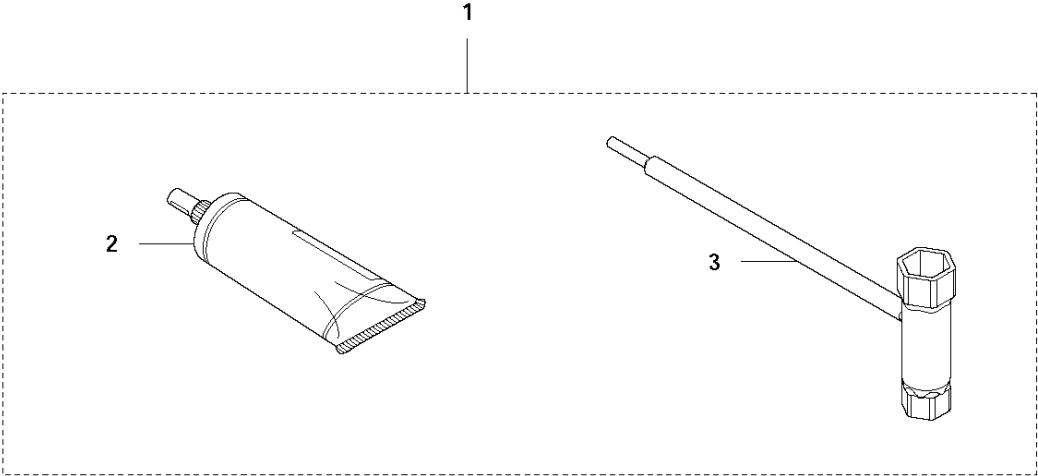


CUTTING EQUIPMENT

122 HD45

| Ref | Part No | Description | Remark | QTY KIT |
|-----|--------------|--------------------|--------|---------|
| 1 | 731 71 14-51 | HEXAGON NUT FLANGE | | 2 |
| 2 | 731 23 14-01 | HEXAGON NUT | | 6 |
| 3 | 525 35 08-01 | BAR | | 1 |
| 4 | 525 35 16-01 | WEAR PLATE | | 1 |
| 5 | 525 35 14-01 | BLADE | | 2 |
| 6 | 525 35 11-01 | BAR | | 1 |
| 7 | 525 35 19-01 | SPACER | | 8 |
| 8 | 525 75 51-05 | SCREW ITXSCFM | | 6 |
| 9 | 525 35 20-01 | BRACKET | | 1 |
| 10 | 525 75 51-03 | SCREW ITXSCFM | | 2 |
| 11 | 504 08 85-01 | TRANSPORT GUARD | | 1 |

N 122HD45
ACCESSORIES



ACCESSORIES

122 HD45

| Ref | Part No | Description | Remark | QTY | KIT |
|-----|--------------|--------------------|---------------------|-----|-----|
| 1 | 577 50 12-01 | ACCESSORY BAG | | 1 | |
| 2 | 577 76 56-01 | GREASE | | 1 | 1 |
| 3 | 575 73 82-01 | COMBINATION WRENCH | | 1 | 1 |
| 4 | 577 50 12-02 | ACCESSORY BAG | US | 1 | |
| 5 | 577 76 56-01 | GREASE | | 1 | 4 |
| 6 | 575 73 82-01 | COMBINATION WRENCH | | 1 | 4 |
| 7 | 530 03 02-70 | OIL | OIL (BLUE CAP) XP 2 | 1 | 4 |
| 8 | 544 14 22-01 | GREASE | UL22 | 1 | |
| 9 | 544 14 21-01 | GREASE | UL21 | 1 | |
| 10 | 588 81 48-01 | GREASE | Shell Gardus | 1 | |