

PXM_SPAREPARTCATALOG
CHAIN SAWS: HUSQVARNA 130

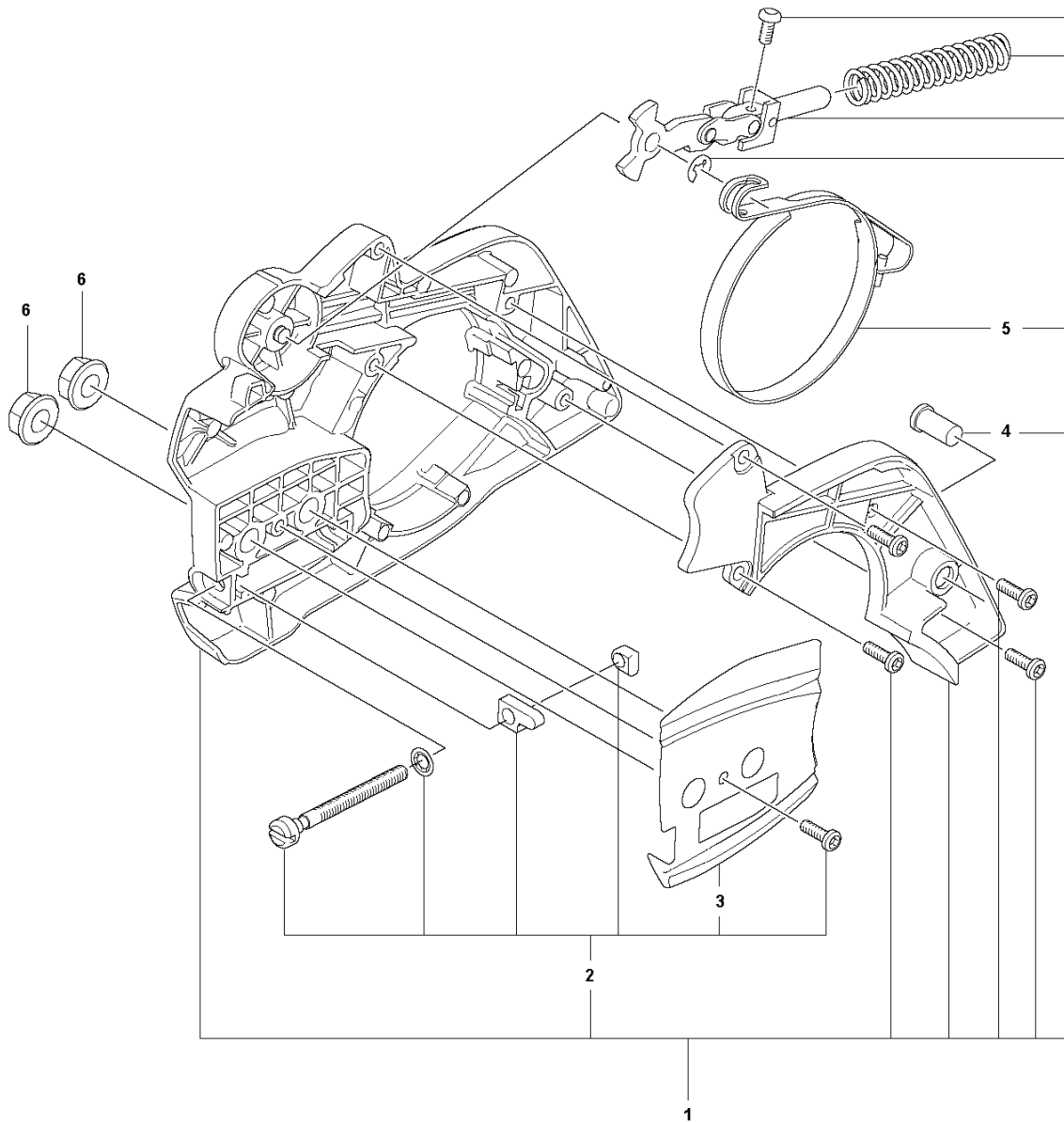
Spare Parts List

SPARE PARTS LIST

CHAIN SAWS

HUSQVARNA 130

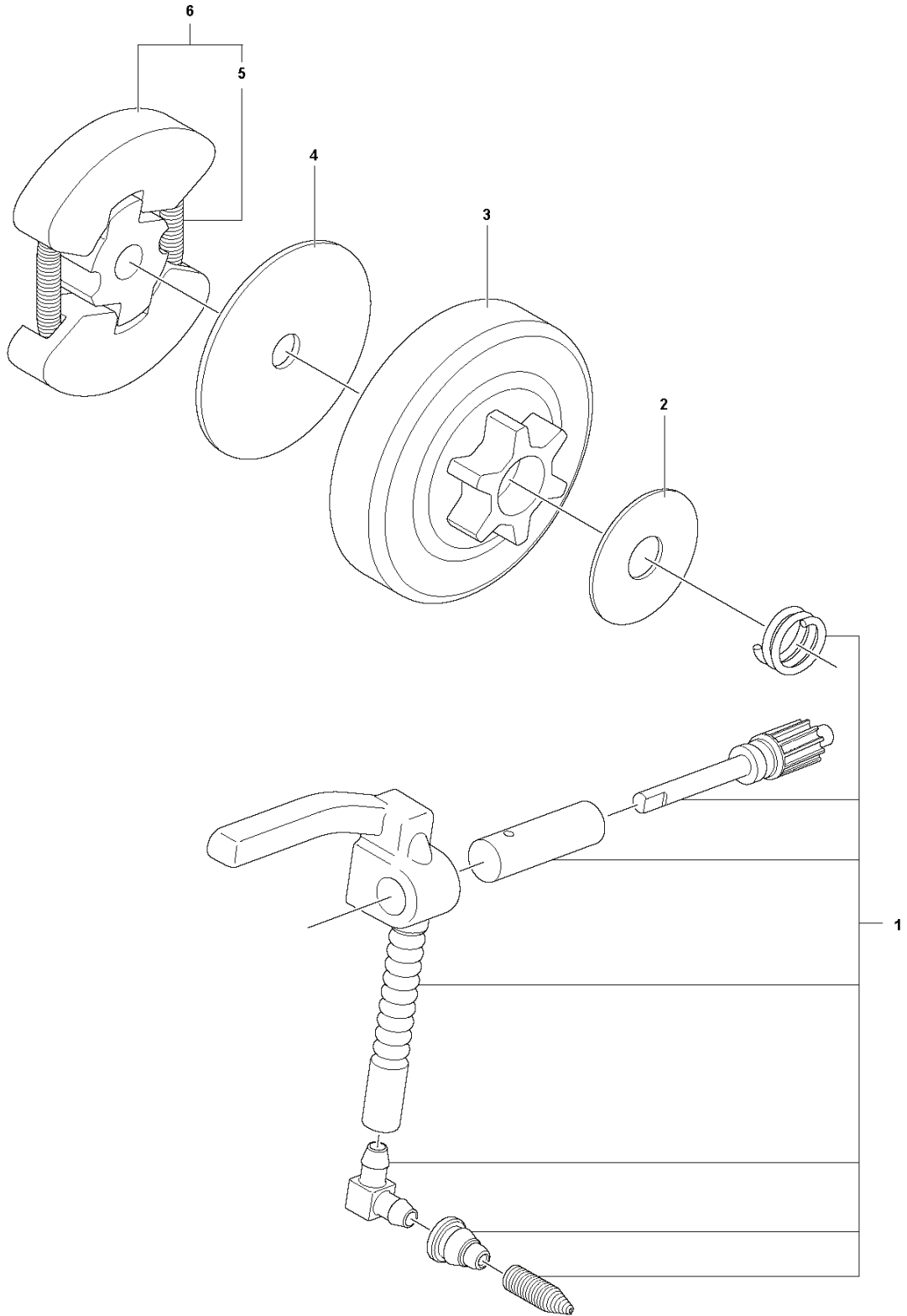
B 130
CHAIN BRAKE & CLUTCH COVER



CHAIN SAWS

| PXM_REF | PXM_PARTNO | PXM_DESCRIPTION | PXM_REMARK | QTY. | |
|---------|------------|-----------------|--------------|------|-----|
| 1 | 591464701 | SERVICE KIT | Clutch Cover | 1 | |
| 2 | 591464601 | SERVICE KIT | Bar Adjuster | 1 | 1 |
| 3 | 582647601 | GUIDE PLATE | | 1 | 1,2 |
| 4 | 590439601 | GUIDE BUSHING | | 1 | |
| 5 | 544306001 | BRAKE BAND ASSY | | 1 | 1 |
| 6 | 530015917 | NUT | | 2 | |

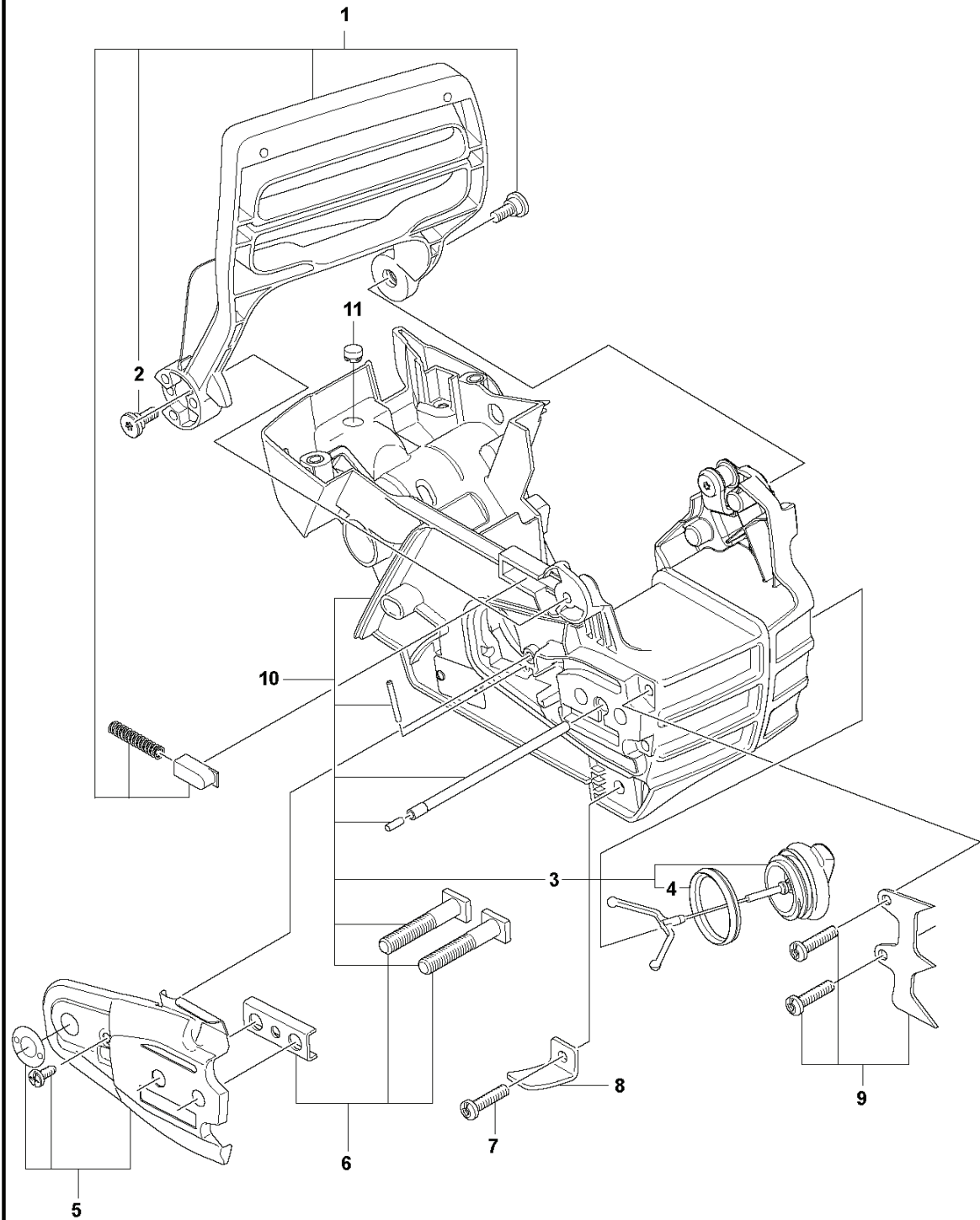
C 130
CLUTCH & OIL PUMP



CHAIN SAWS

| PXM_REF | PXM_PARTNO | PXM_DESCRIPTION | PXM_REMARK | QTY. |
|---------|------------|------------------|------------|------|
| 1 | 591466801 | SERVICE KIT | OIL PUMP | 1 |
| 2 | 579621501 | WASHER | | 1 |
| 3 | 582598401 | CLUTCH DRUM ASSY | | 1 |
| 4 | 530015611 | WASHER | | 1 |
| 5 | 599588501 | SPRING | | 1 6 |
| 6 | 599588601 | CLUTCH | | 1 |

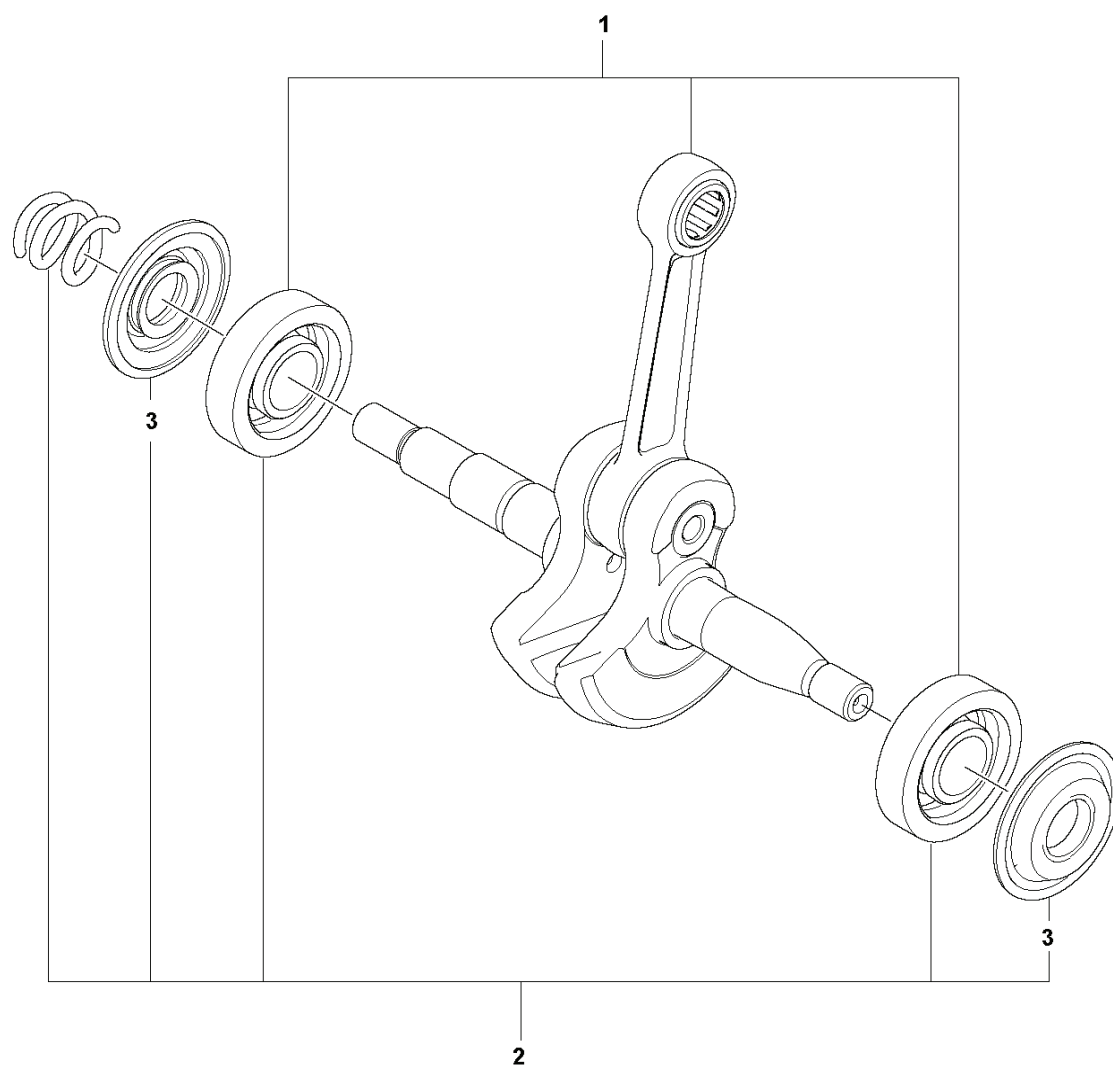
D 130
CRANKCASE



CHAIN SAWS

| PXM_REF | PXM_PARTNO | PXM_DESCRIPTION | PXM_REMARK | QTY. |
|---------|------------|-----------------|--------------------|--------|
| 1 | 591464801 | SERVICE KIT | Hand Guard | 1 |
| 2 | 545127301 | BOSS | SCREW | 2 |
| 3 | 544111203 | TANK CAP ASSY | | 1 10 |
| 4 | 589241101 | GASKET | | 1 3,10 |
| 5 | 591464901 | SERVICE KIT | Bar Plate | 1 |
| 6 | 591465001 | SERVICE KIT | Bar Bolt | 1 |
| 7 | 530016432 | SCREW | | 1 |
| 8 | 530029850 | CHAIN CATCHER | | 1 |
| 9 | 530014381 | FELLING DOG | Spike Assembly Kit | 1 |
| 10 | 591465301 | SERVICE KIT | Chassis | 1 |
| 11 | 540057301 | SUPPORT | | 1 |

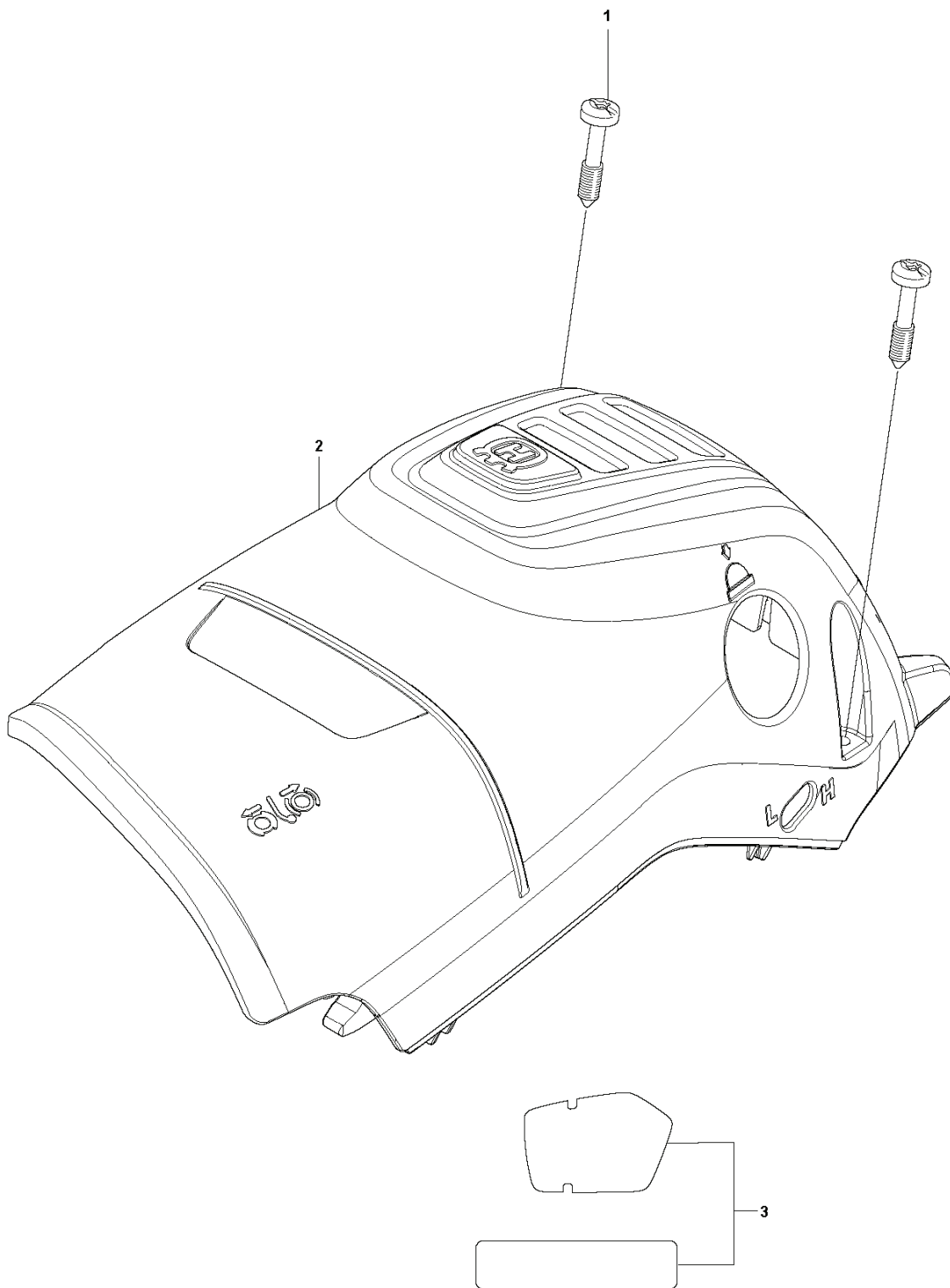
E 130
CRANKSHAFT



CHAIN SAWS

| PXM_REF | PXM_PARTNO | PXM_DESCRIPTION | PXM_REMARK | QTY. |
|---------|------------|-----------------|------------------------------|------|
| 1 | 588619601 | CRANKSHAFT ASSY | | 1 |
| 2 | 591465401 | BEARING KIT | CRANKSHAFT SEAL & BEARING | 1 |
| 3 | 595314101 | SEAL | | 2 |

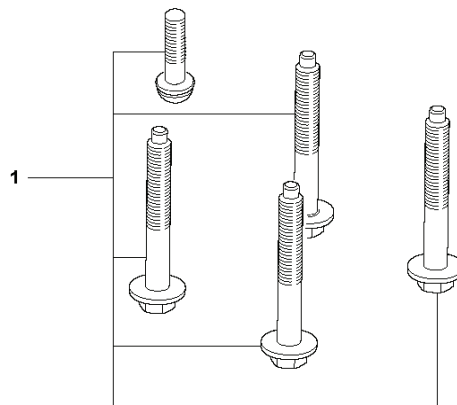
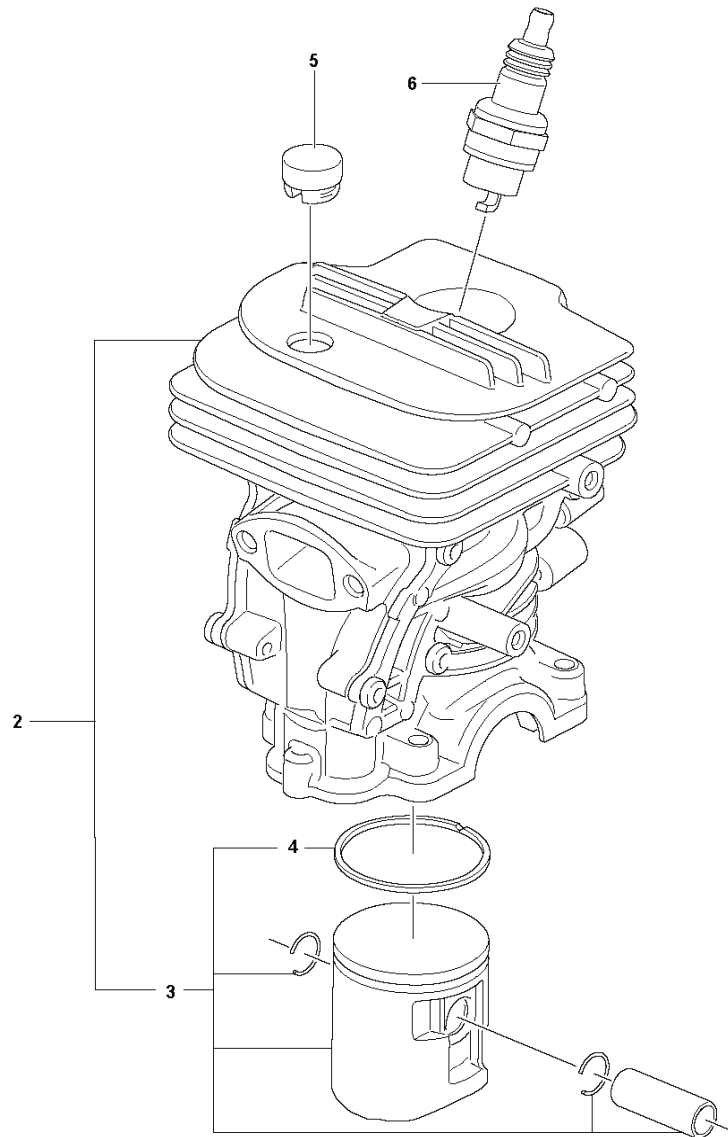
F 130
CYLINDER COVER



CHAIN SAWS

| PXM_REF | PXM_PARTNO | PXM_DESCRIPTION | PXM_REMARK | QTY. |
|---------|------------|-----------------|------------|------|
| 1 | 503203476 | SCREW | | 3 |
| 2 | 596394801 | COVER | CYLINDER | 1 |
| 3 | 591465501 | SERVICE KIT | DECAL KIT | 1 |

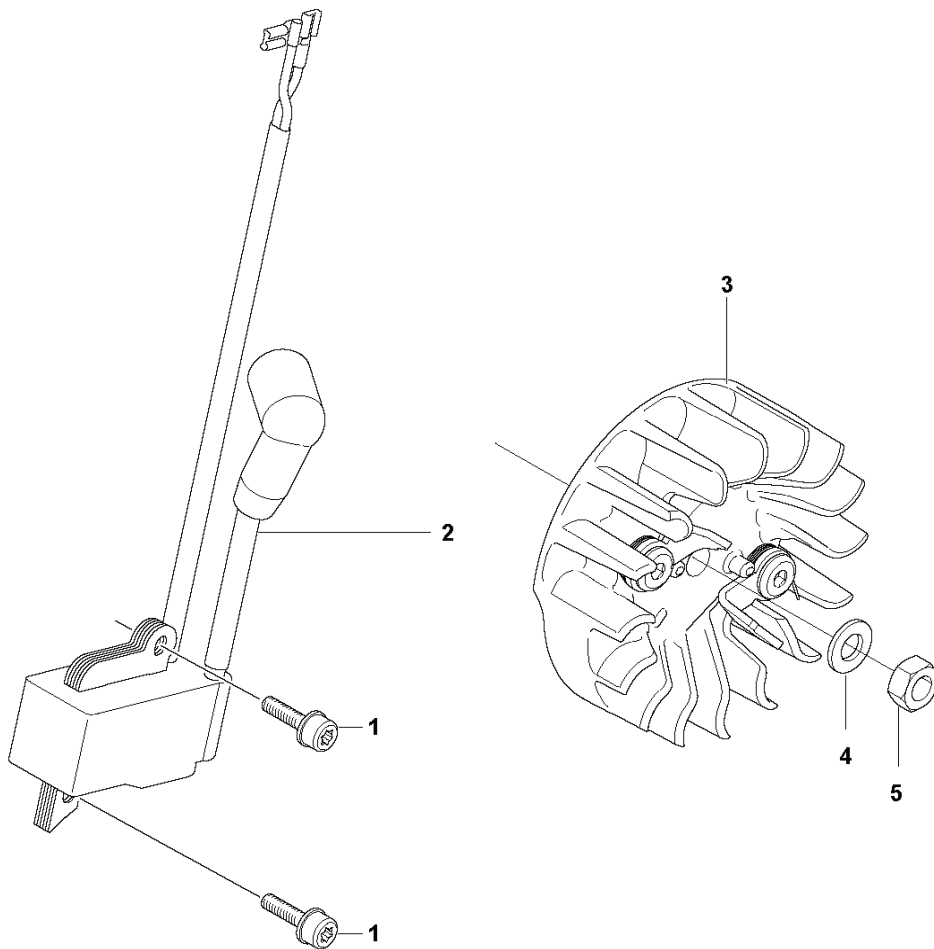
G 130
CYLINDER PISTON



CHAIN SAWS

| PXM_REF | PXM_PARTNO | PXM_DESCRIPTION | PXM_REMARK | QTY. |
|---------|------------|-----------------|-------------------|-------|
| 1 | 591465601 | SERVICE KIT | Cylinder Bolt | 1 |
| 2 | 591465701 | SERVICE KIT | Cylinder & Piston | 1 |
| 3 | 591465702 | SERVICE KIT | Piston Kit | 1 2 |
| 4 | 585040601 | PISTON RING | | 1 2.3 |
| 5 | 590409901 | SUPPORT | | 1 |
| 6 | 503235111 | SPARK PLUG | NGK BPMR7A | 1 |

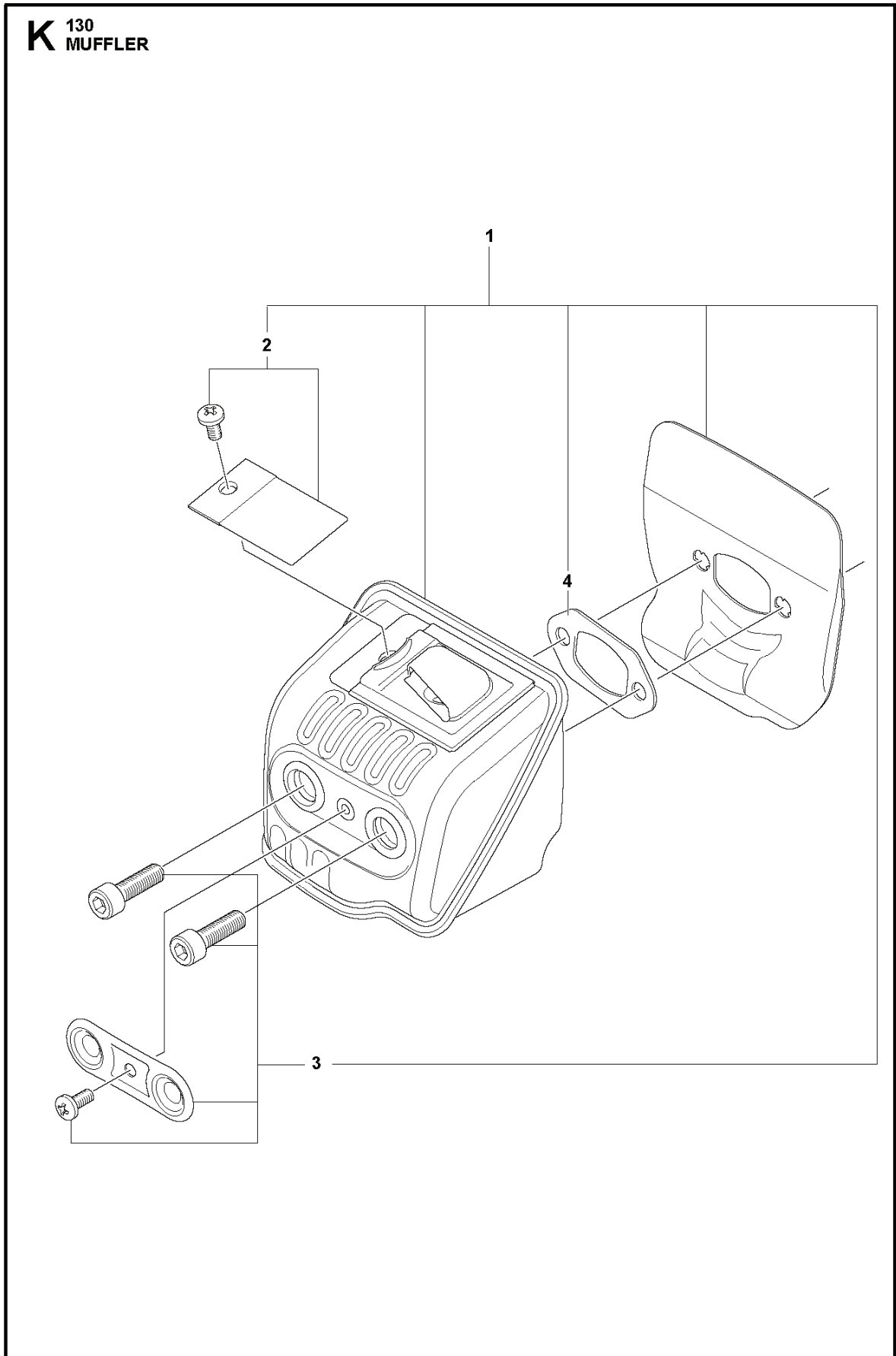
J 130
IGNITION SYSTEM



CHAIN SAWS

| PXM_REF | PXM_PARTNO | PXM_DESCRIPTION | PXM_REMARK | QTY. | |
|---------|------------|-----------------|--|------|---|
| 1 | 575962601 | SCREW | | 2 | 2 |
| 2 | 591466501 | SERVICE KIT | From s/n 20205100001 - | 1 | |
| 2 | 597564002 | MODULE | - up to s/n 20205099999 (incl screws) | 1 | |
| 3 | 544874202 | FLYWHEEL ASSY | | 1 | |
| 4 | 530015127 | WASHER | | 1 | |
| 5 | 530016134 | NUT | | 1 | |

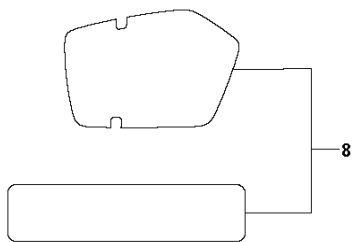
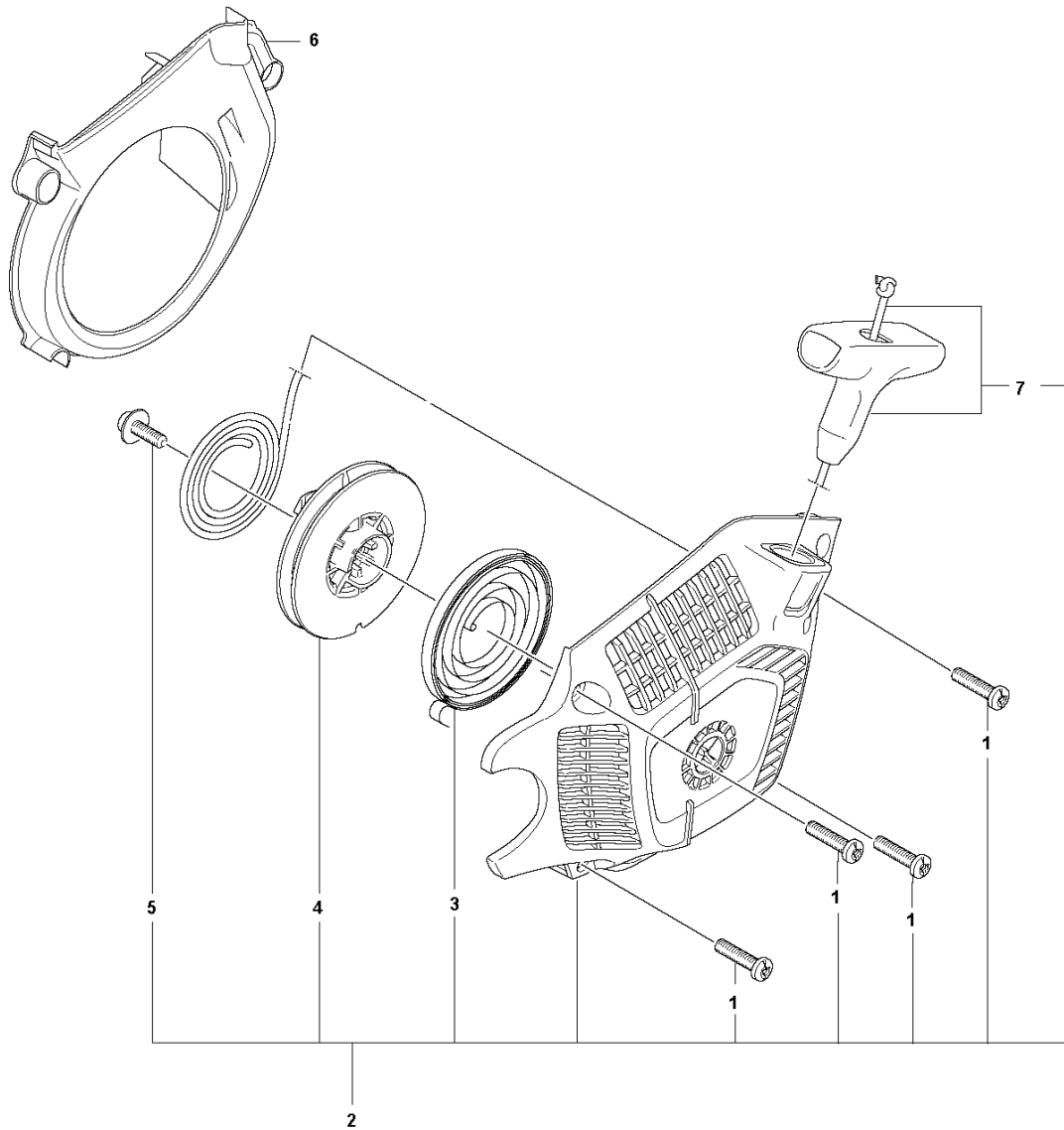
K 130
MUFFLER



CHAIN SAWS

| PXM_REF | PXM_PARTNO | PXM_DESCRIPTION | PXM_REMARK | QTY. | |
|---------|------------|-----------------|----------------|------|---|
| 1 | 501266203 | MUFFLER ASSY | | 1 | |
| 2 | 591175501 | SERVICE KIT | Spark Arrester | 1 | 1 |
| 3 | 591174601 | SCREW KIT | MUFFLER | 1 | 1 |
| 4 | 501619501 | GASKET | | 1 | 1 |

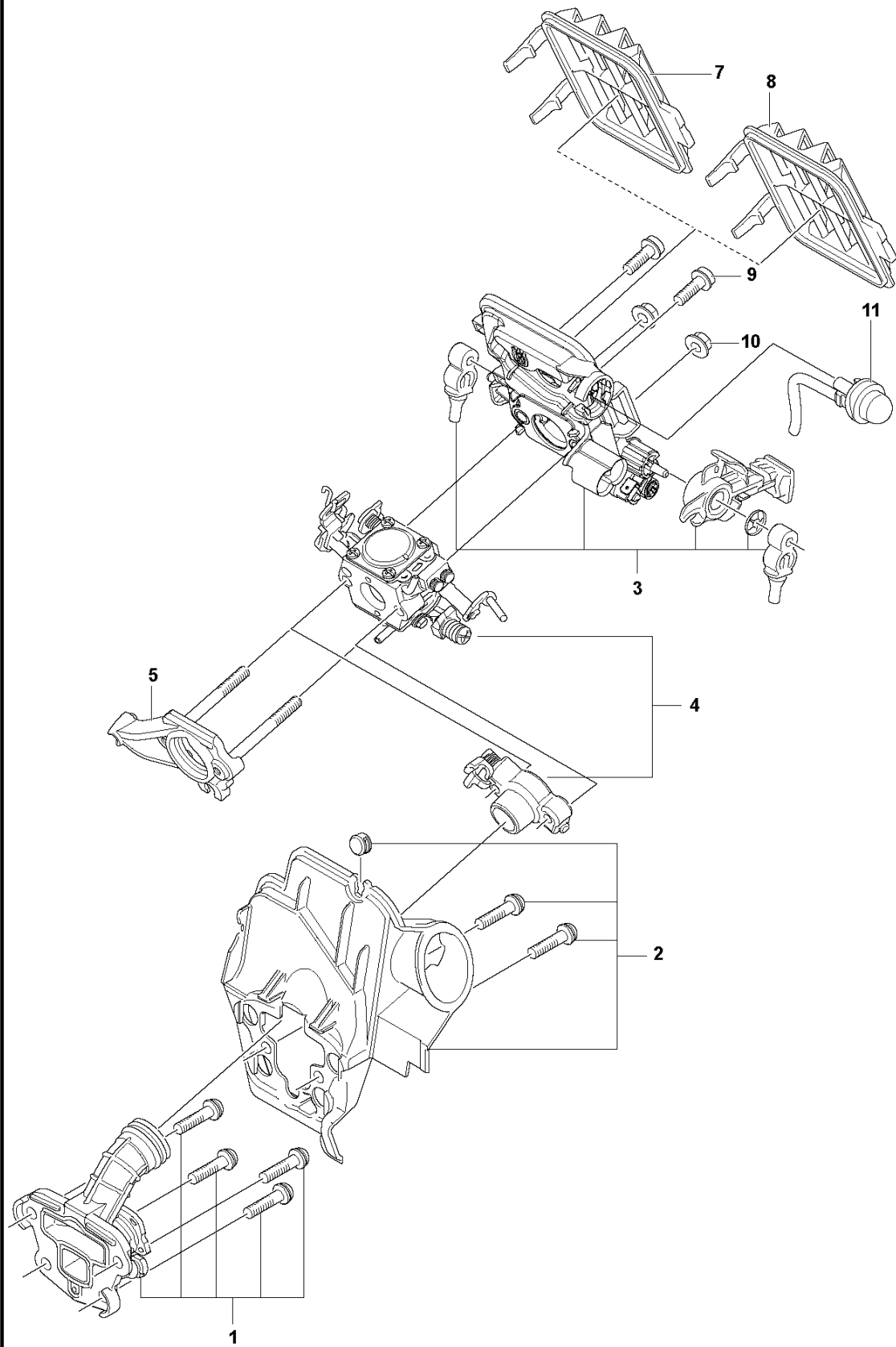
L 130
STARTER



CHAIN SAWS

| PXM_REF | PXM_PARTNO | PXM_DESCRIPTION | PXM_REMARK | QTY. | |
|---------|------------|-----------------|-----------------|------|---|
| 1 | 530016401 | SCREW | | 4 | 2 |
| 2 | 591466701 | SERVICE KIT | Starter Housing | 1 | |
| 3 | 576657801 | SPRING | | 1 | 2 |
| 4 | 588970701 | PULLEY | | 1 | 2 |
| 5 | 530015920 | SCREW | | 1 | 2 |
| 6 | 588970601 | BAFFLE | | 1 | |
| 7 | 545010010 | HANDLE | Handle & Rope | 1 | 2 |
| 8 | 591465501 | SERVICE KIT | DECAL KIT | 1 | |

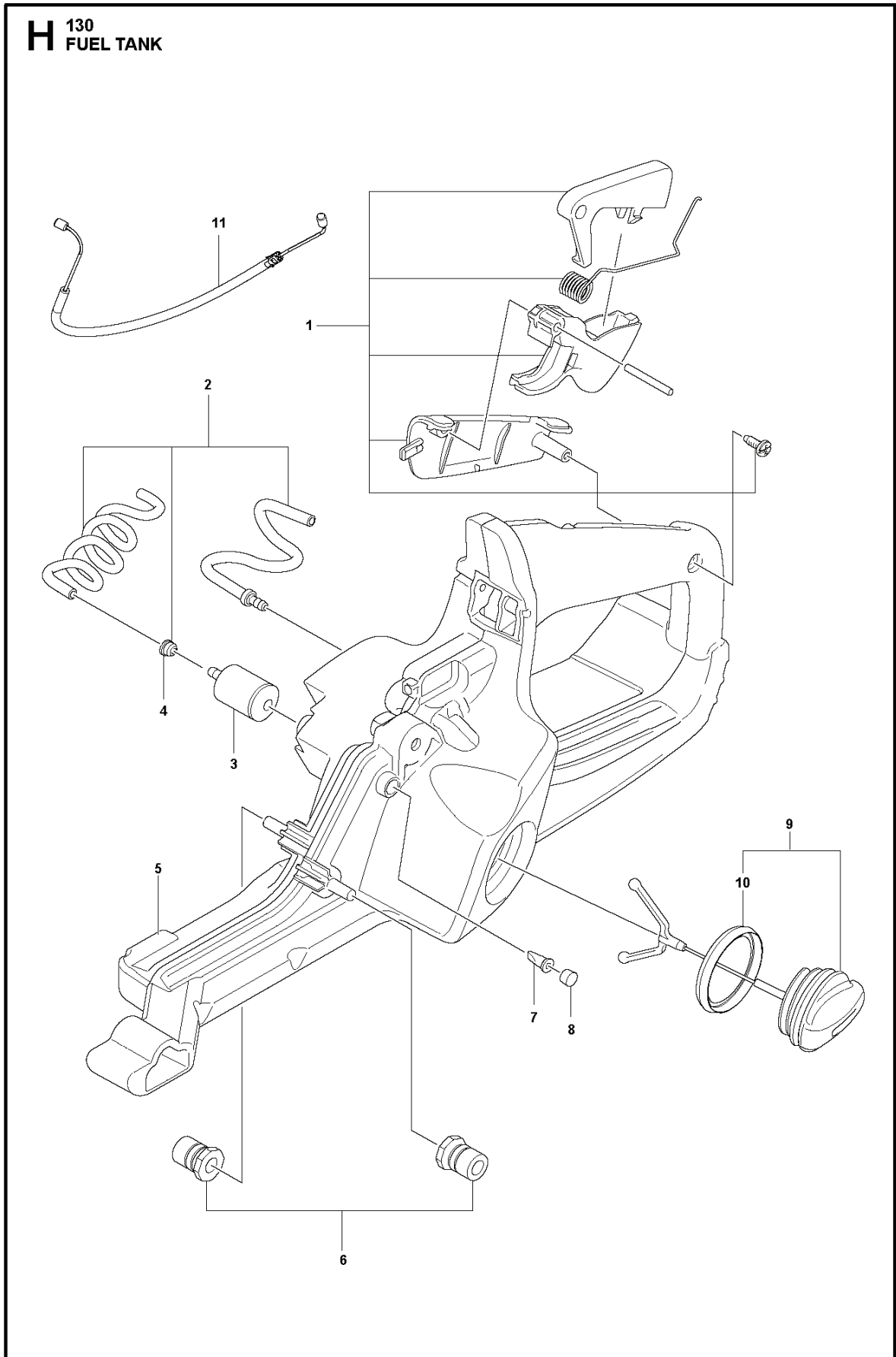
A 130
CARBURETOR & AIR FILTER



CHAIN SAWS

| PXM_REF | PXM_PARTNO | PXM_DESCRIPTION | PXM_REMARK | QTY. |
|---------|------------|-----------------|--|------|
| 1 | 591463901 | INLET | Intake Boot | 1 |
| 2 | 591464401 | SERVICE KIT | Insulation Wall | 1 |
| 3 | 591464501 | SERVICE KIT | Filter Holder | 1 |
| 4 | 599823701 | CARBURETTOR KIT | NA, EU, CN, AU, NZ - up to s/n 20205099999 | 1 |
| 4 | 599823702 | CARBURETTOR KIT | RU, BR - up to s/n 20205099999 | 1 |
| 4 | 599823703 | CARBURETTOR KIT | NA, EU, CN, AU, NZ From s/n 20205100001 - | 1 |
| 4 | 599823704 | CARBURETTOR KIT | RU, BR From s/n 20205100001 - | 1 |
| 5 | 589289201 | FLANGE | | 1 |
| 7 | 588229301 | AIR FILTER | Mesh Filter | 1 |
| 8 | 588229302 | AIR FILTER | Non-Woven Filter | 1 |
| 9 | 503217010 | SCREW CCRPANT | | 2 |
| 10 | 530016101 | NUT | | 2 |
| 11 | 503936601 | PURGE | | 1 |

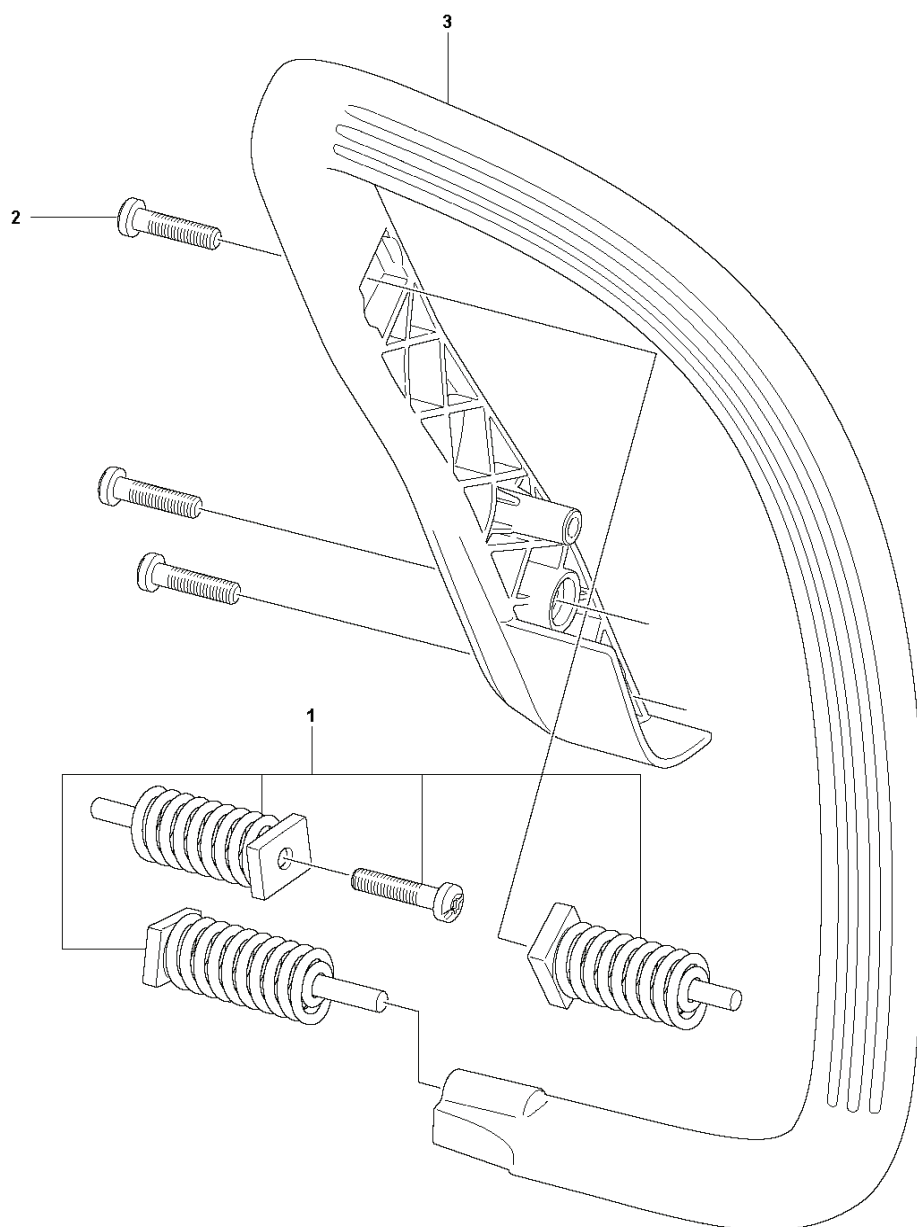
H 130 FUEL TANK



CHAIN SAWS

| PXM_REF | PXM_PARTNO | PXM_DESCRIPTION | PXM_REMARK | QTY. |
|---------|------------|---------------------|------------------|------|
| 1 | 591466001 | SERVICE KIT | Trigger Assembly | 1 |
| 2 | 592854401 | SERVICE KIT | Fuel Hose | 1 |
| 3 | 503443201 | FUEL FILTER | | 1 |
| 4 | 503735801 | BUSHING | | 1 |
| 5 | 501518402 | FUEL TANK ASSY | | 1 |
| 6 | 591465801 | SERVICE KIT | Lateral Support | 1 |
| 7 | 530026119 | CHECK VALVE | | 1 |
| 8 | 530029868 | PLUG | | 1 |
| 9 | 544111203 | TANK CAP ASSY | | 1 |
| 10 | 589241101 | GASKET | | 1 |
| 11 | 582287001 | THROTTLE CABLE ASSY | | 1 |

130
HANDLE



CHAIN SAWS

| PXM_REF | PXM_PARTNO | PXM_DESCRIPTION | PXM_REMARK | QTY. |
|---------|------------|-----------------|------------------------|------|
| 1 | 591466101 | SERVICE KIT | Anti-vibration Element | 1 |
| 2 | 530016432 | SCREW | | 3 |
| 3 | 501316301 | HANDLE | | 1 |