

**PXM\_SPAREPARTCATALOG**  
**CHAIN SAWS: HUSQVARNA 135 MARK II**

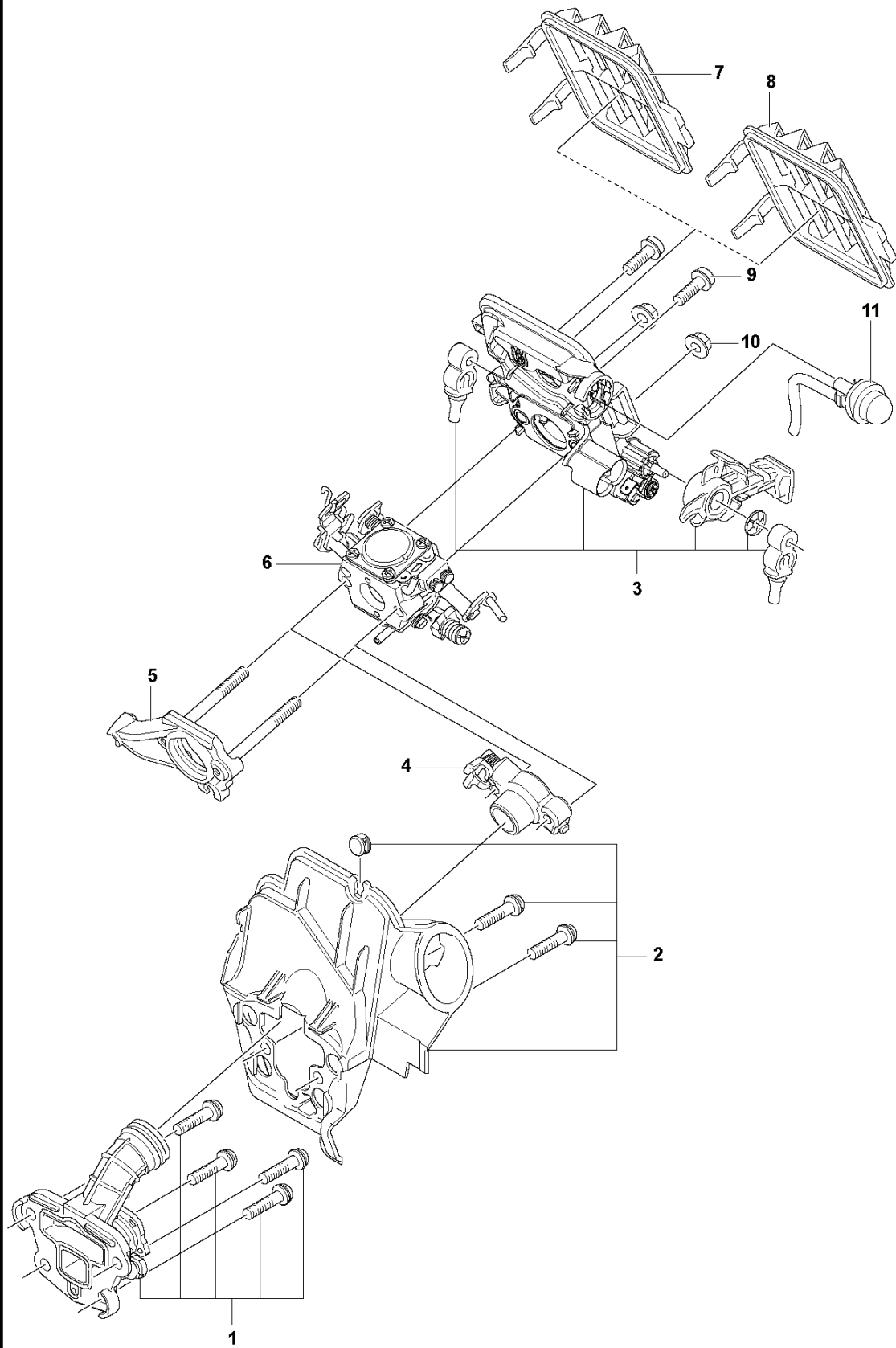
Spare Parts List

# **SPARE PARTS LIST**

CHAIN SAWS

HUSQVARNA 135 MARK II

**A** 135 Mark II  
CARBURETOR & AIR FILTER

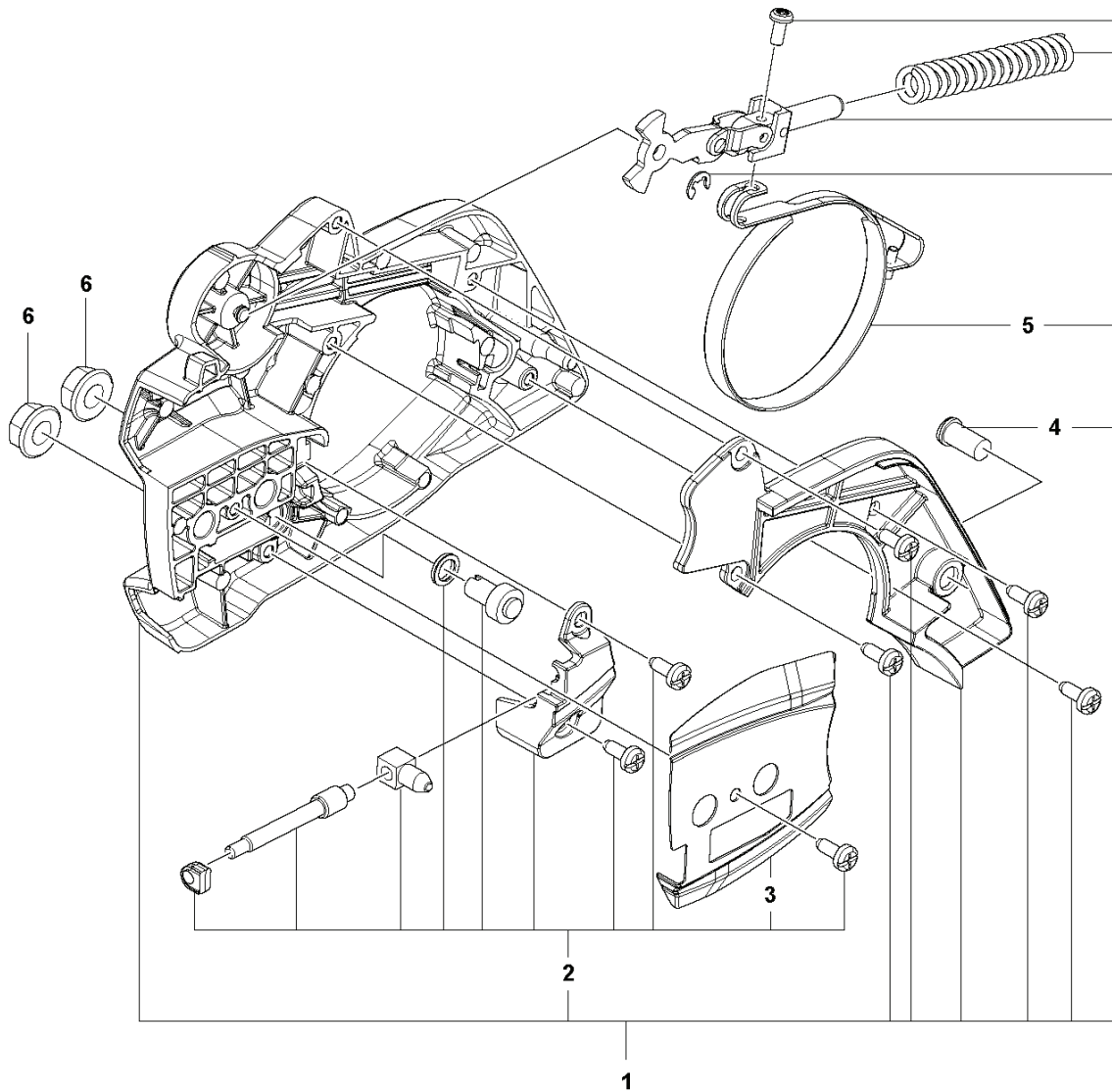


## CHAIN SAWS

---

| PXM_REF | PXM_PARTNO | PXM_DESCRIPTION | PXM_REMARK         | QTY. |
|---------|------------|-----------------|--------------------|------|
| 1       | 591463901  | INLET           | Intake Boot        | 1    |
| 2       | 591464401  | SERVICE KIT     | Insulation Wall    | 1    |
| 3       | 591464501  | SERVICE KIT     | Filter Holder      | 1    |
| 4       | 501749401  | VALVE ASSY      |                    | 1    |
| 6       | 588247901  | CARBURETTOR     | NA, EU, CN, AU, NZ | 1    |
| 6       | 593818101  | CARBURETTOR     | RU, BR             | 1    |
| 5       | 589289201  | FLANGE          |                    | 1    |
| 7       | 588229301  | AIR FILTER      | Mesh Filter        | 1    |
| 8       | 588229302  | AIR FILTER      | Non-Woven Filter   | 1    |
| 9       | 503217010  | SCREW CCRPANT   |                    | 2    |
| 10      | 530016101  | NUT             |                    | 2    |
| 11      | 503936601  | PURGE           |                    | 1    |

**B** 135 Mark II  
CHAIN BRAKE & CLUTCH COVER

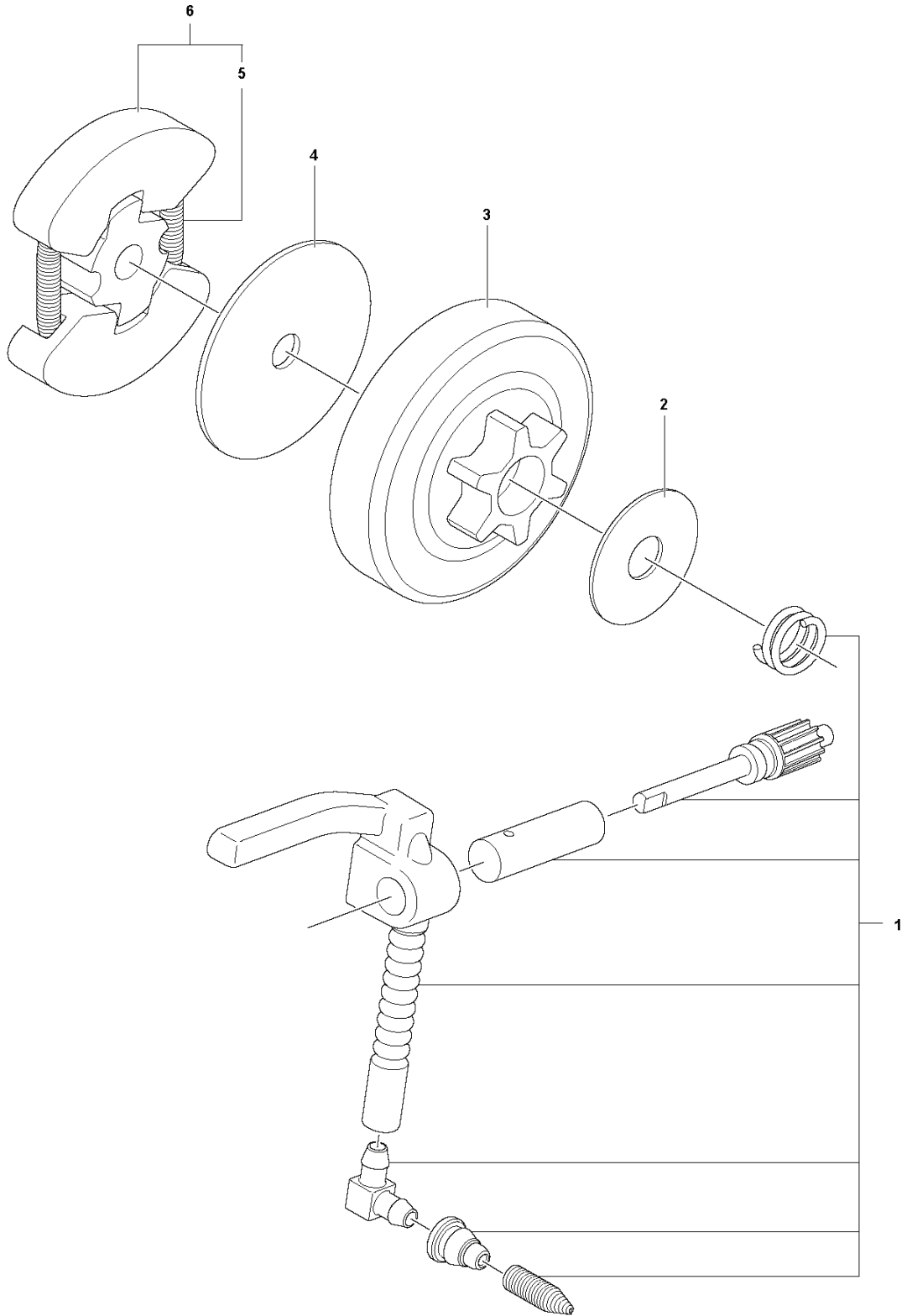


## CHAIN SAWS

---

| PXM_REF | PXM_PARTNO | PXM_DESCRIPTION | PXM_REMARK               | QTY. |   |
|---------|------------|-----------------|--------------------------|------|---|
| 1       | 591464702  | SERVICE KIT     | Service kit Clutch Cover | 1    |   |
| 2       | 591464602  | SERVICE KIT     | Bar Adjuster             | 1    | 1 |
| 3       | 582647601  | GUIDE PLATE     |                          | 1    | 1 |
| 4       | 590439601  | GUIDE BUSHING   |                          | 1    | 1 |
| 5       | 544306001  | BRAKE BAND ASSY |                          | 1    | 1 |
| 6       | 530015917  | NUT             |                          | 2    |   |

**C** 135 Mark II  
CLUTCH & OIL PUMP



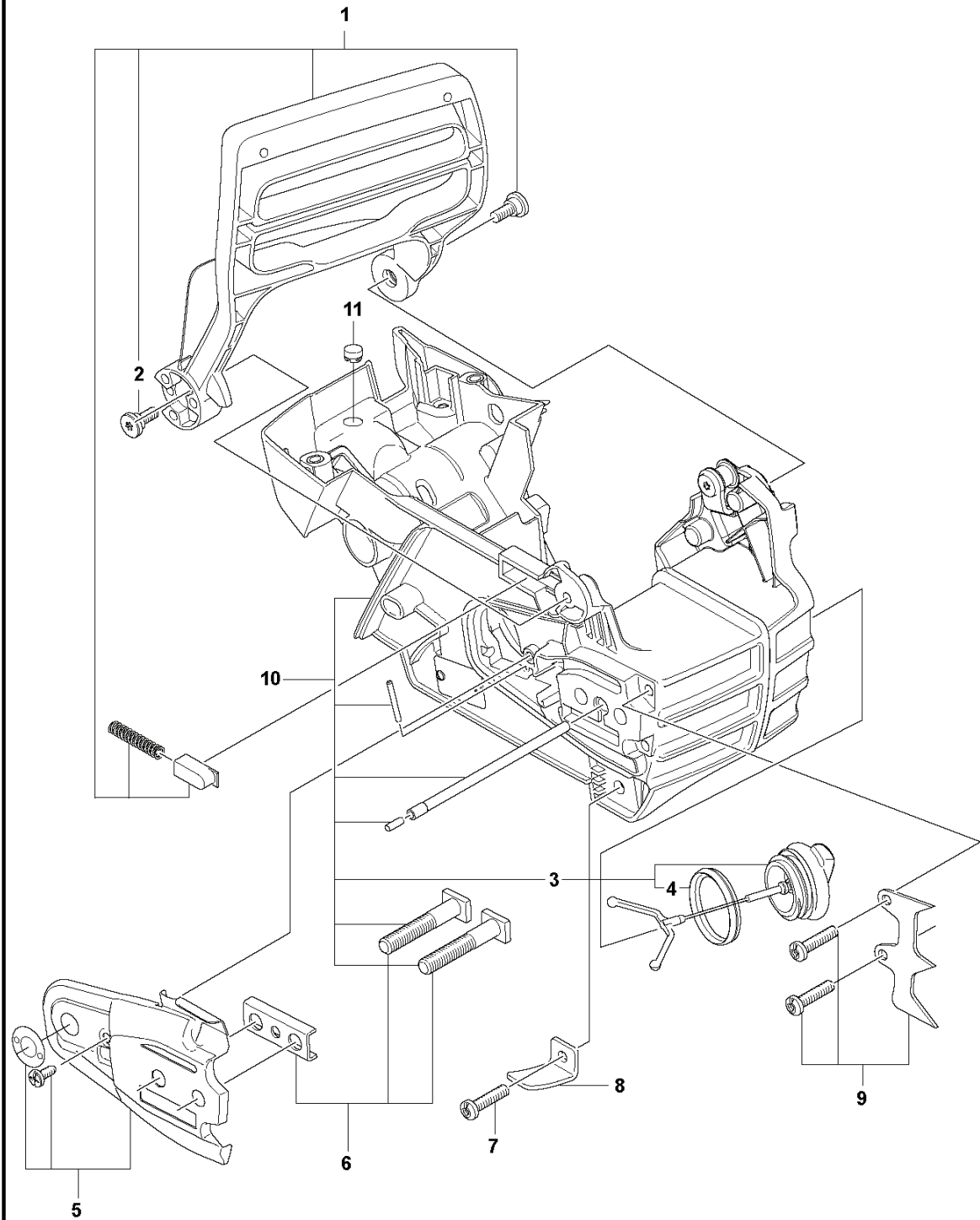
## CHAIN SAWS

---

| PXM_REF | PXM_PARTNO | PXM_DESCRIPTION  | PXM_REMARK | QTY. |
|---------|------------|------------------|------------|------|
| 1       | 591466801  | SERVICE KIT      | OIL PUMP   | 1    |
| 2       | 579621501  | WASHER           |            | 1    |
| 3       | 582598401  | CLUTCH DRUM ASSY |            | 1    |
| 4       | 530015611  | WASHER           |            | 1    |
| 5       | 599588501  | SPRING           |            | 1 6  |
| 6       | 599588601  | CLUTCH           |            | 1    |



**D** 135 Mark II  
CRANKCASE

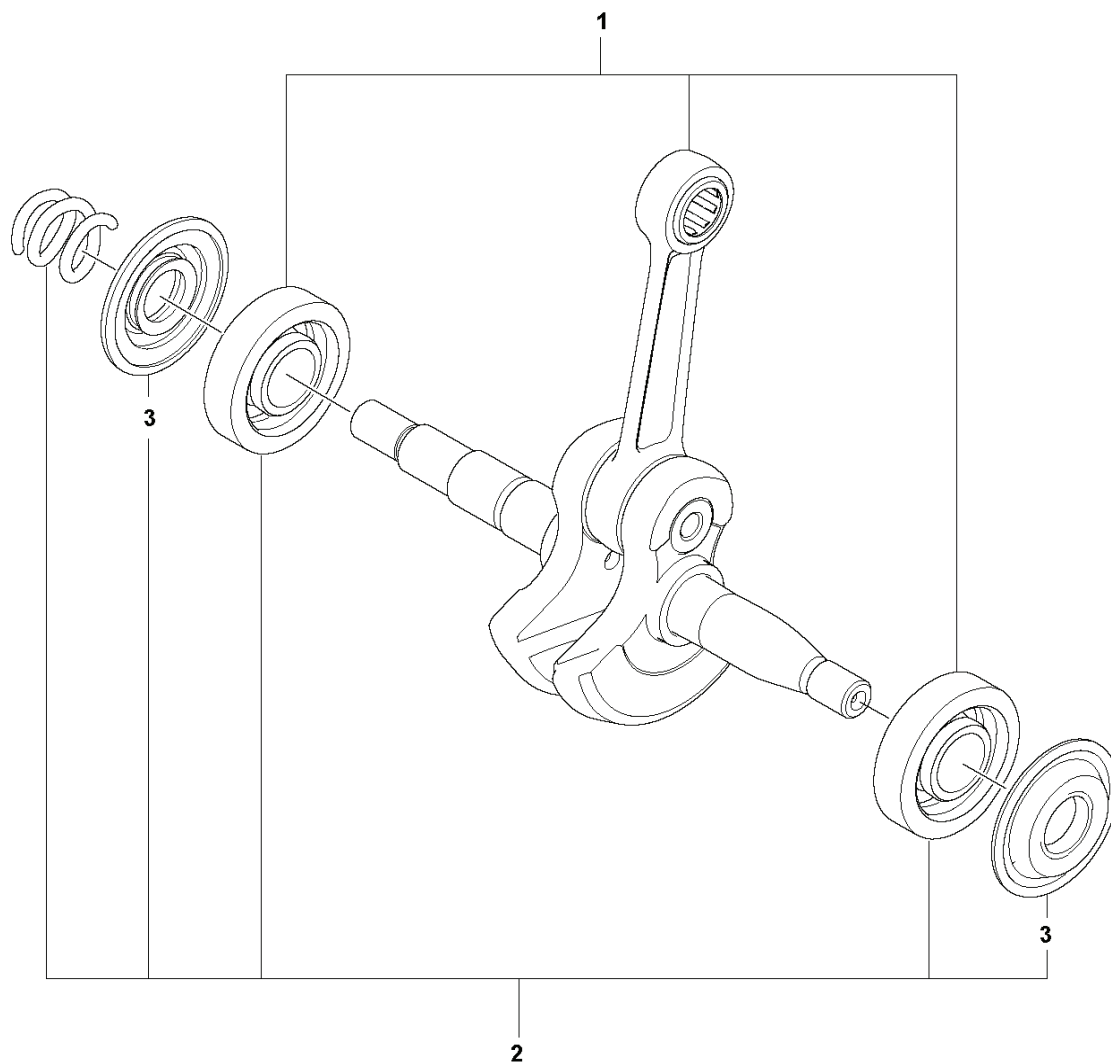


## CHAIN SAWS

---

| PXM_REF | PXM_PARTNO | PXM_DESCRIPTION | PXM_REMARK         | QTY. |
|---------|------------|-----------------|--------------------|------|
| 1       | 591464801  | SERVICE KIT     | Hand Guard         | 1    |
| 2       | 545127301  | BOSS            | SCREW              | 2 1  |
| 3       | 544111203  | TANK CAP ASSY   |                    | 1 10 |
| 4       | 589241101  | GASKET          |                    | 1 3  |
| 5       | 591464901  | SERVICE KIT     | Bar Plate          | 1    |
| 6       | 591465001  | SERVICE KIT     | Bar Bolt           | 1    |
| 7       | 530016432  | SCREW           |                    | 1    |
| 8       | 530029850  | CHAIN CATCHER   |                    | 1    |
| 9       | 530014381  | FELLING DOG     | Spike Assembly Kit | 1    |
| 10      | 591465301  | SERVICE KIT     | Chassis            | 1    |
| 11      | 540057301  | SUPPORT         |                    | 1    |

**E** 135 Mark II  
CRANKSHAFT

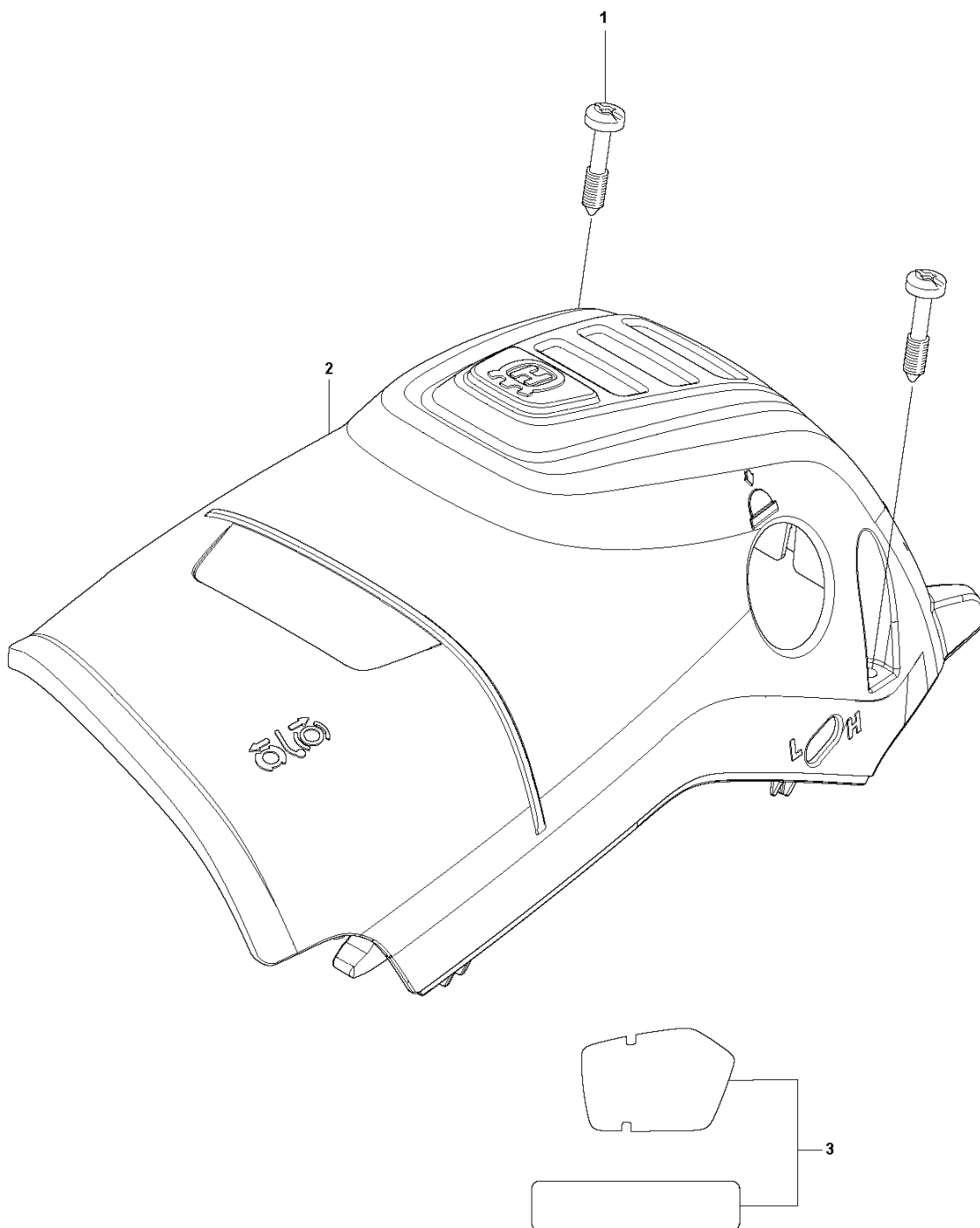


## CHAIN SAWS

---

| PXM_REF | PXM_PARTNO | PXM_DESCRIPTION | PXM_REMARK                   | QTY. |
|---------|------------|-----------------|------------------------------|------|
| 1       | 588619601  | CRANKSHAFT ASSY |                              | 1    |
| 2       | 591465401  | BEARING KIT     | CRANKSHAFT SEAL &<br>BEARING | 1    |
| 3       | 595314101  | SEAL            |                              | 2    |

**F** 135 Mark II  
CYLINDER COVER

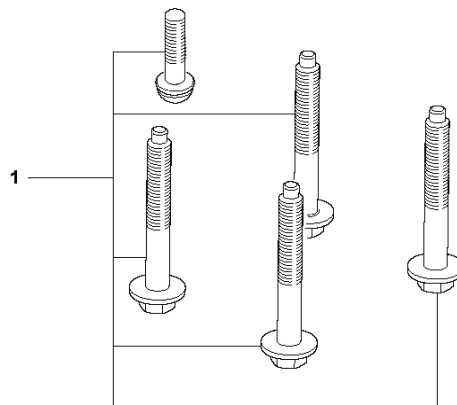
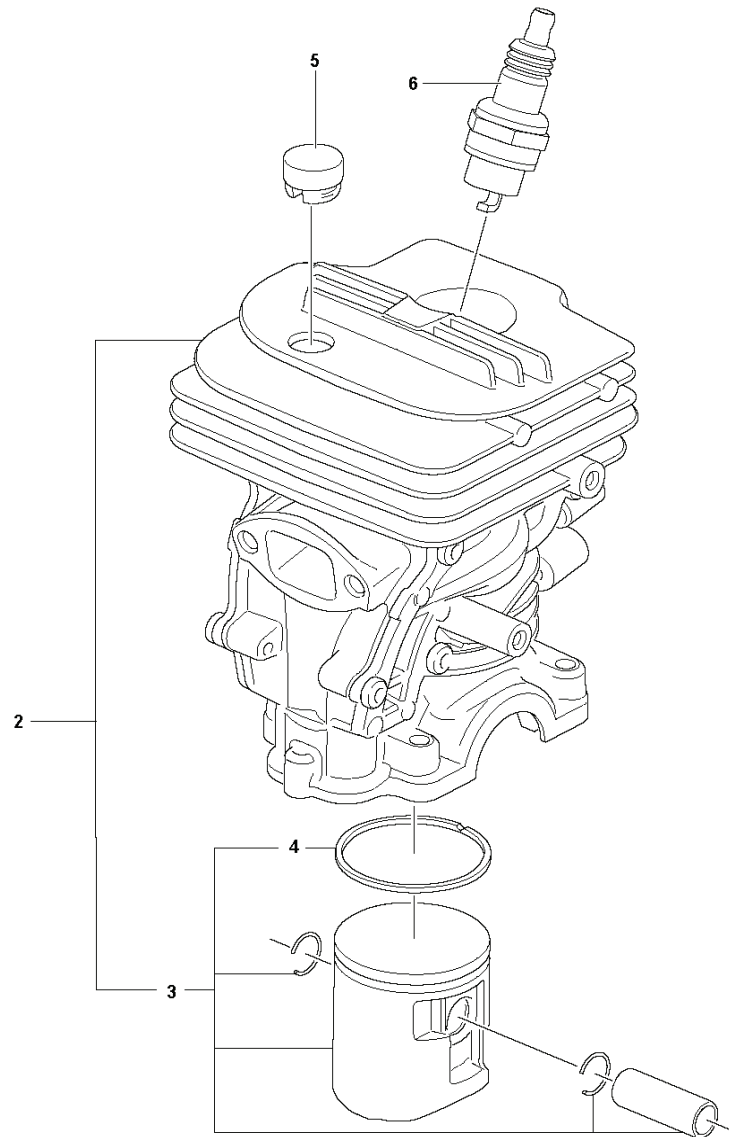


## CHAIN SAWS

---

| PXM_REF | PXM_PARTNO | PXM_DESCRIPTION | PXM_REMARK | QTY. |
|---------|------------|-----------------|------------|------|
| 1       | 503203476  | SCREW           |            | 3    |
| 2       | 596394801  | COVER           | CYLINDER   | 1    |
| 3       | 591465502  | SERVICE KIT     | DECAL KIT  | 1    |

**G** 135 Mark II  
CYLINDER PISTON



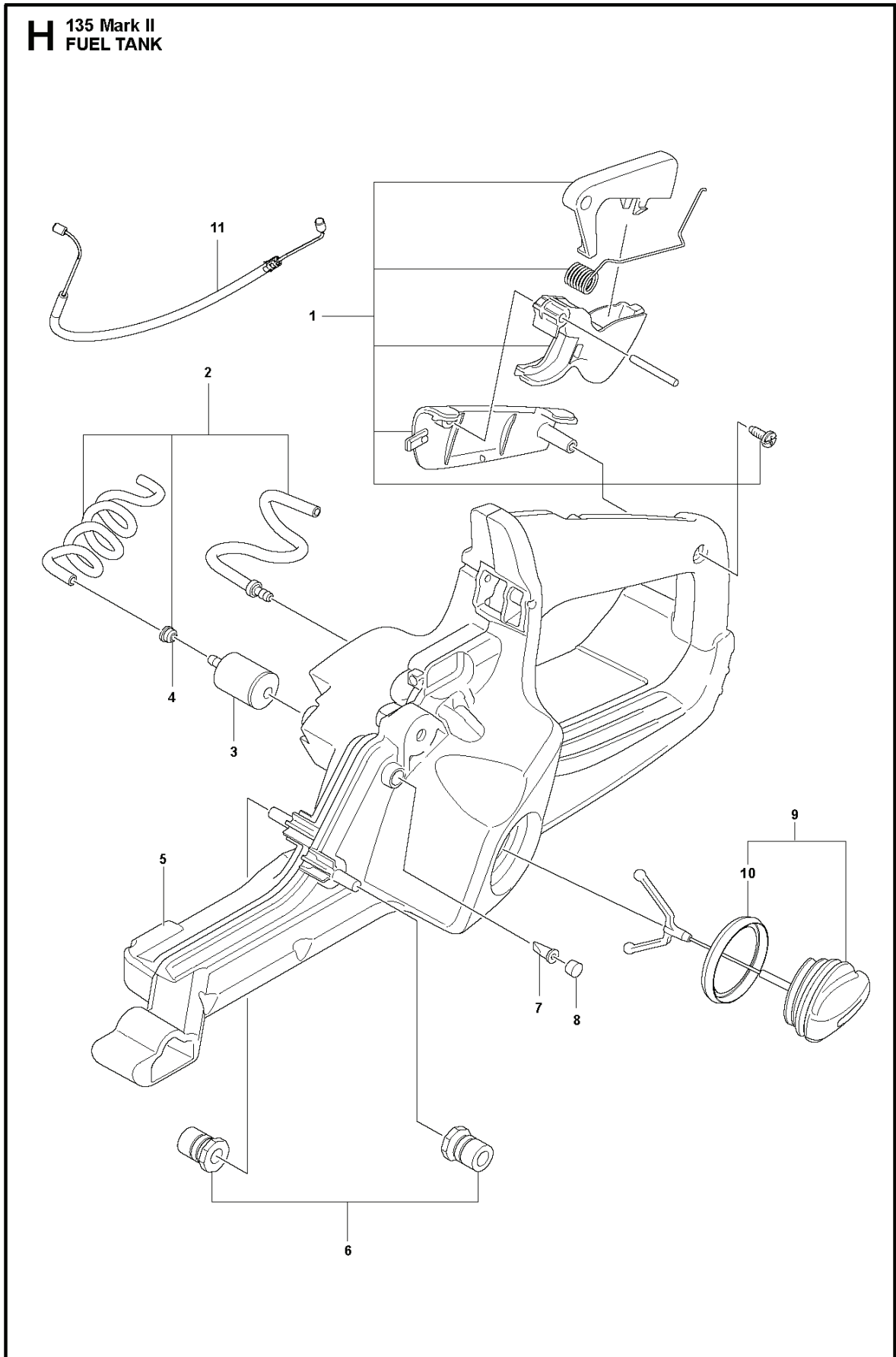
## CHAIN SAWS

---

| PXM_REF | PXM_PARTNO | PXM_DESCRIPTION | PXM_REMARK        | QTY.  |
|---------|------------|-----------------|-------------------|-------|
| 1       | 591465601  | SERVICE KIT     | Cylinder Bolt     | 1     |
| 2       | 591465701  | SERVICE KIT     | Cylinder & Piston | 1     |
| 3       | 591465702  | SERVICE KIT     | Piston Kit        | 1 2   |
| 4       | 585040601  | PISTON RING     |                   | 1 2.3 |
| 5       | 590409901  | SUPPORT         |                   | 1     |
| 6       | 503235111  | SPARK PLUG      | NGK BPMR7A        | 1     |



**H** 135 Mark II  
FUEL TANK

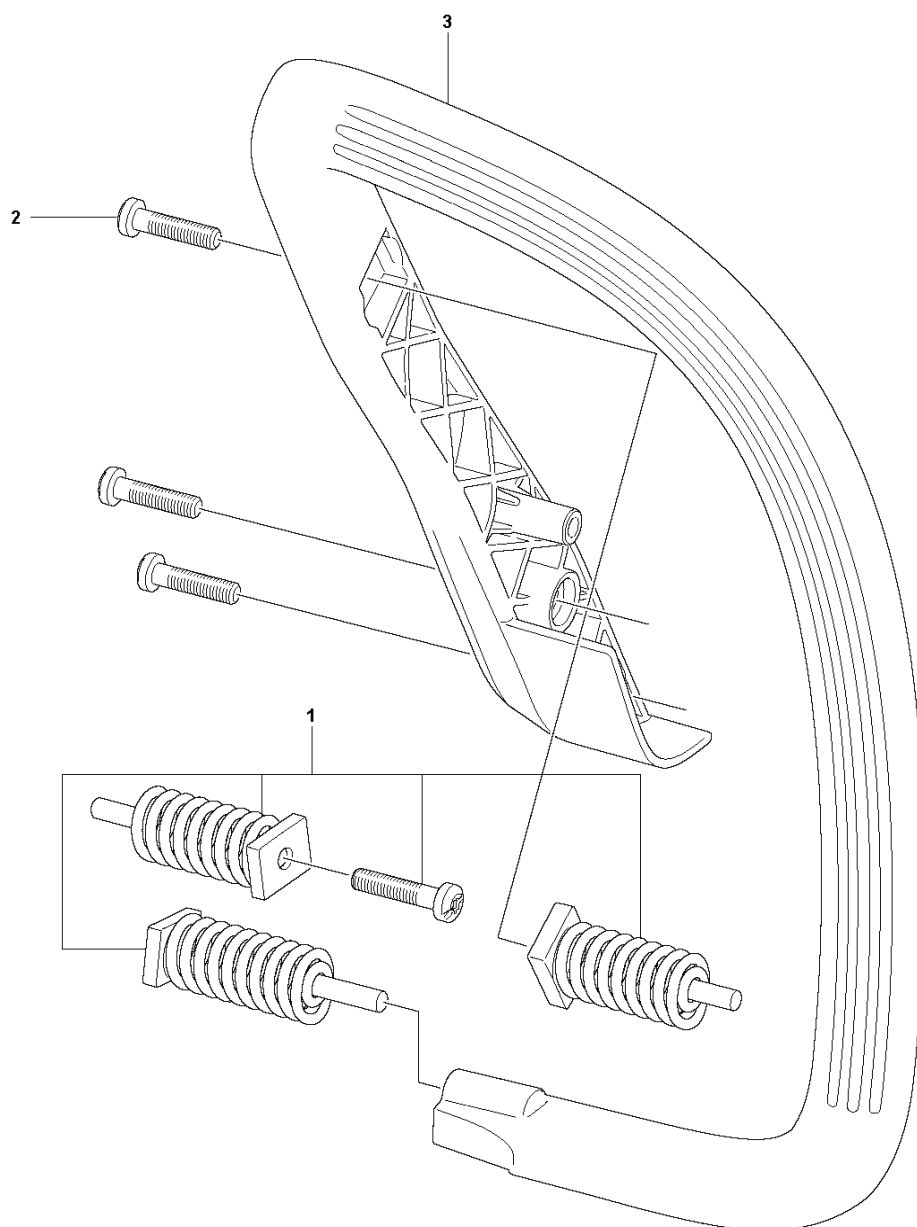


## CHAIN SAWS

---

| PXM_REF | PXM_PARTNO | PXM_DESCRIPTION     | PXM_REMARK       | QTY. |
|---------|------------|---------------------|------------------|------|
| 1       | 591466001  | SERVICE KIT         | Trigger Assembly | 1    |
| 2       | 592854401  | SERVICE KIT         | Fuel Hose        | 1    |
| 3       | 503443201  | FUEL FILTER         |                  | 1    |
| 4       | 503735801  | BUSHING             |                  | 1    |
| 5       | 501518402  | FUEL TANK ASSY      |                  | 1    |
| 6       | 591465801  | SERVICE KIT         | Lateral Support  | 1    |
| 7       | 530026119  | CHECK VALVE         |                  | 1    |
| 8       | 530029868  | PLUG                |                  | 1    |
| 9       | 544111203  | TANK CAP ASSY       |                  | 1    |
| 10      | 589241101  | GASKET              |                  | 1    |
| 11      | 582287001  | THROTTLE CABLE ASSY |                  | 1    |

**135 Mark II  
HANDLE**

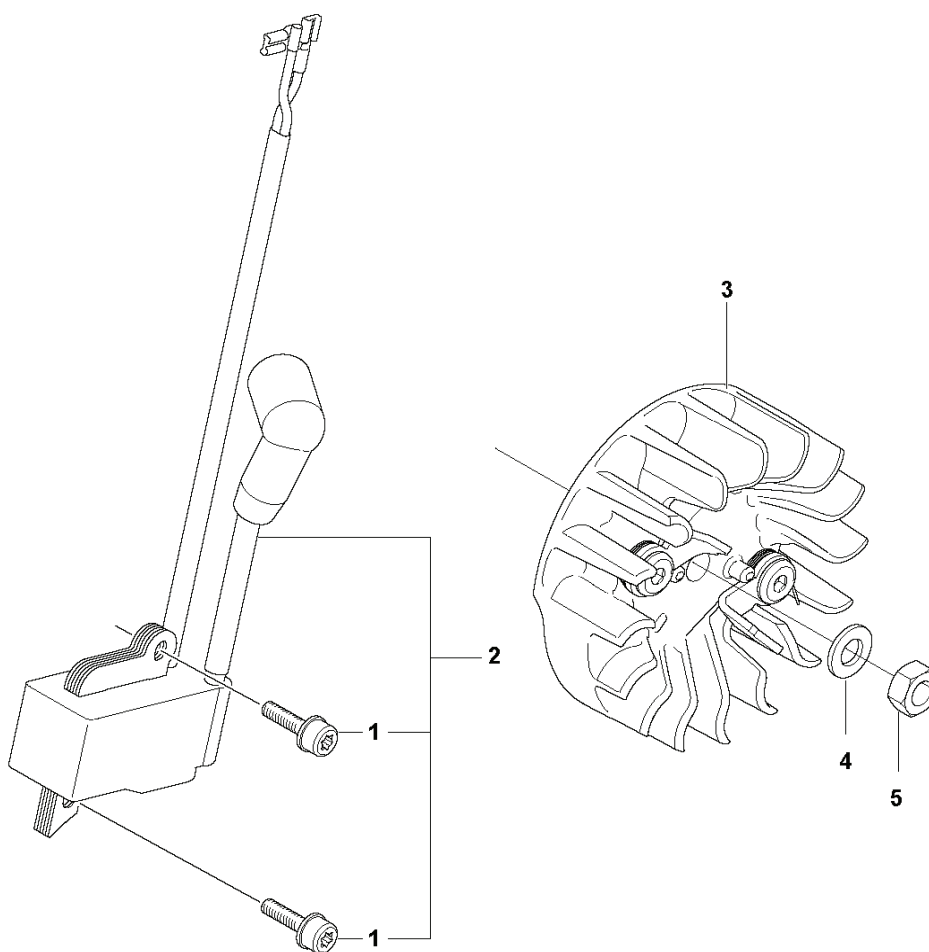


## CHAIN SAWS

---

| PXM_REF | PXM_PARTNO | PXM_DESCRIPTION | PXM_REMARK             | QTY. |
|---------|------------|-----------------|------------------------|------|
| 1       | 591466101  | SERVICE KIT     | Anti-vibration Element | 1    |
| 2       | 530016432  | SCREW           |                        | 3    |
| 3       | 501316301  | HANDLE          |                        | 1    |

**J** 135 Mark II  
IGNITION SYSTEM

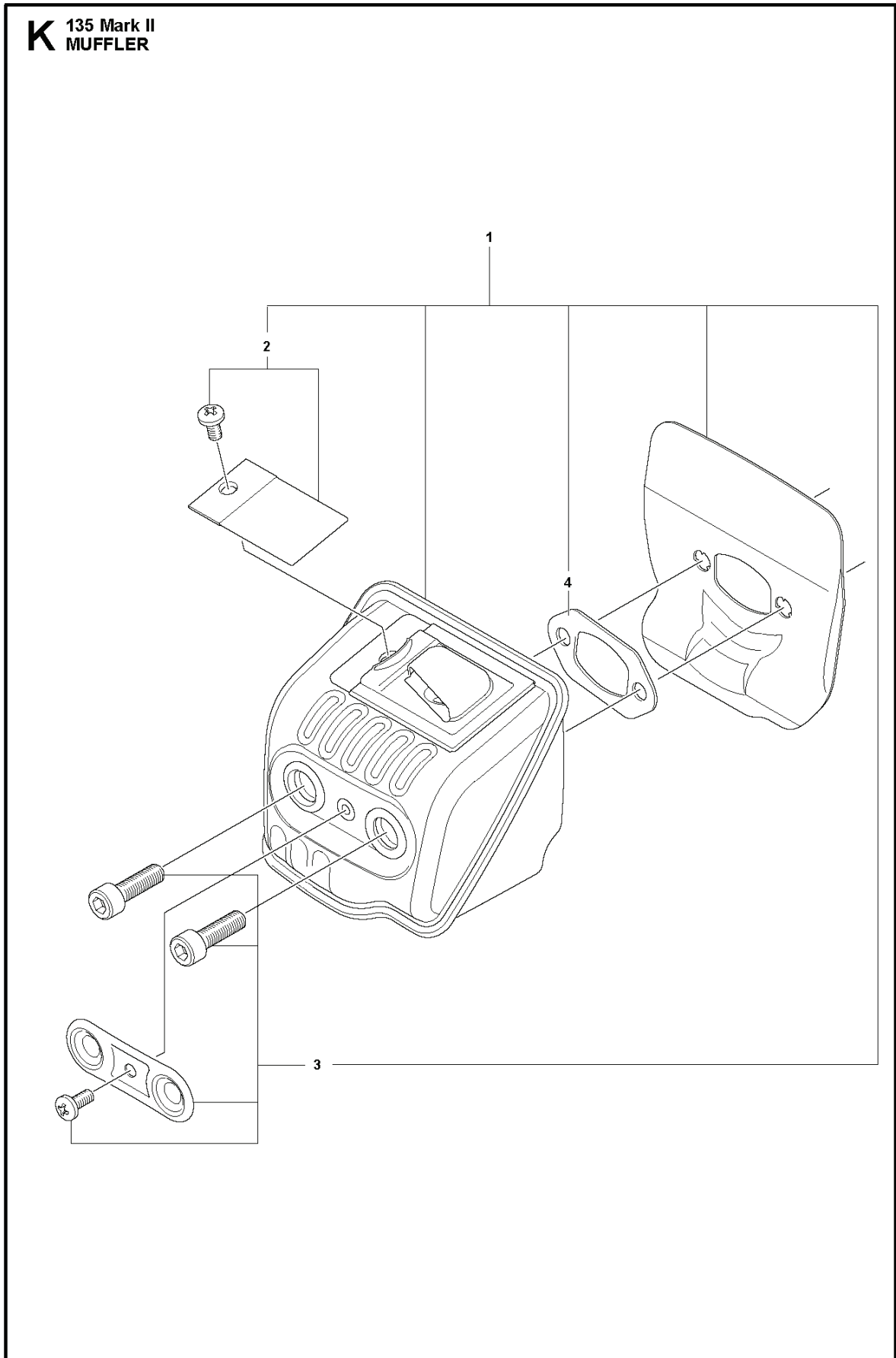


## CHAIN SAWS

---

| PXM_REF | PXM_PARTNO | PXM_DESCRIPTION | PXM_REMARK | QTY. |
|---------|------------|-----------------|------------|------|
| 1       | 575962601  | SCREW           |            | 2    |
| 2       | 591466501  | SERVICE KIT     |            | 1    |
| 3       | 544874202  | FLYWHEEL ASSY   |            | 1    |
| 4       | 530015127  | WASHER          |            | 1    |
| 5       | 530016134  | NUT             |            | 1    |

**K** 135 Mark II  
MUFFLER



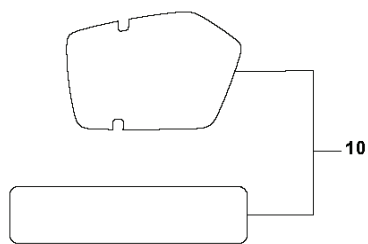
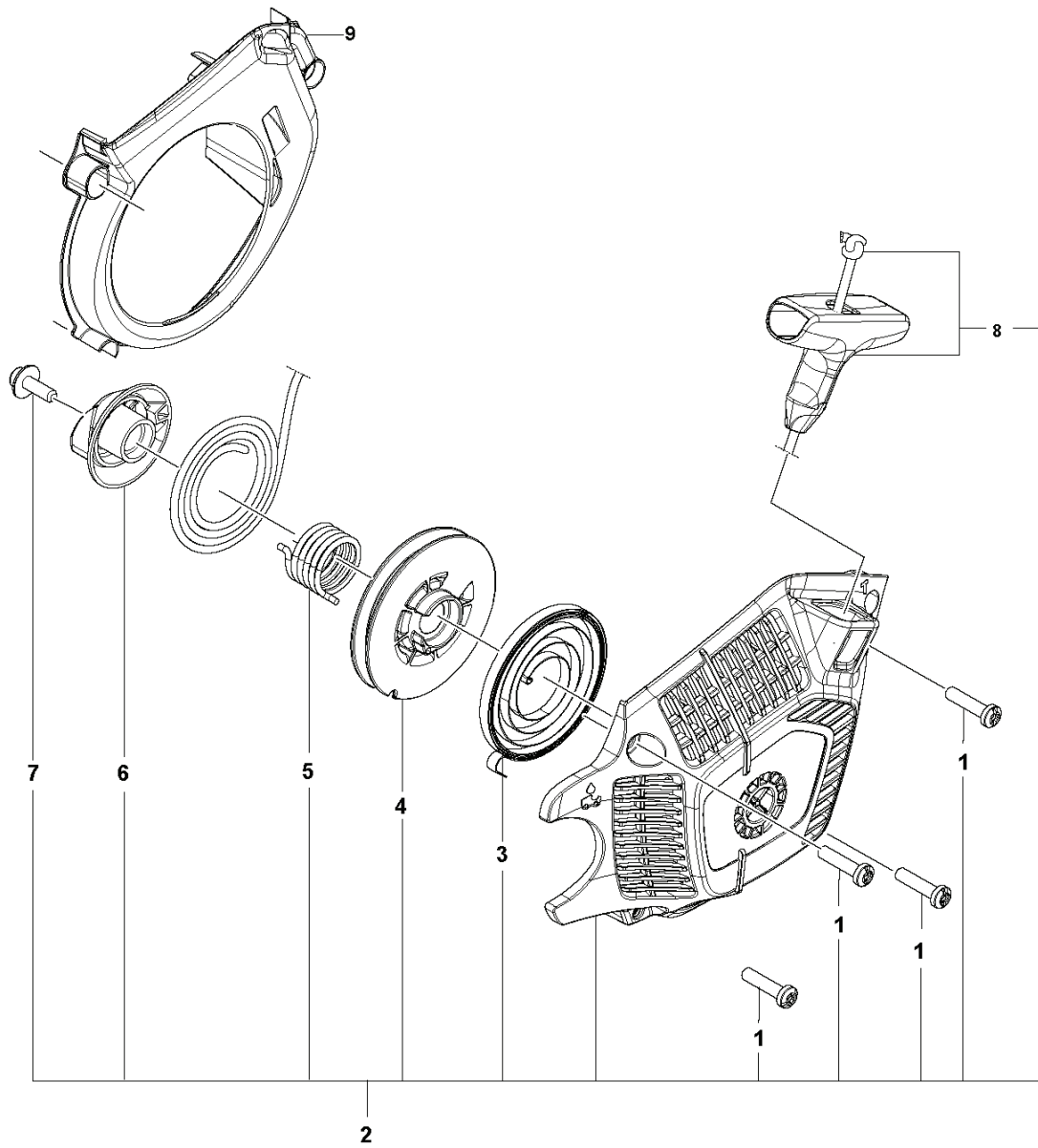
## CHAIN SAWS

---

| PXM_REF | PXM_PARTNO | PXM_DESCRIPTION | PXM_REMARK     | QTY. |
|---------|------------|-----------------|----------------|------|
| 1       | 501266203  | MUFFLER ASSY    | Kit            | 1    |
| 2       | 591175501  | SERVICE KIT     | Spark Arrester | 1    |
| 3       | 591174601  | SCREW KIT       | MUFFLER        | 1    |
| 4       | 501619501  | GASKET          |                | 1    |



**L** 135 Mark II  
STARTER



## CHAIN SAWS

---

| PXM_REF | PXM_PARTNO | PXM_DESCRIPTION | PXM_REMARK    | QTY. |   |
|---------|------------|-----------------|---------------|------|---|
| 1       | 530016401  | SCREW           |               | 4    | 2 |
| 2       | 591466702  | STARTER ASSY    | Kit           | 1    |   |
| 3       | 576657801  | SPRING          |               | 1    | 2 |
| 4       | 593167601  | PULLEY          |               | 1    | 2 |
| 5       | 593168101  | SPRING          |               | 1    | 2 |
| 6       | 597621701  | STARTER         | HUB           | 1    | 2 |
| 7       | 530015920  | SCREW           |               | 1    | 2 |
| 8       | 545010010  | HANDLE          | Handle & Rope | 1    | 1 |
| 9       | 588970601  | BAFFLE          |               | 1    |   |
| 10      | 591465502  | SERVICE KIT     | DECAL KIT     | 1    |   |