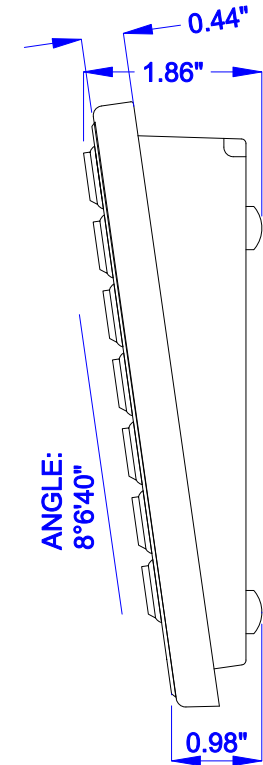
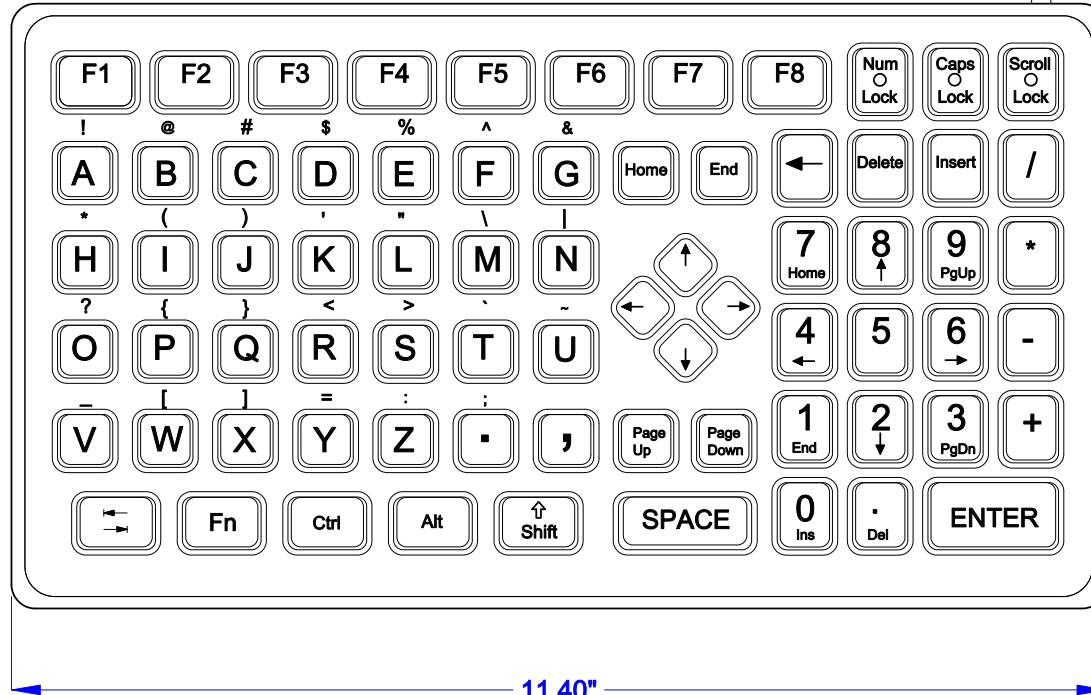
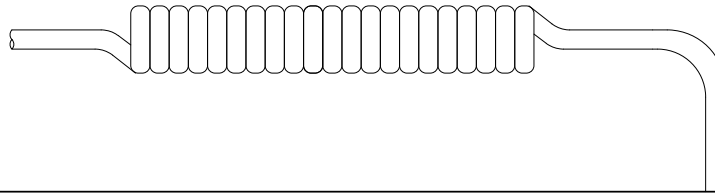
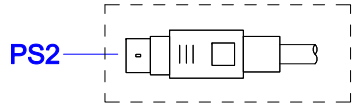
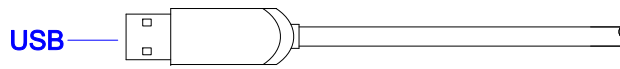


DP-72

DATE	CHANGES	INTL	REV
07.25.05	Original		1.00
08.20.08	Updated Format	JB	1.00



KEY SWITCH

MATERIAL: Industrial Silicone Rubber
LIFE: Greater Than 10 Million Cycles
TRAVEL: 0.055 in.
ACTUATION FORCE: 4.74 oz. +/- 0.71 oz (135g +/- 20g)
FEEDBACK: Tactile with Mechanical Snap

TEMPERATURE RANGE

STORAGE: -40°F to +194°F (-40°C to +90°C)
OPERATING: -40°F to +158°F (-40°C to +70°C)

VIBRATION

POWER SPECTRAL DENSITY: .04g/HZ
FREQUENCY RANGE: 20Hz-2Khz
DURATION OF TEST PER AXIS: 3 hours

POWER

PS2: KEYBOARD: 50mA@5V (from Keyboard port)
USB: 50mA@5V (from CPU port)

HUMIDITY

100% Humidity Resistant

SHOCK

3 X 11 ms pulses of 50g on each of 3 axis

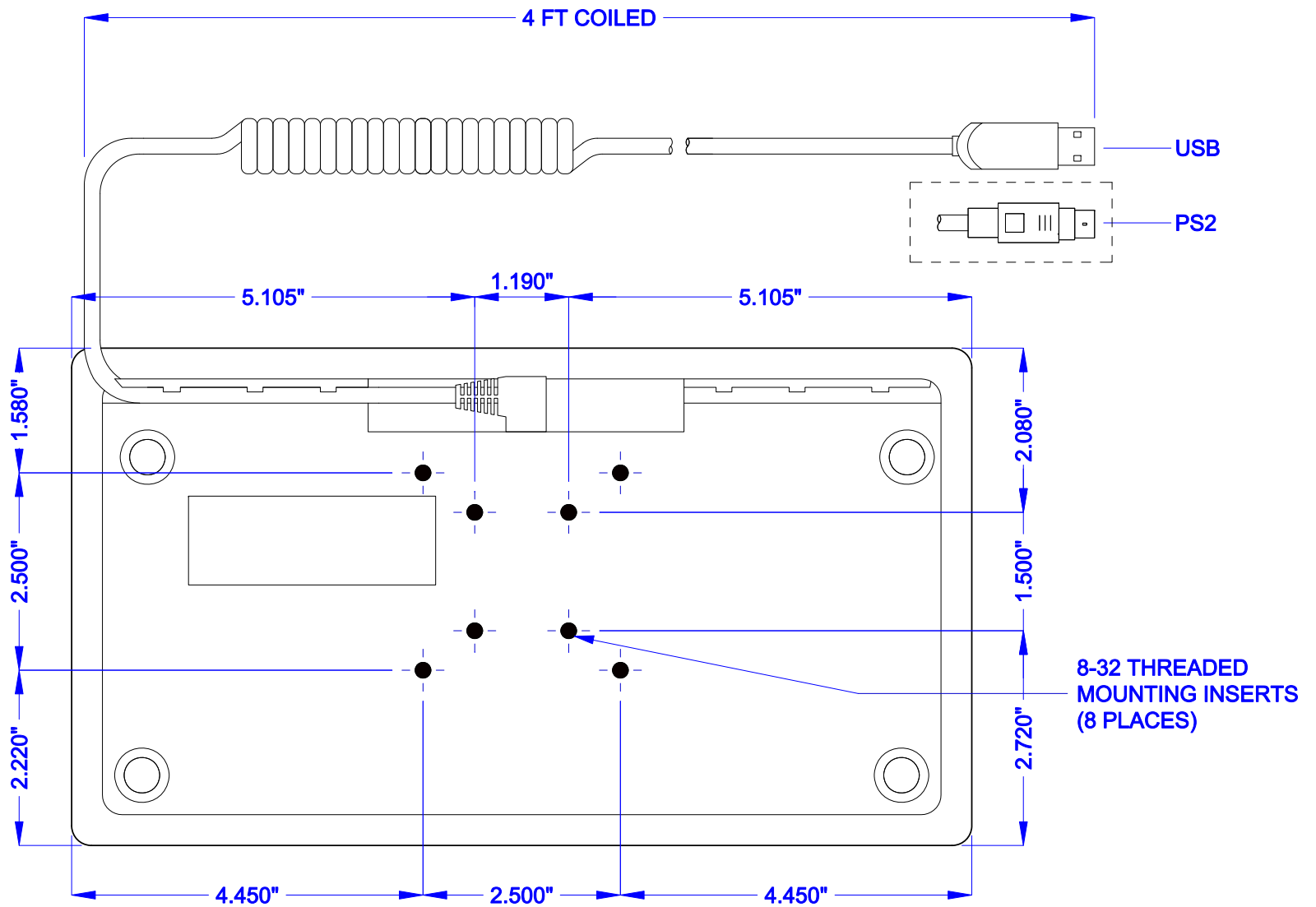
WEIGHT

2.00 lbs +/- 0.10 lbs (0.91 kg +/- 0.05 kg)

PROPRIETARY AND CONFIDENTIAL

SCALE: 1:2

DP-72 BACK/MOUNTING



ENCLOSURE CASE: ABS/Polycarbonate

PROPRIETARY AND CONFIDENTIAL

SCALE: 1:2

iKey iKey, Ltd.
2621 Ridgpoint Dr. Suite 235
Austin, Texas 78754

©2008 iKey, Ltd.
Voice: (512) 897-0283
Fax: (512) 927-8830

Part Number: DP-72

Drawing Title: DP-72-MKT

Drawing Number: MKT0052

Revision: 1.00

Sheet: 2 OF 2

Date: 08.20.08

JWB