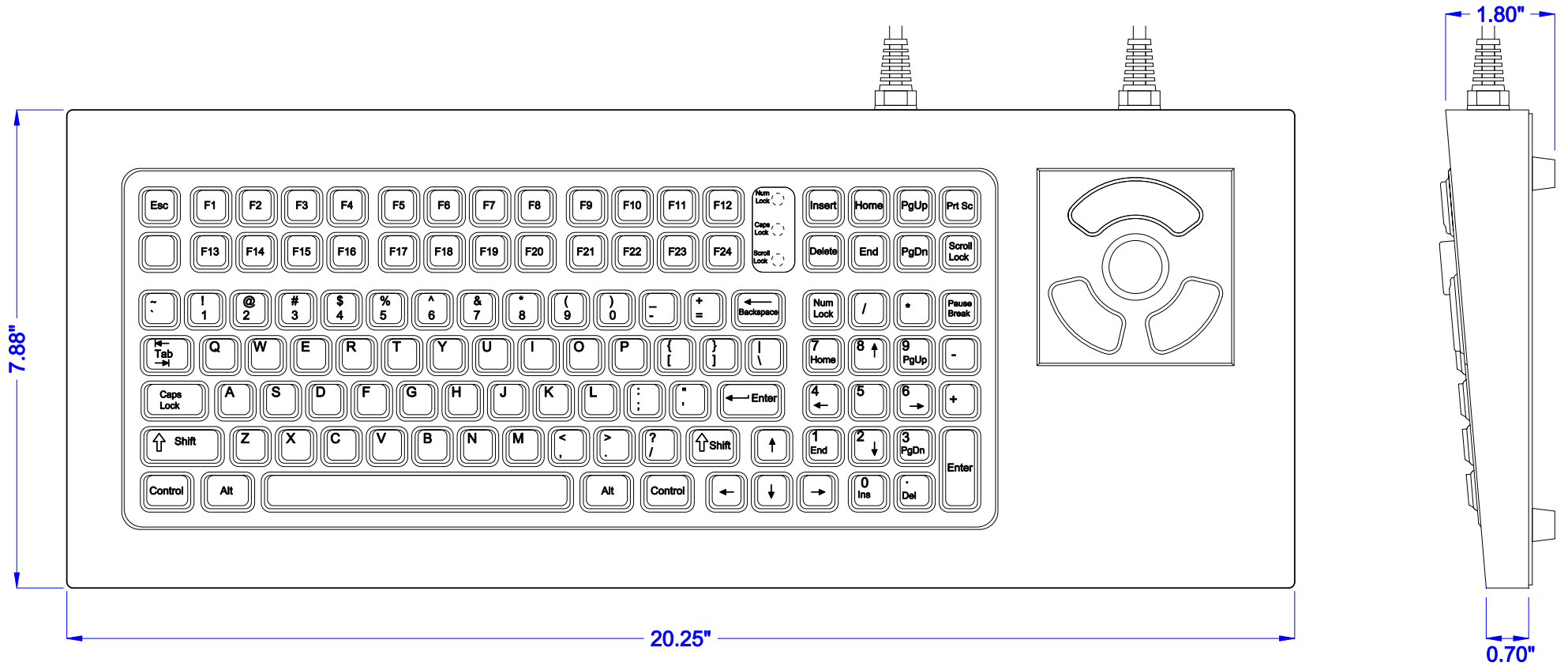


DT-2000

DATE	CHANGES	INTL	REV
10.21.03	Original		1.00
09.10.08	Updated Format	JB	1.00



KEY SWITCH

MATERIAL: Industrial Silicone Rubber
LIFE: Greater Than 10 Million Cycles
TRAVEL: 0.055 in.
ACTUATION FORCE: 6.35 oz. +/- 1.06oz (180g +/- 30g)
FEEDBACK: Tactile with Mechanical Snap

POWER

PS2 or AT/Serial:
KEYBOARD: 50mA@5V (from Keyboard port)
POINTER: 35mA@5V (from Mouse port)
USB: 85mA@5V (from CPU port)

TEMPERATURE RANGE

STORAGE: -40°F to +158°F (-40°C to +70°C)
OPERATING: -4°F to +140°F (-20°C to +60°C)

HUMIDITY

100% Humidity Resistant

VIBRATION

POWER SPECTRAL DENSITY: .04g/HZ
FREQUENCY RANGE: 20Hz-2Khz
DURATION OF TEST PER AXIS: 3 hours

SHOCK

3 X 11 ms pulses of 50g on each of 3 axis

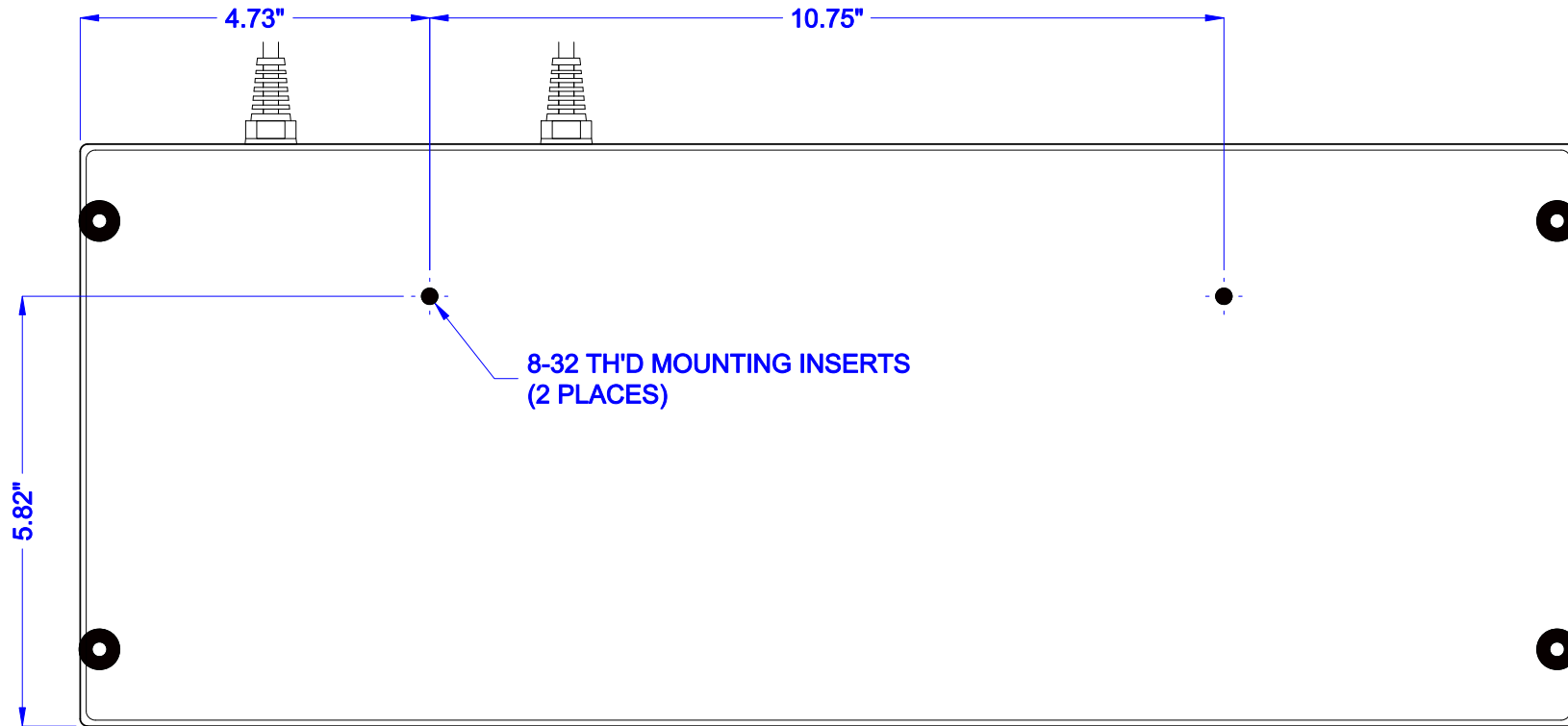
WEIGHT

6.75 lbs +/- 0.10 lbs (3.06 kg +/- 0.05 kg)

PROPRIETARY AND CONFIDENTIAL

SCALE: 1:2.5

DT-2000 BACK/MOUNTING



ENCLOSURE CASE: Stainless Steel

PROPRIETARY AND CONFIDENTIAL

SCALE: 1:2.5

iKey iKey, Ltd.
2621 Ridgpoint Dr. Suite 235
Austin, Texas 78754

©2008 iKey, Ltd.
Voice: (512) 897-0283
Fax: (512) 927-8830

Part Number: DT-2000
Drawing Title: DT-2000-MKT

Drawing Number: MKT0007
Revision: 1.00

Sheet: 2 OF 2
Date: 09.10.08
JWB