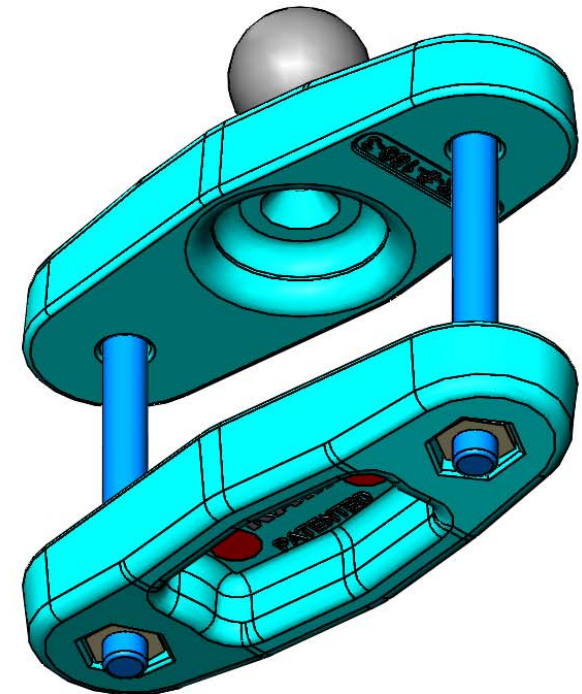
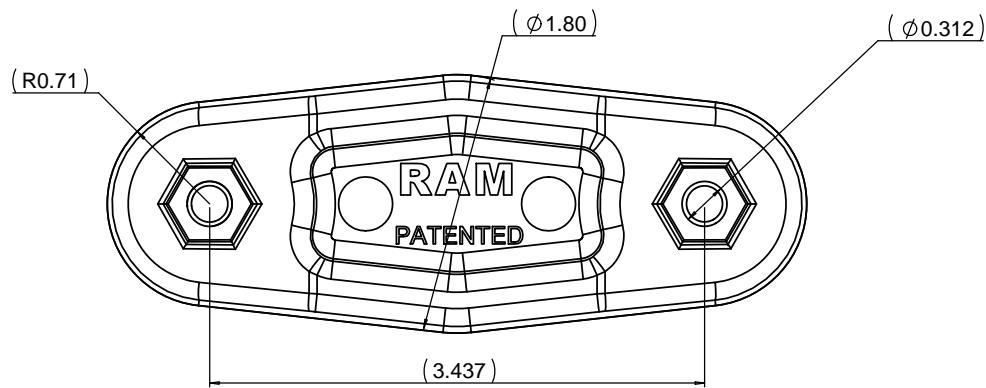
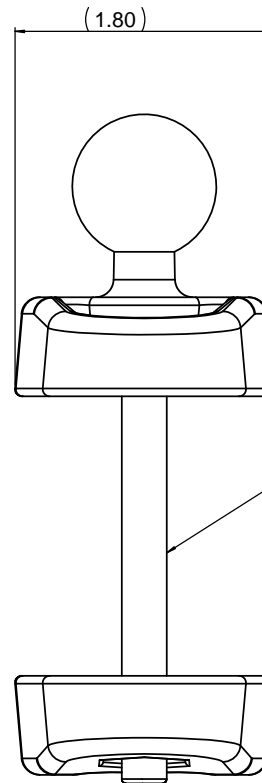
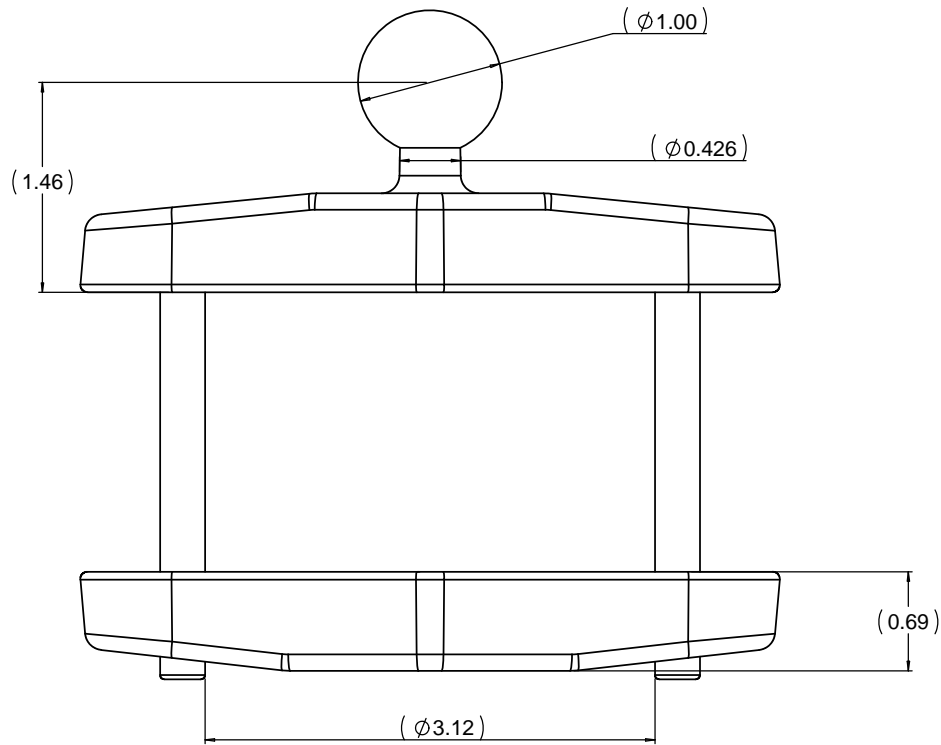


THE INFORMATION CONTAINED IN THIS DRAWING IS THE SOLE PROPERTY OF NATIONAL PRODUCTS INC. ANY REPRODUCTION IN PART OR WHOLE WITHOUT THE WRITTEN PERMISSION OF NATIONAL PRODUCTS INC. IS PROHIBITED.

REV		DESCRIPTION		REVISIONS		DATE	APPROVED



UNLESS OTHERWISE SPECIFIED DIMENSIONS ARE IN INCHES FRACTIONS DECIMALS ANGLES + 1/32 XX + .06 + .1 DEG. XXX + .030	CADD GENERATED DRAWING. DO NOT MANUALLY UPDATE		NATIONAL PRODUCTS INC.	
	APPROVALS	DATE	RAM CLAMP BASE WITH 1" DIA. BALL - 3" MAX WIDTH	
	DRAWN JDC	02/09/16	SIZE	RAM-B-247U-3
	CHECKED CMR	02/09/16	SCALE	1 TO 1
MATERIAL ALUMINUM, RUBBER, STEEL	DESIGNED	DATE	REV	
COLOR BLACK	MECH ENG			
DO NOT SCALE DRAWING	QUAL ENG			