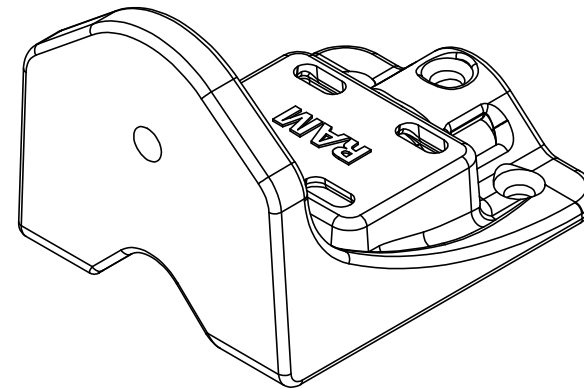
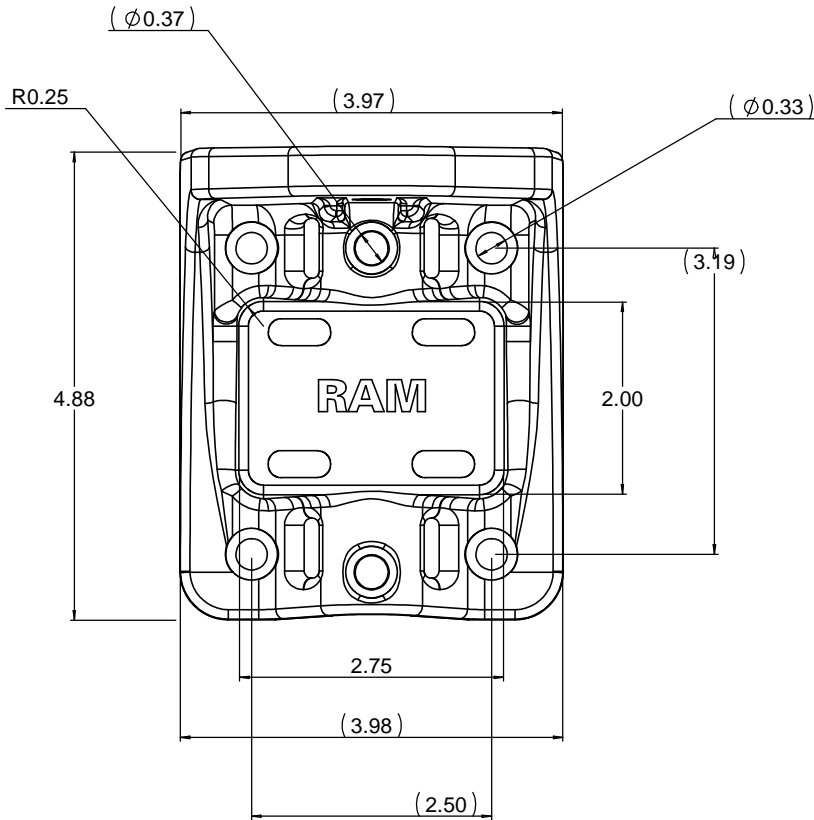
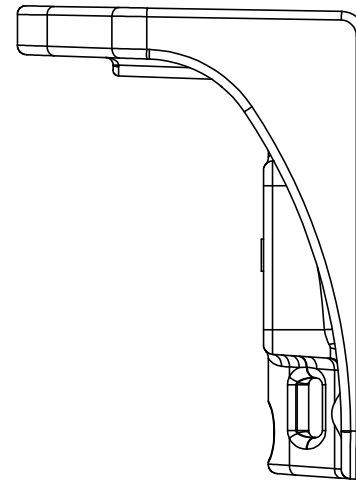
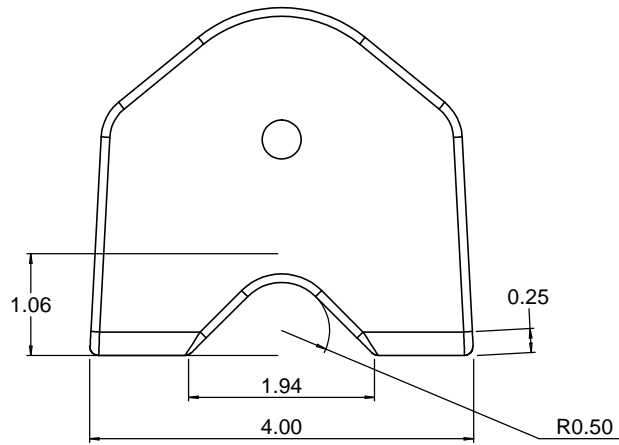


THE INFORMATION CONTAINED IN THIS DRAWING IS THE SOLE PROPERTY OF NATIONAL PRODUCTS INC. ANY REPRODUCTION IN PART OR WHOLE WITHOUT THE WRITTEN PERMISSION OF NATIONAL PRODUCTS INC. IS PROHIBITED.

REV.	DESCRIPTION	REVISIONS	DATE	APPROVED



UNLESS OTHERWISE SPECIFIED DIMENSIONS ARE IN INCHES TOLERANCES ARE: FRACTIONS: DECIMALS ANGLES +/- 1/32 .XX+ .03 +/- 1 DEG. .XXX+ .010		CAD GENERATED DRAWING. DO NOT MANUALLY UPDATE		NATIONAL PRODUCTS INC.	
APPROVALS		DATE		RAM VERTICAL BASE FOR RAM-109 SWING ARM SYSTEM	
DRAWN: JDC		04/25/07			
CHECKED: CMR		04/25/07			
MATERIAL: ALUMINUM		MFG ENG			
FINISH: BLACK		QUAL ENG			
DO NOT SCALE DRAWING		SCALE: 1 TO 1			
		DWG. NO.: RAM-109VB		REV.:	
		CAD. FILE: RAM109VB		SHEET 1 OF 1	