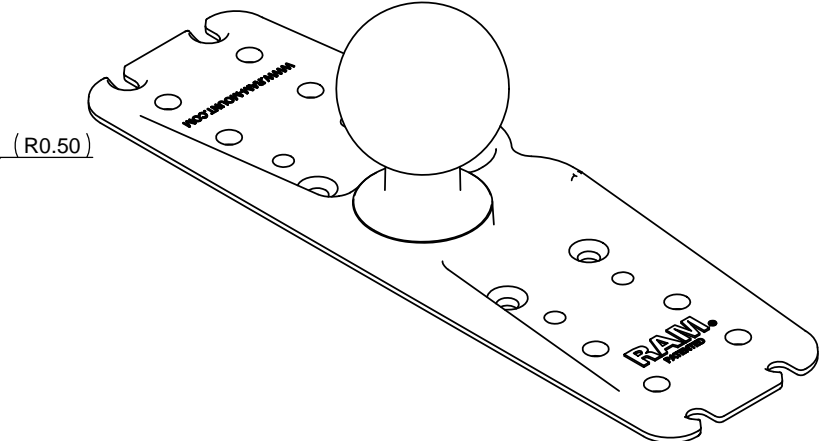
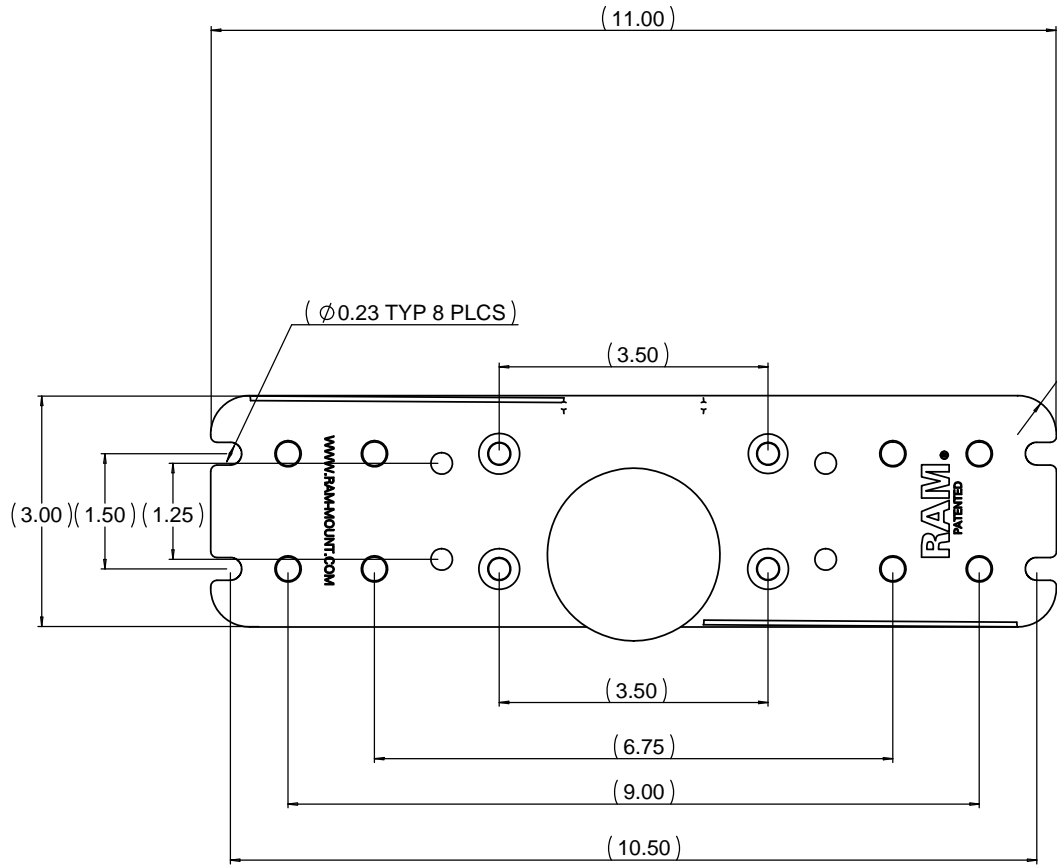
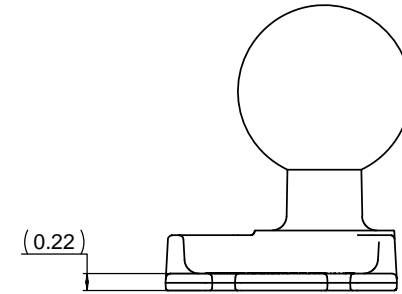
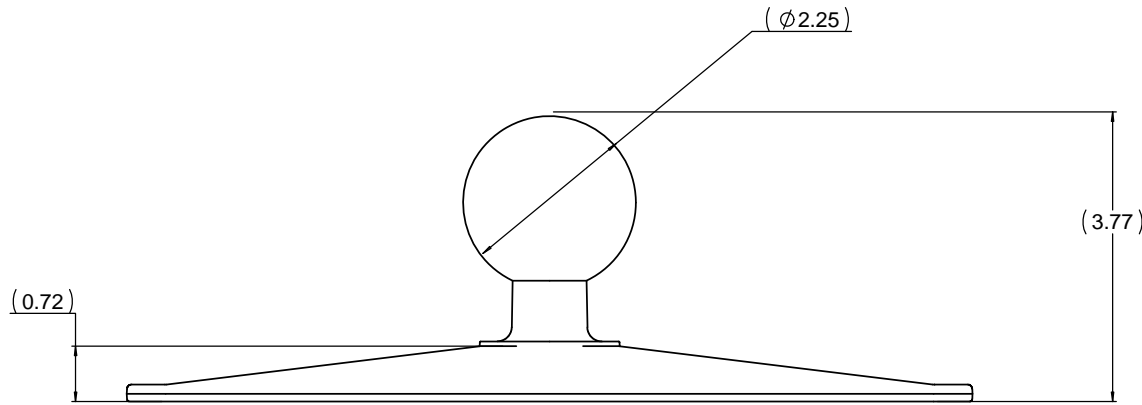


THE INFORMATION CONTAINED IN THIS DRAWING IS THE SOLE PROPERTY OF NATIONAL PRODUCTS INC. ANY REPRODUCTION IN PART OR WHOLE WITHOUT THE WRITTEN PERMISSION OF NATIONAL PRODUCTS INC. IS PROHIBITED.

REV		DESCRIPTION	REVISIONS	DATE	APPROVED



UNLESS OTHERWISE SPECIFIED DIMENSIONS ARE IN INCHES FRACTIONS DECIMALS ANGLES + 1/32 XX + .06 + -1 DEG XXX - .030	CAD GENERATED DRAWING DO NOT MANUALLY UPDATE		NATIONAL PRODUCTS INC.	
	APPROVALS	DATE	RAM 3" X 11" BASE WITH 2 1/4" DIA. RUBBER BALL	
MATERIAL ALUMINUM	DRAWN JDC	09/30/10	ISS C	REV
FRESH BLACK POWDER COAT	CHECKED CMR	09/30/10	RAM-D-111B	
DO NOT SCALE DRAWING	DESIGN ENG	QUAL ENG	SCALE 1 TO 1	CAD FILE: RAMD111B SHEET 1 OF 1