

# Bend 90°

## BFL 90



### Description

Bend 90°, segmented and lockseamed, with sealing gaskets.

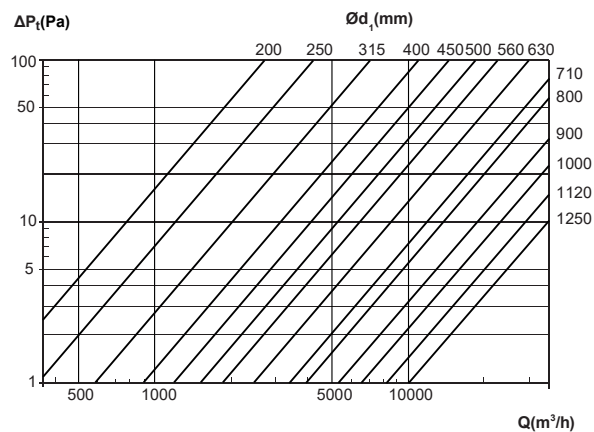
**Order code:**     **BFL**   **Ød<sub>1</sub>**   **90**

Product code     ————|

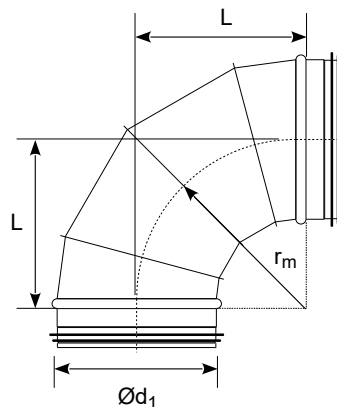
diameter Ød<sub>1</sub>     ————|

angle                 ————|

### Technical data



### Dimensions



$$r_m \approx 1 \times \text{Ød}_1$$

Ød <sub>1</sub>	L
180	180
200	200
224	224
250	250
280	280
300	300
315	315
355	355
400	400
450	450
500	500
560	560
600	600
630	630
710	710
800	800
900	900
1000	1000
1120	1120
1250	1250