

# Reducer - asymmetrical

## RRA



### Description

Asymmetrical rectangular reducer.  
Delivered with flange profile.

### Optional specifications

Flange profile different from standard - FL... (extra cost)

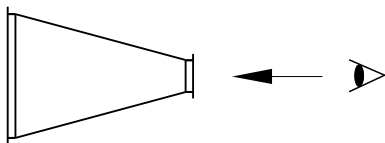
<b>Order code:</b>	<b>RRA</b>	<b>a</b>	<b>x</b>	<b>b</b>	<b>/</b>	<b>c</b>	<b>x</b>	<b>d</b>	<b>L</b>	<b>+*</b>
Product code	_____	_____	_____	_____	_____	_____	_____	_____	_____	_____
a (mm) - size a	_____	_____	_____	_____	_____	_____	_____	_____	_____	_____
b (mm) - size b	_____	_____	_____	_____	_____	_____	_____	_____	_____	_____
c (mm) - size c	_____	_____	_____	_____	_____	_____	_____	_____	_____	_____
d (mm) - size d	_____	_____	_____	_____	_____	_____	_____	_____	_____	_____
L (mm) - length L	_____	_____	_____	_____	_____	_____	_____	_____	_____	_____
offset form**	_____	_____	_____	_____	_____	_____	_____	_____	_____	_____

\* optional specifications, at extra cost

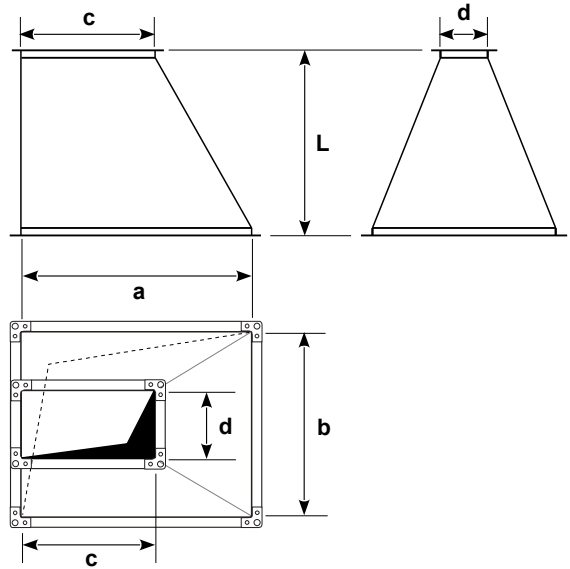
**Note:**

- larger side is a x b and reduced side is c x d
- for each side the flange profile is according to its size
- L min - 150 mm

\*\* - offset form (see codification), looking from reduced side  
For custom offsets, please send a drawing.



### Dimensions

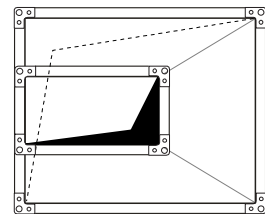


Dimensions a x b / c x d are measured without flanges.

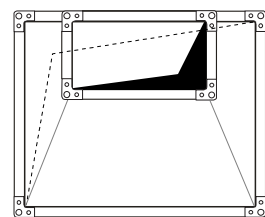
For a (sau b) ≤ 800 - L standard = 300 mm

For a (sau b) > 800 - L standard = 500 mm

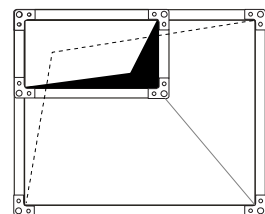
L min = 150



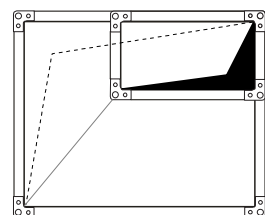
f1



f2



f3



f4