

Square to round transition

TRC



Description

Transition piece from rectangular duct to circular duct.
Delivered with flange profile at the rectangular side and with gasket at circular side.

Optional specifications

Flange profile different from standard - FL... (extra cost)

Order code: TRC a x b Ød₁ L** +*

Product code

a (mm) - size a

b (mm) - size b

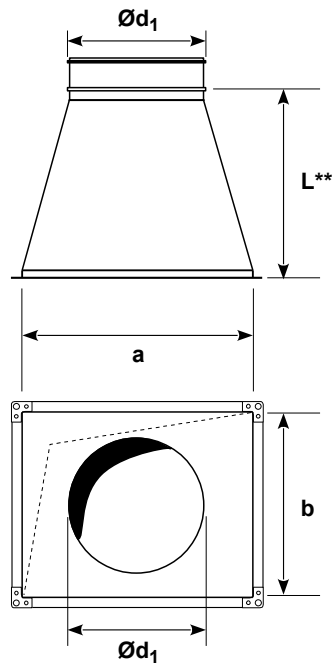
Ød₁ (mm) - outside diameter

L (mm) - length L**

* optional specifications, at extra cost

** L - see technical specifications

Dimensions



Dimensions **a** x **b** are measured without flanges.
Dimension **Ød₁** is outside diameter.

**L standard:

- for **a** sau **b** ≤ 600, L=150

- for 600 < **a** sau **b** ≤ 1000, L=300

- for **a** or **b** > 1000, L=500

Nota: L cannot be specified (is resulting from fabrication), when:

- **a** or **b** > 2 x Ød₁

- **a** or **b** < Ød₁