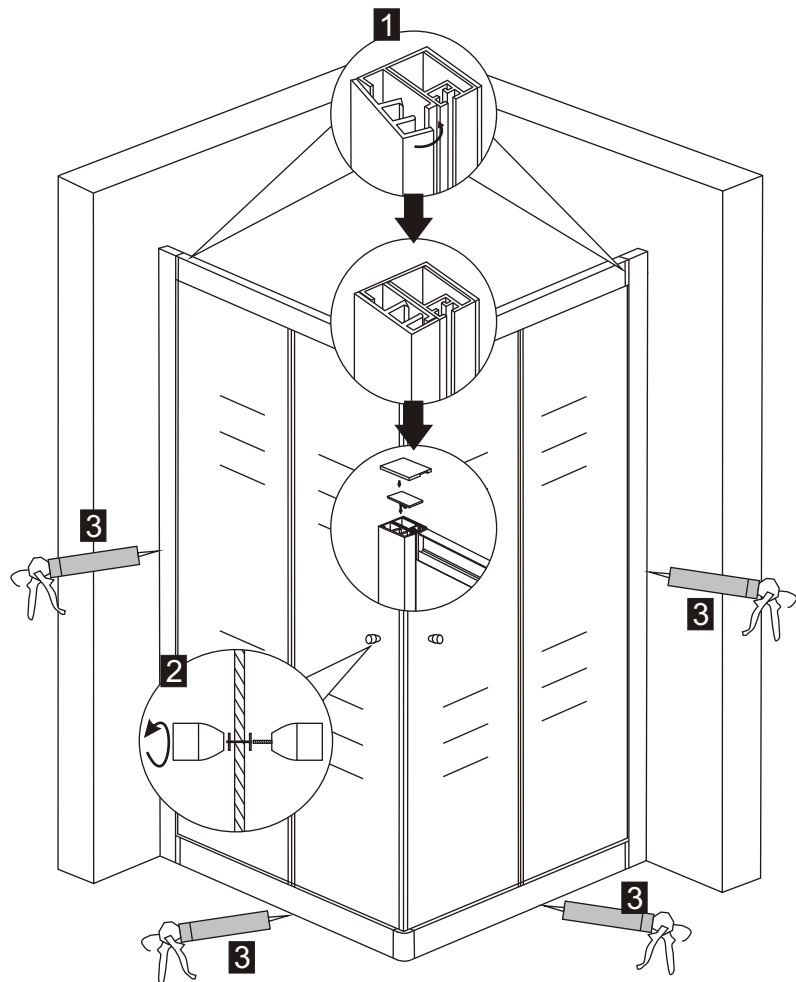
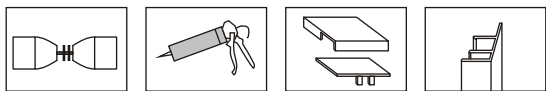
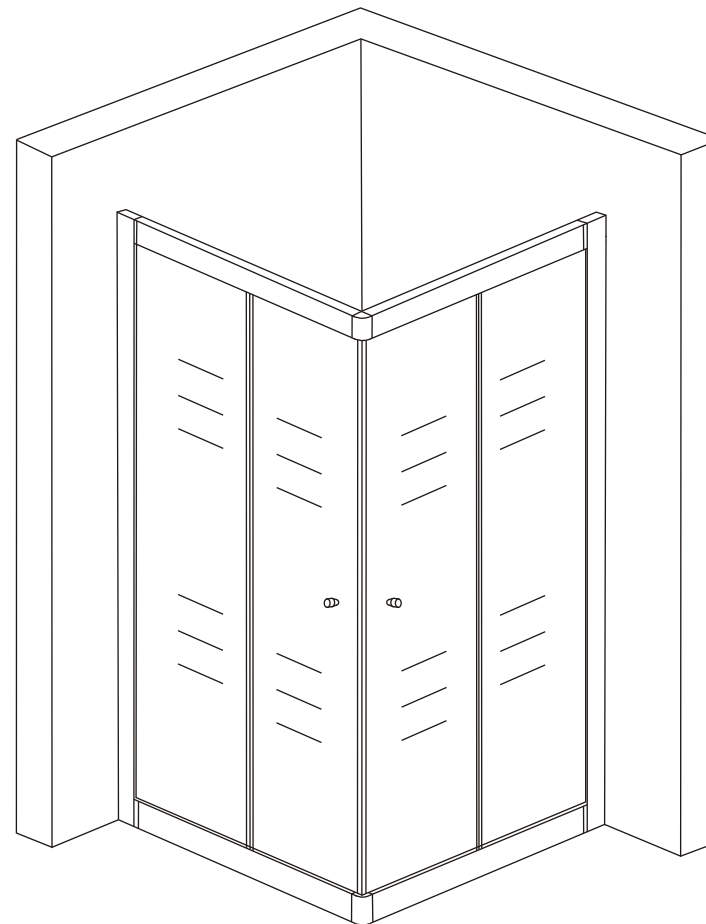


1. Install the aluminium decoration.
2. Install the handle.
3. Use silicon to seal the gap between aluminum track and shower tray.

**Attention: Do not use any corrosion liquid to clean the aluminum and other metal parts when daily maintenance.**



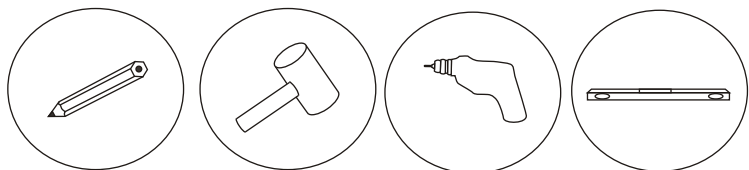
# INSTALLATION MANUAL



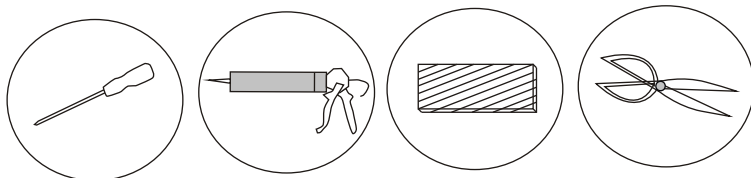
BL-015

**RoHS**  **ISO9001:2000**

# TOOL PICTURE

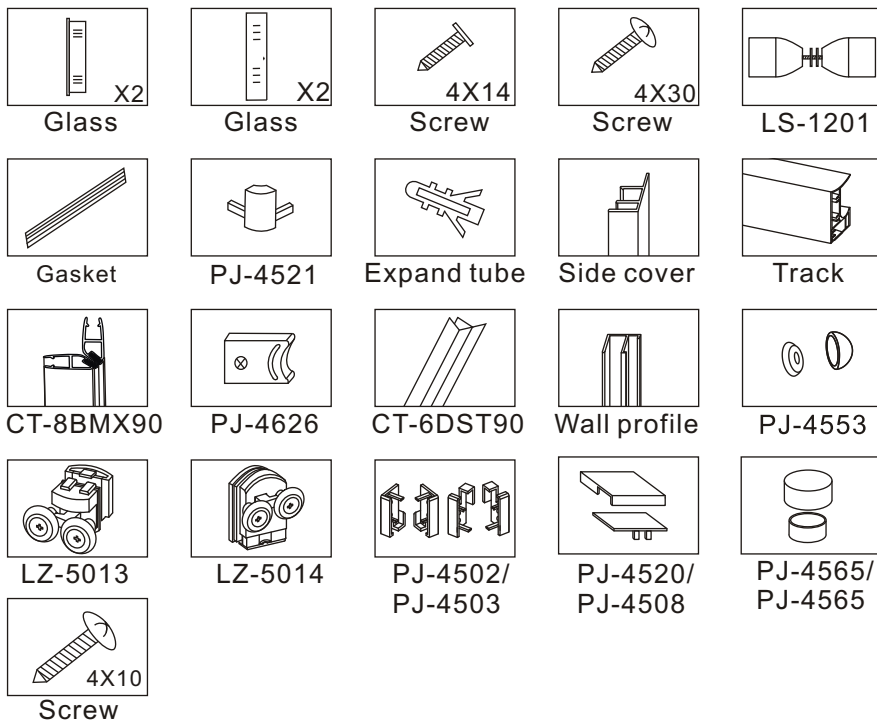


Pencil Rubber hammer Drill machine Level ruler

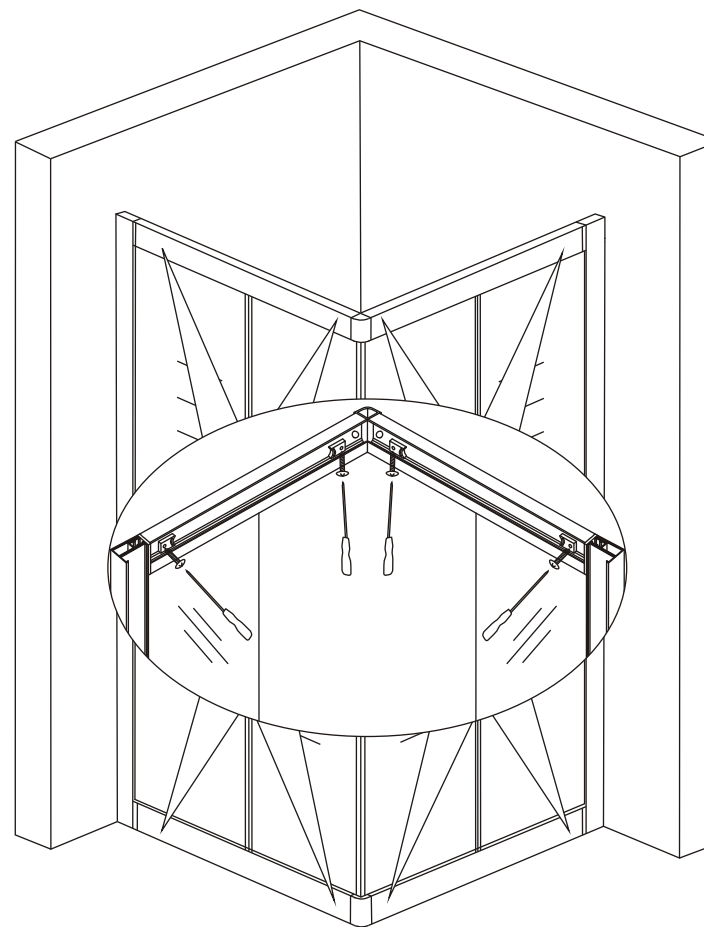
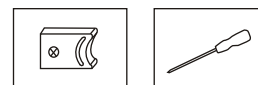


Cross screw driver Silicon gel Wooden piece Scissors

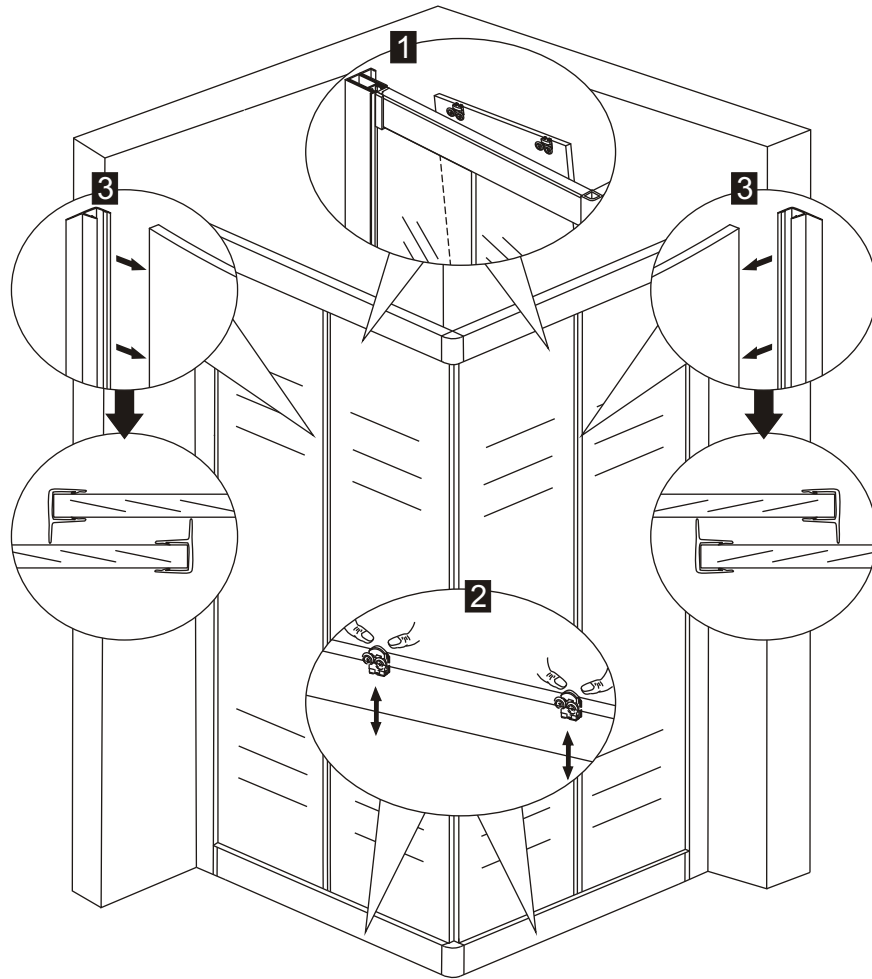
## Accessory list



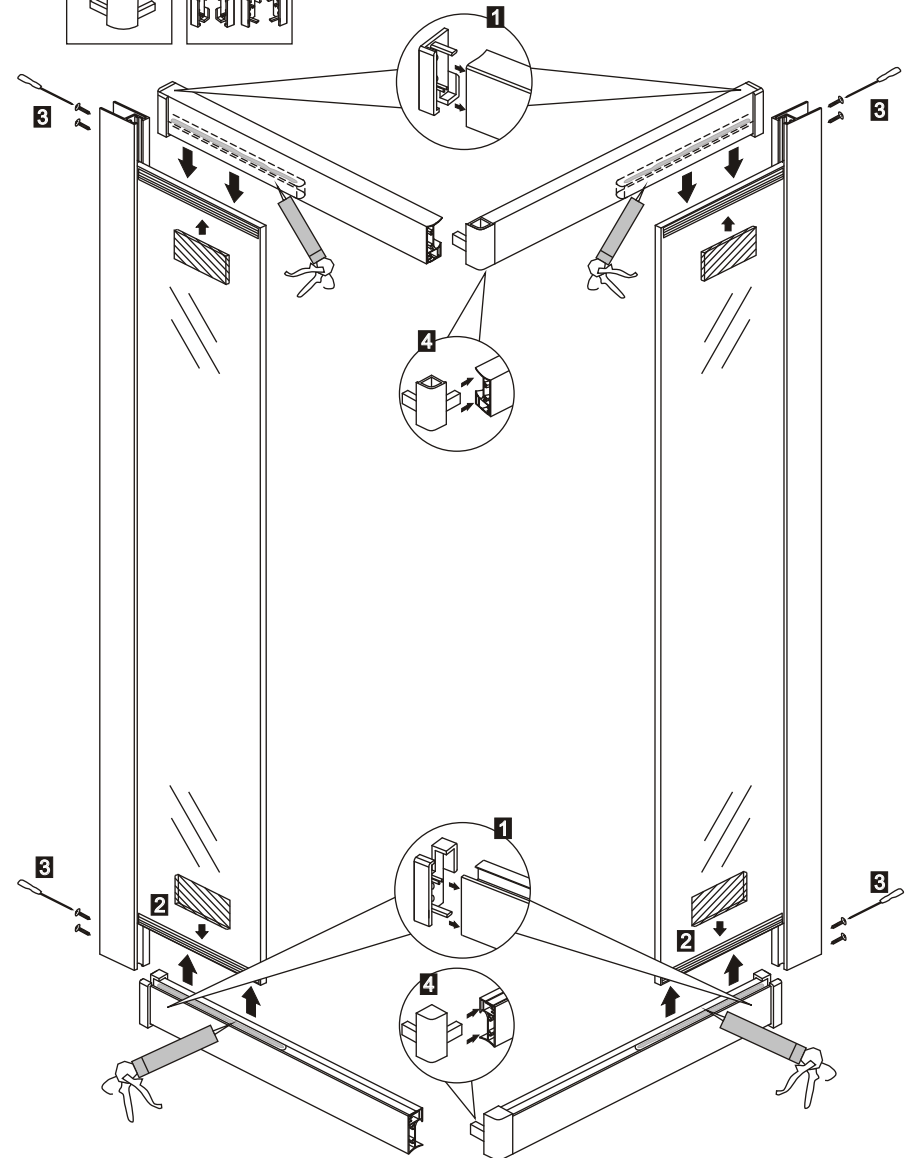
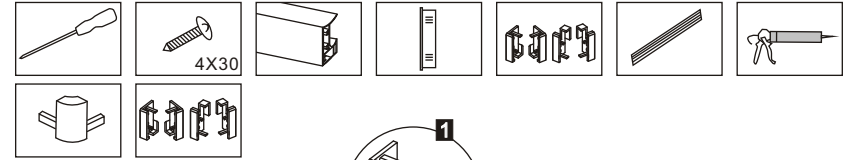
Install the bumper block of the upper and down sliding rail.



1. Put the door in the aluminium track.
2. Install the bottom wheel on the glass door.
3. Install the water-proof gasket.

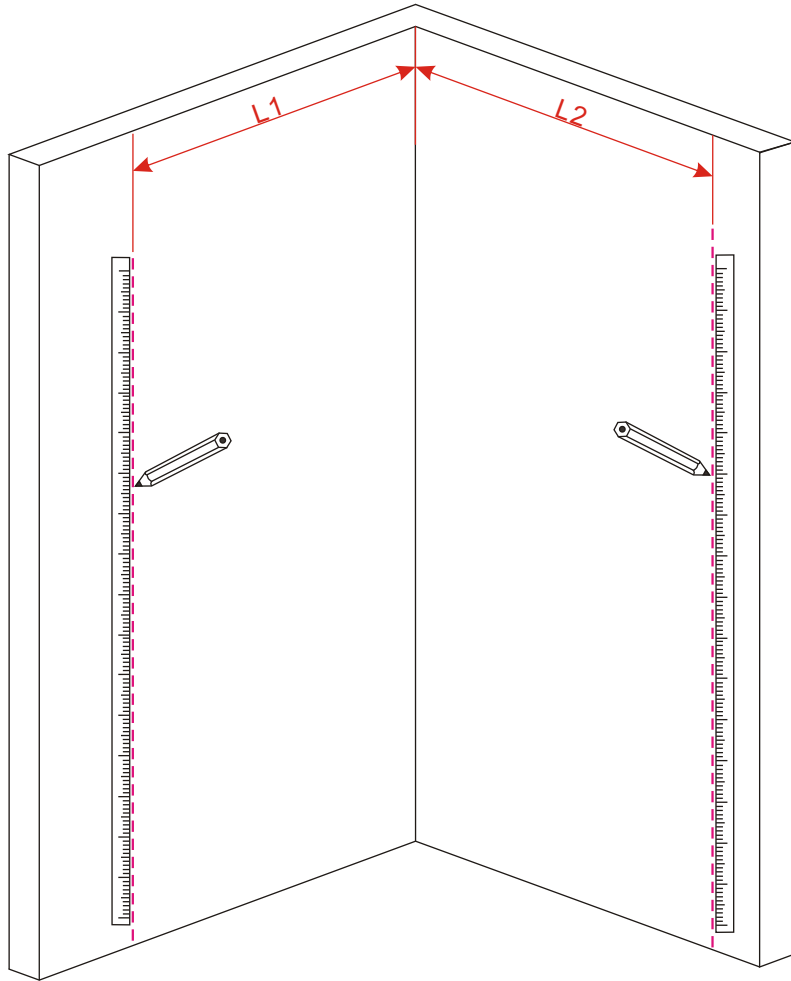


1. Put fixed glass into bottom aluminum track.
2. Put fixed glass into top aluminum track.
3. Connect bottom and top aluminum track with aluminum profile.
4. Install two right angle connection bracket.



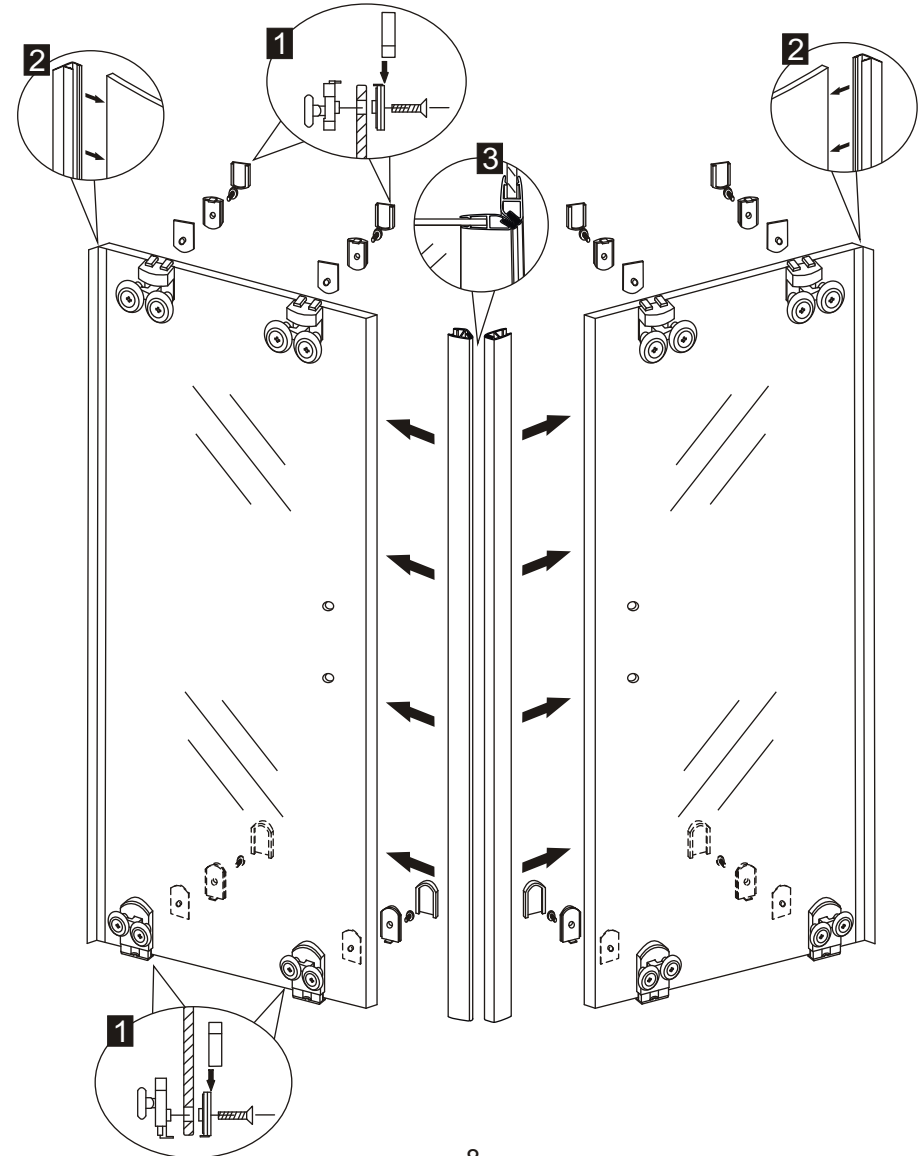
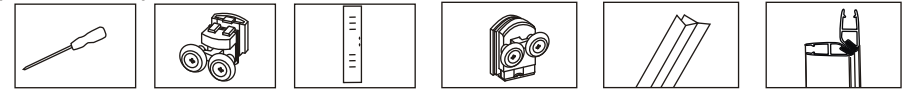
1. Use pencil and ruler draw the vertical installation line

shower enclosure size	The installation size L1	The installation size L2
(680-700)X(880-900)	640-660	840-860
(680-700)X(980-1000)	640-660	940-960
(680-700)X(1180-1200)	640-660	1140-1160
(780-800)X(980-1000)	740-760	940-960



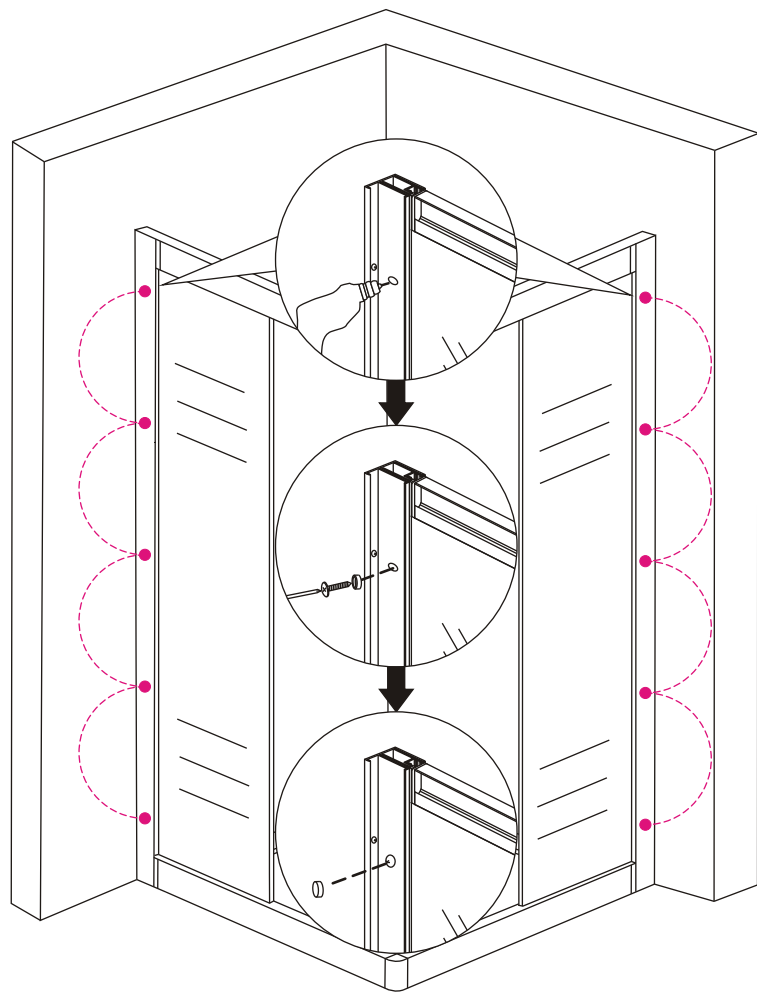
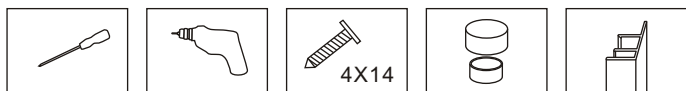
3

1. Install the top wheel on the glass door.
  2. Install the water-proof gasket on the fixed glass.
  3. Install the magnetic gasket on the door.
- Note: the top wheel is adjustable, if you find that the wheel can't slide smoothly after install the shower enclosure, you can use enclosed allen wrench to adjust top wheel as pic 01 shows.

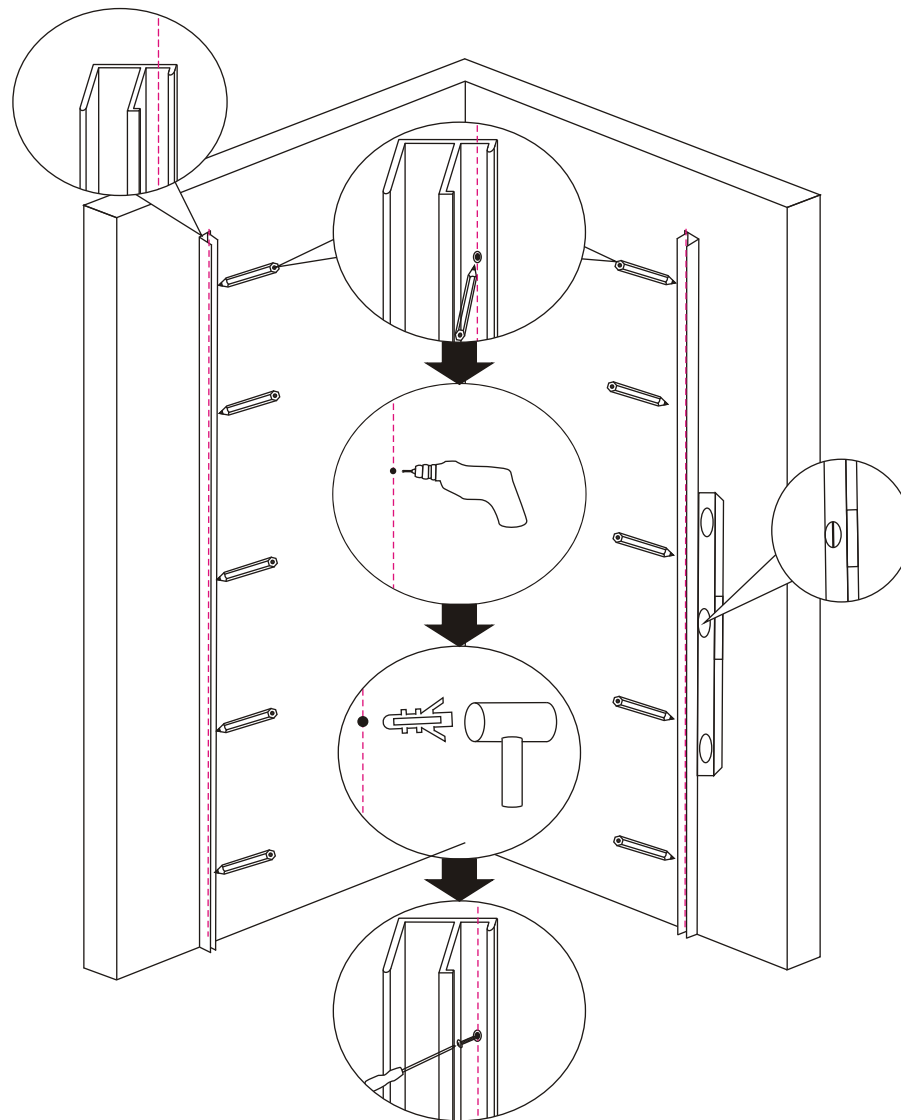
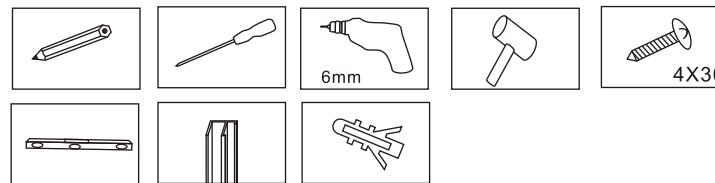


8

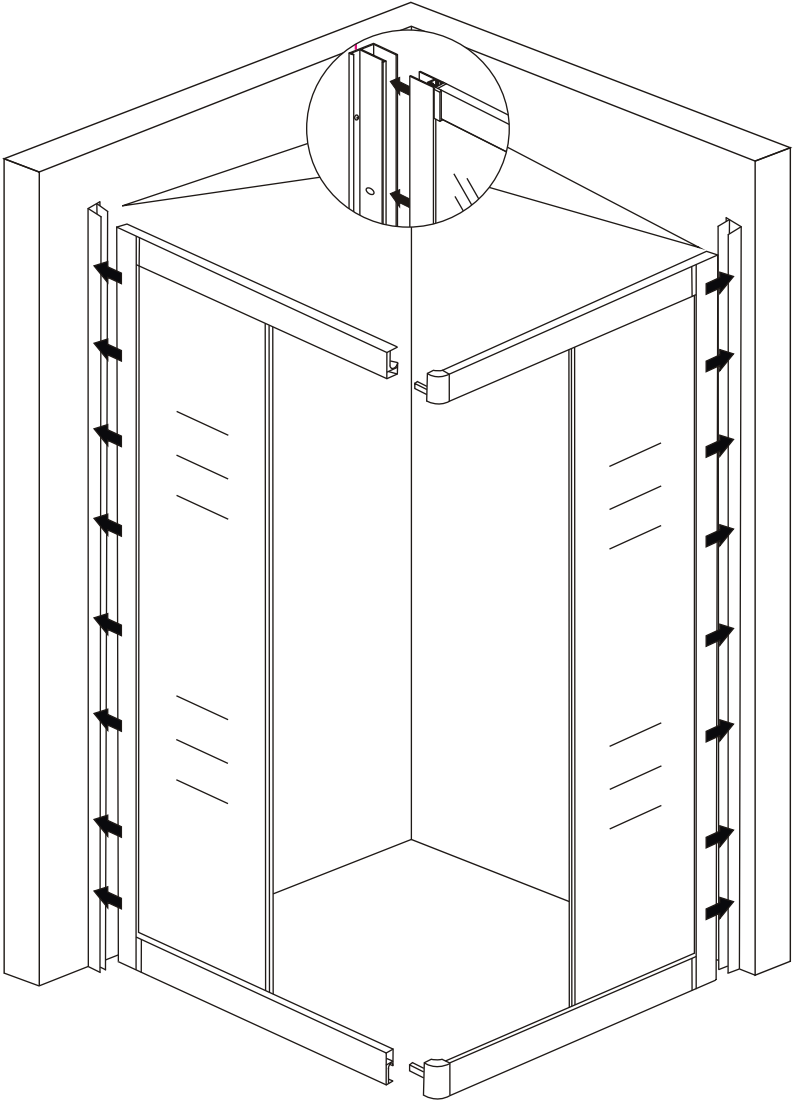
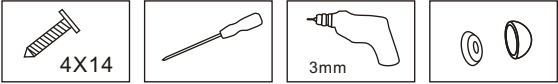
1. Tighten the screws (five screws at each side of the wall profile) ,  
Put the cover on.



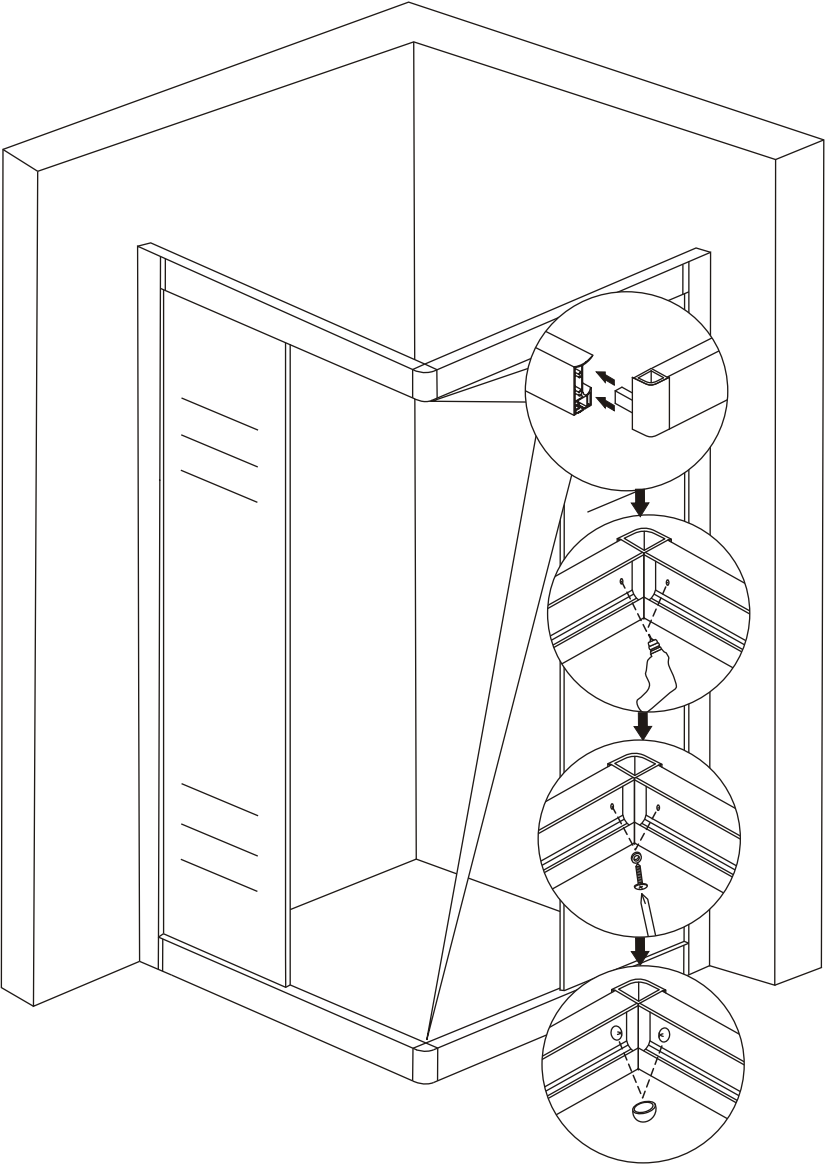
Install the wall aluminium profile at both sides.



Fix the corner connection part.



5



6