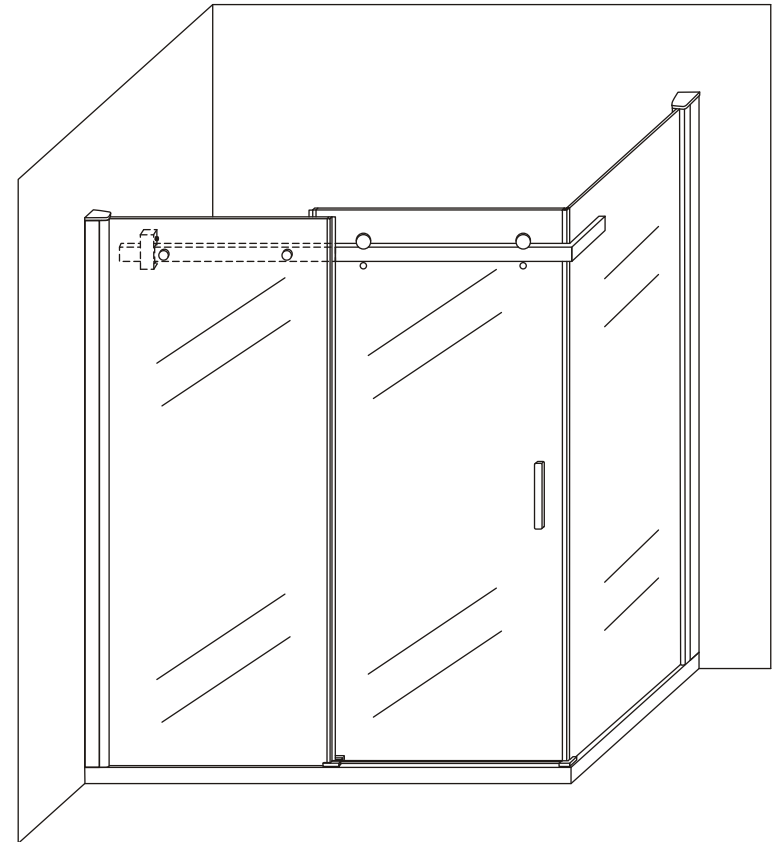


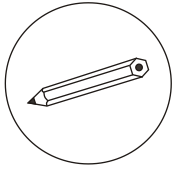
INSTALLATION MANUAL



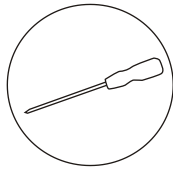
BL-045F

RoHS  **ISO9001:2000**

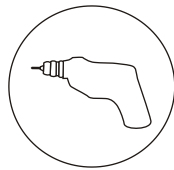
TOOL PICTURE



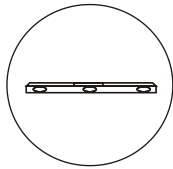
Pencil



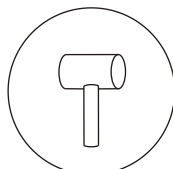
Cross screw driver



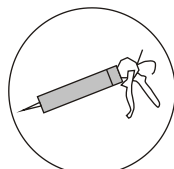
Drill machine (6mm)



Level ruler

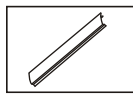


Rubber hammer

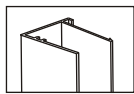


Silicon gel

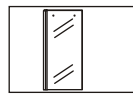
Accessory list



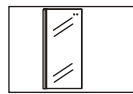
Side cover



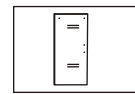
Wall profile



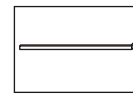
Glass



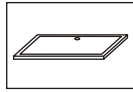
Glass



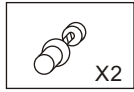
Glass



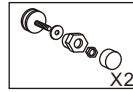
Rail bar



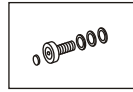
Tray



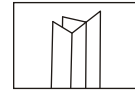
PJ-4419



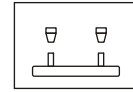
LZ-5012



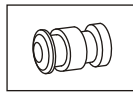
Screw



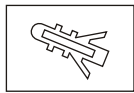
CT-8DST90



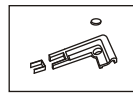
LS-1009



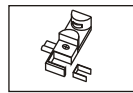
PJ-4038



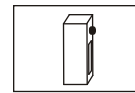
Expand tube



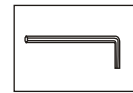
PJ-4148



PJ-4131



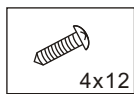
PJ-4012



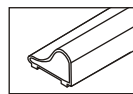
PJ-4026



Screw 4x30



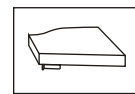
Screw 4x12



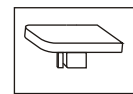
Aluminum bottom bar



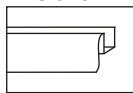
CT-8BMX90



PJ-4514/
PJ-4515

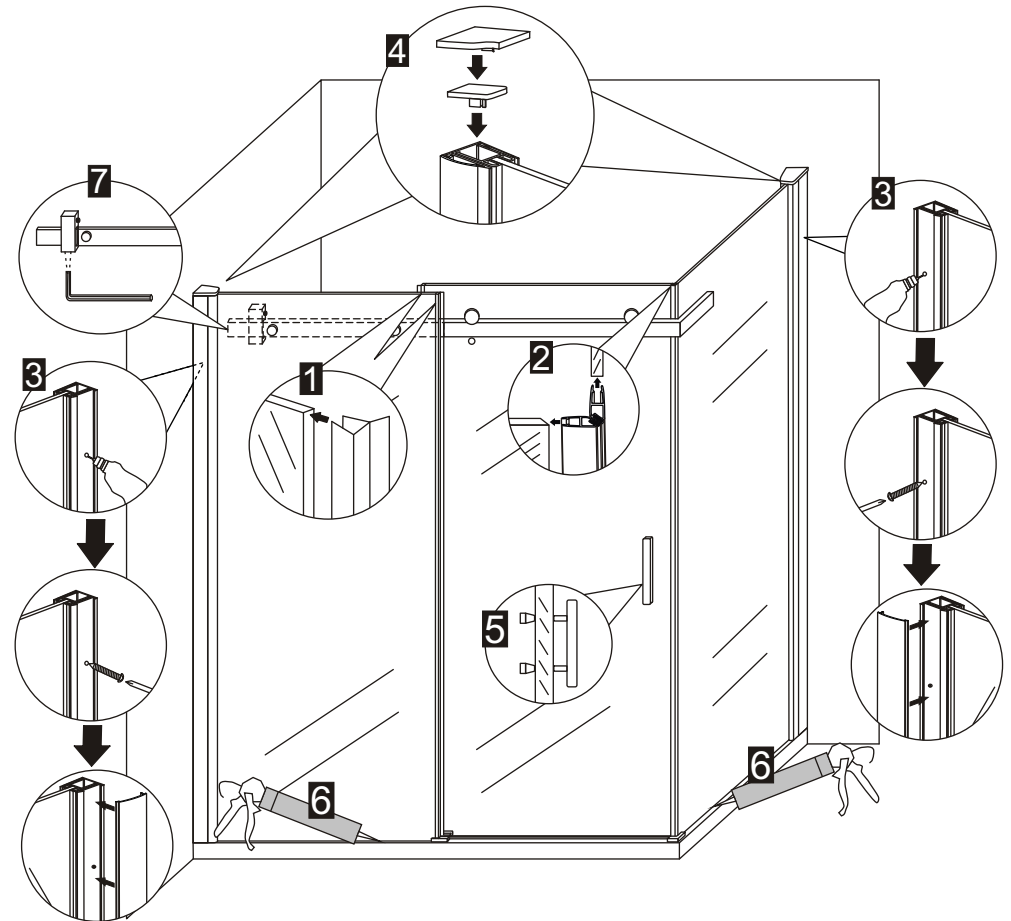
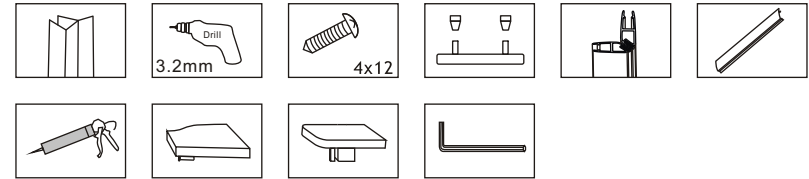


PJ-4509

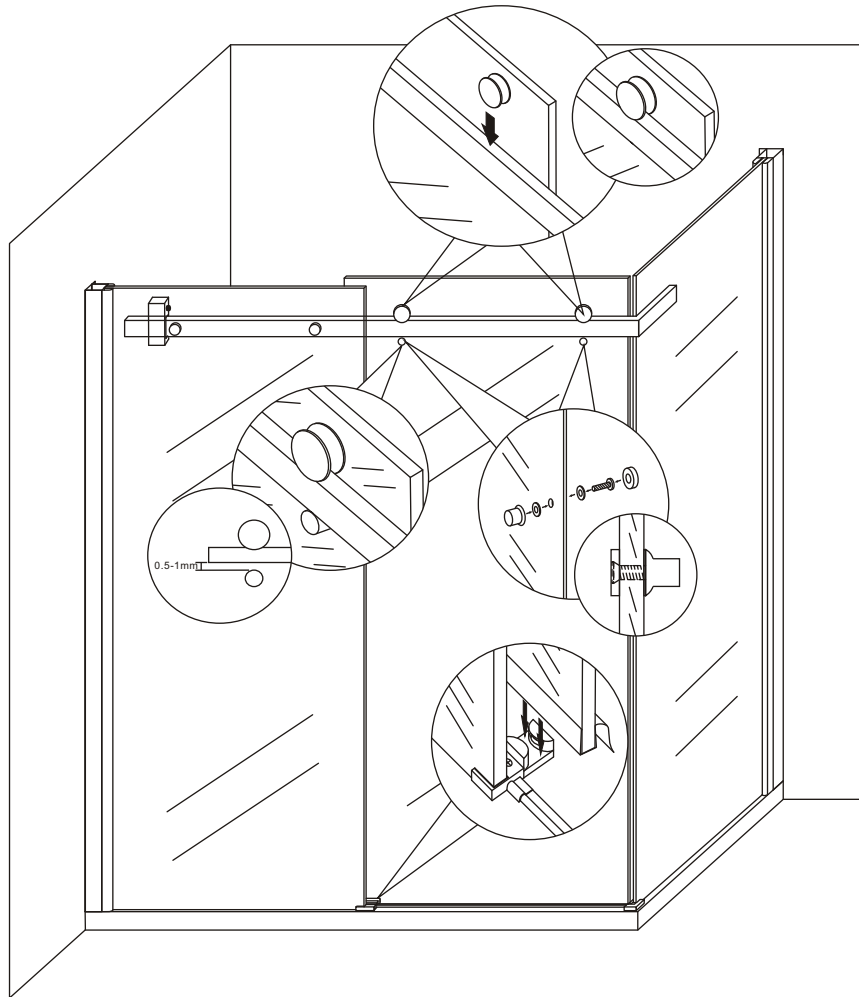
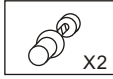


8S-180

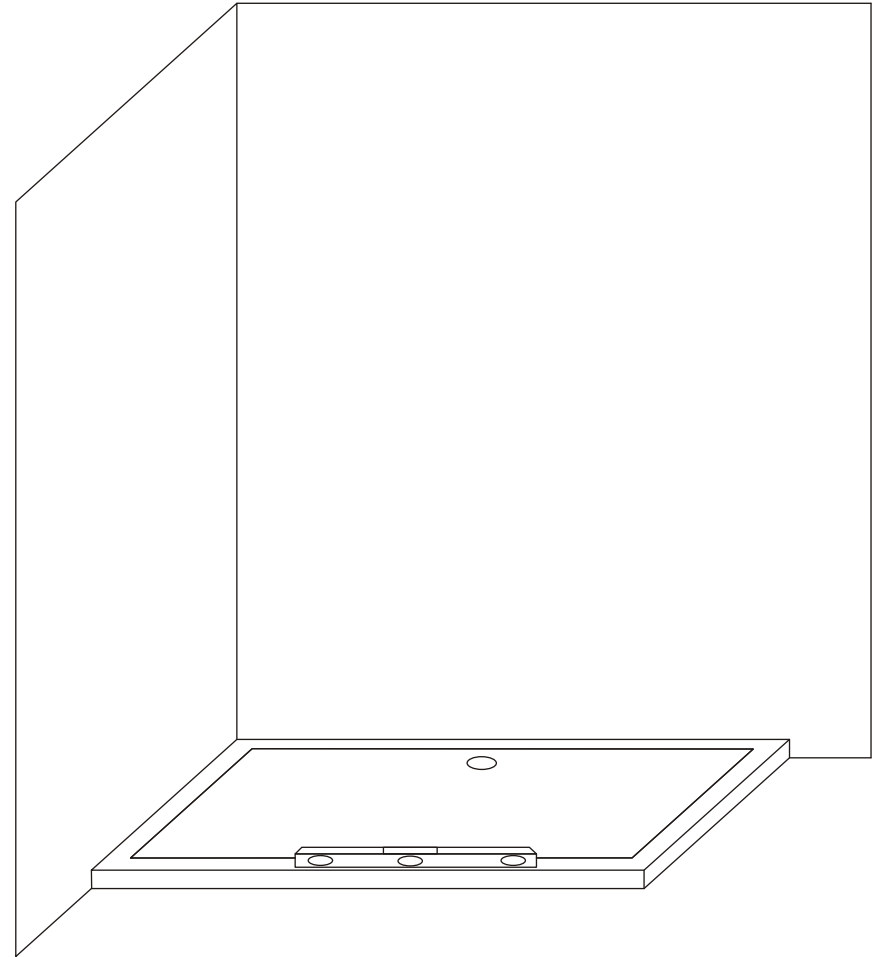
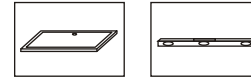
1. Fix the side rubber water proof strip on the fixed glass and the door glass.
2. Install the megatic gasket between the door glass and the fixed glass.
3. Make holes on the aluminum profile and tighten the screws, then install the decorative aluminum part.
4. Install the decoration cap onto the wall profiles.
5. Install the handle.
6. Add some silicone along the fixed glass.
7. Move the door glass to the same direction with the fixed glass to a proper position and fix rightly the metal part with hexagon, see detail photos.



1. Hang the door glass onto the rail and keep the bottom part of the door glass into the bottom rectangle metal part .
2. Install the small glass holder and fasten it onto the glass. Pls note you must adjust well the roller to make sure the small glass holder match close to rail at about 0.5-1mm to prevent the glass fall down or coming out .

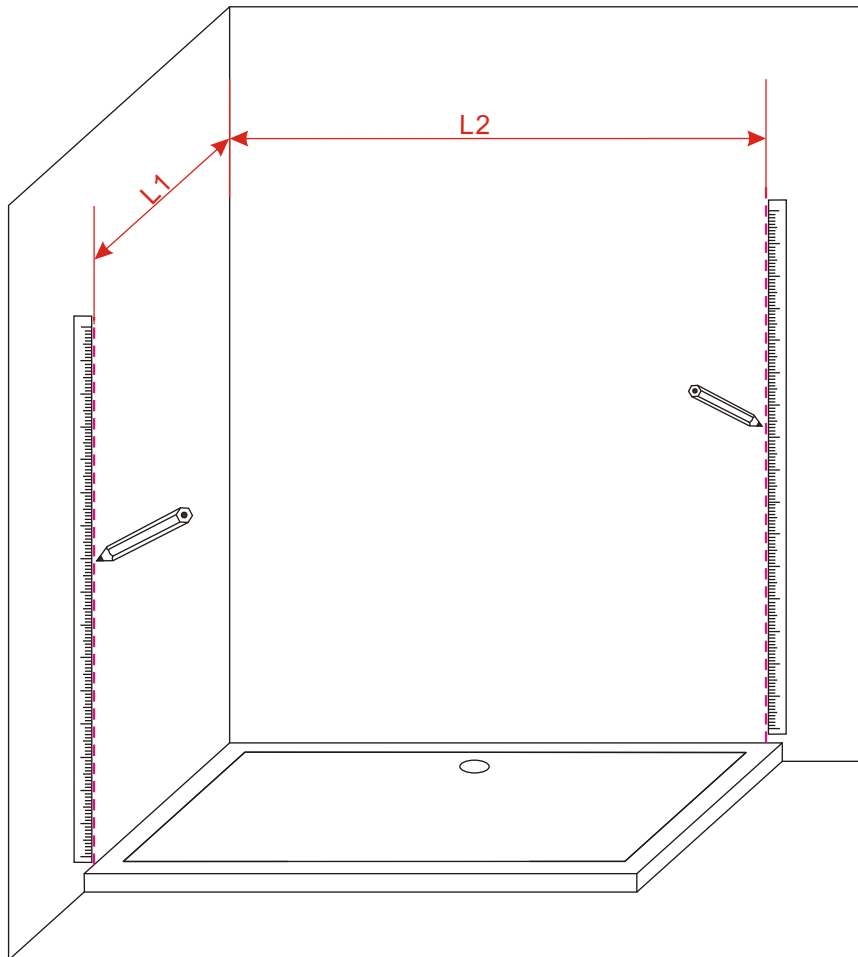


Put the tray on the floor and make sure it is level with a level ruler .



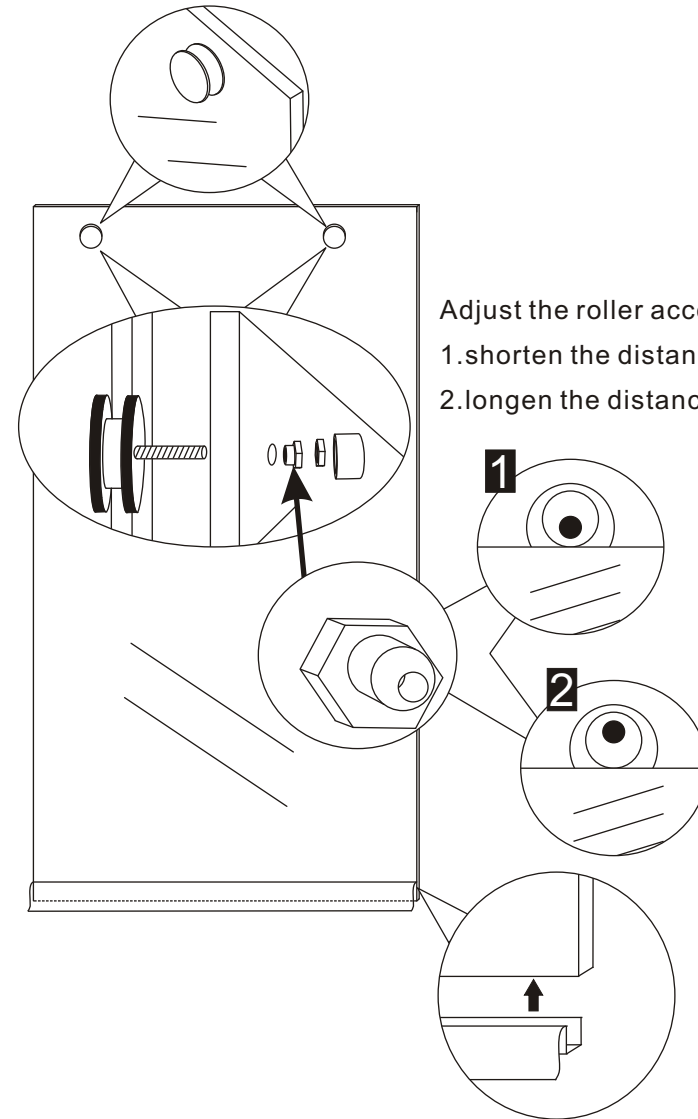
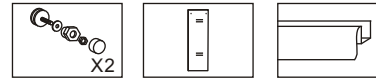
1. Use pencil and ruler draw the vertical installation line

shower enclosure size	The installation size L1	The installation size L2
(760-780)X(960-980)	735-755	935-955
(760-780)X(1160-1180)	735-755	1135-1155
(660-680)X(860-880)	635-655	835-855
(660-680)X(960-980)	635-655	935-955
(660-680)X(1160-1180)	635-655	1135-1155



3

1. Install the rollers on the door glass and fix them tightly.



Adjust the roller accordingly:

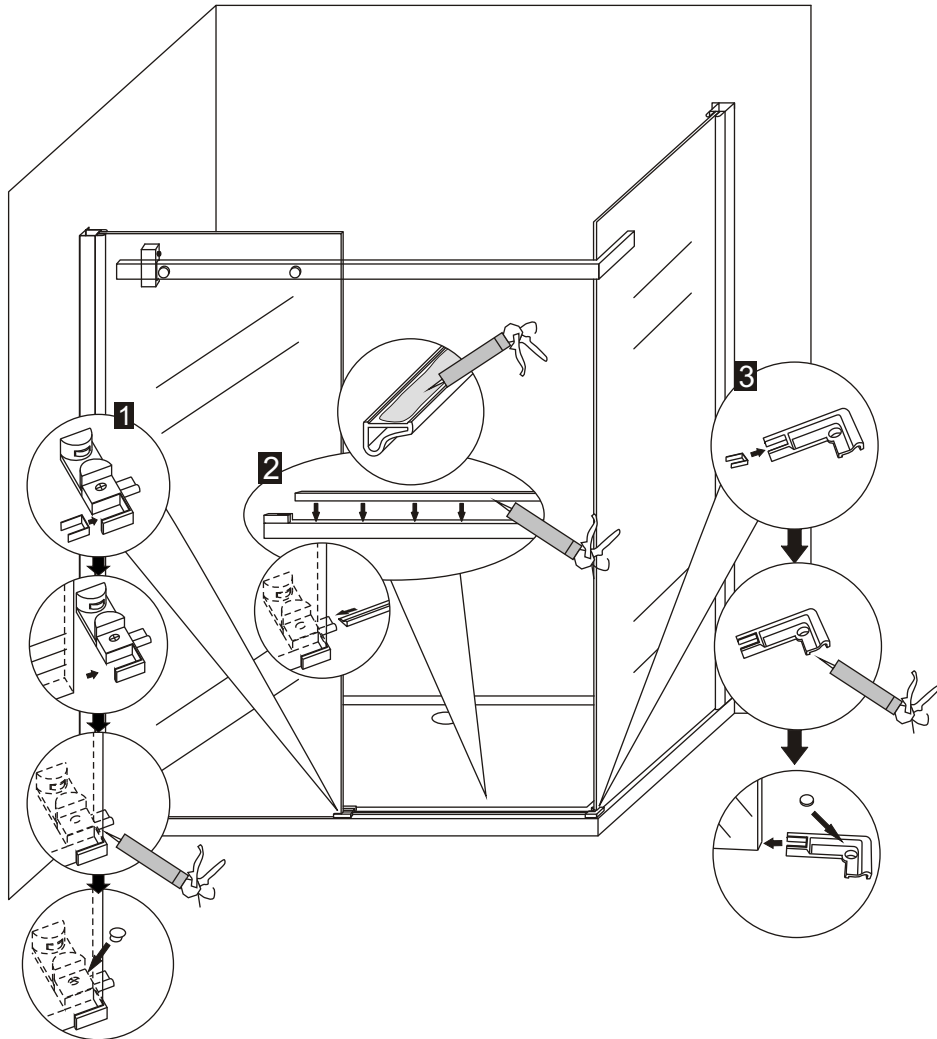
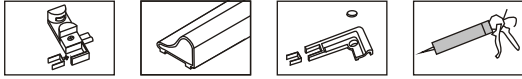
1. shorten the distance of glass and the rail.
2. lengthen the distance of the glass and rail.

8

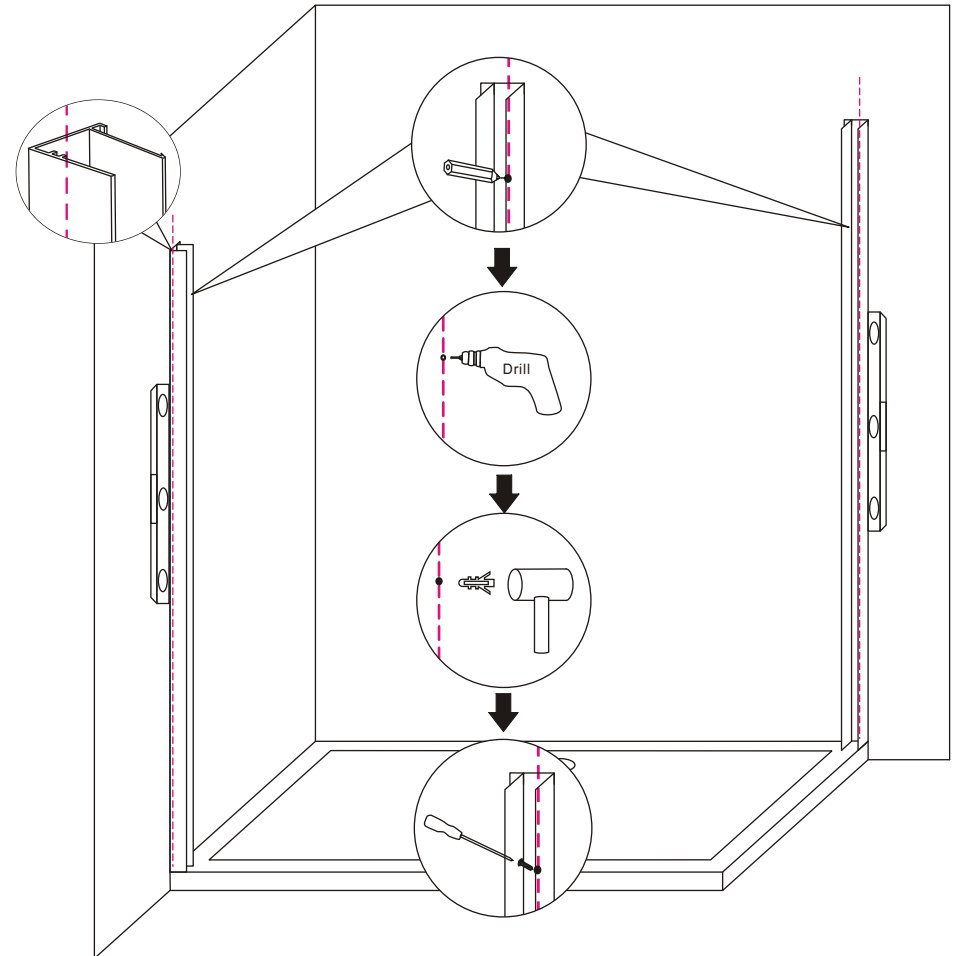
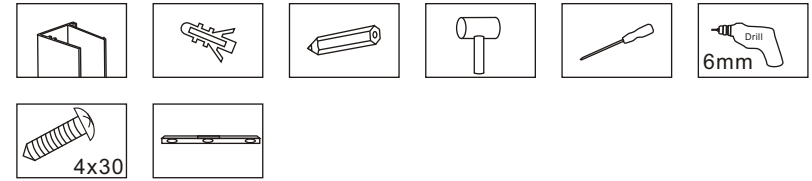
1. Insert the rectangle metal part into the fixed glass , make sure the position and make the glass silica gel , Install the decorative pieces (as the picture show) .

2. Install the water-proof aluminum profile with silicone.

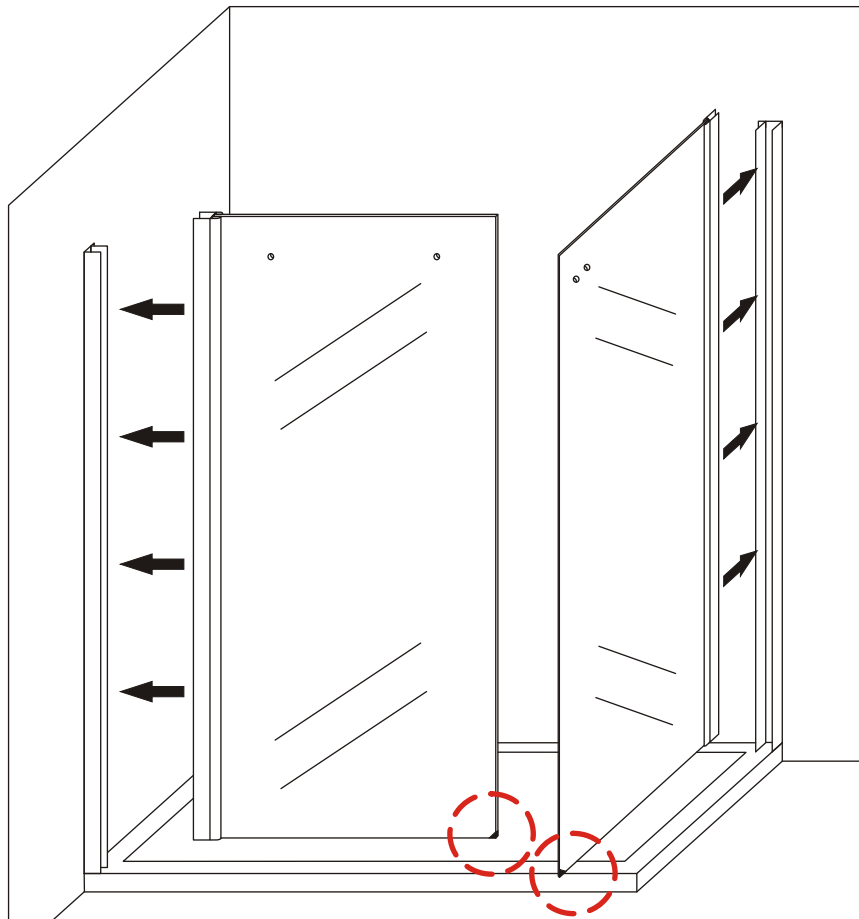
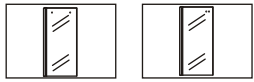
3. Insert the 90°water-proof aluminum profile into the fixed glass and make the glass silica gel.



1. aluminum profile, the wall aluminum profile should be in the same plane with the tray of the edge.



1. Insert the two fixed glasses into the wall aluminum profile.



Attention: Do not remove the Black corner protector until insert well the glass into the wall profiles and fit well to prevent glass broken and splitted.



1. Put the stop block into the sliding guide rails.
2. Install the sliding guide rails according the glass holes.
3. Install the connector between the fixed door and sliding guide rails , use Use inner hexagon spanner to fixed.

