

Miniature Couplings
Bellows Couplings
Servo Insert Couplings
Line Shafts





KBK – The Company

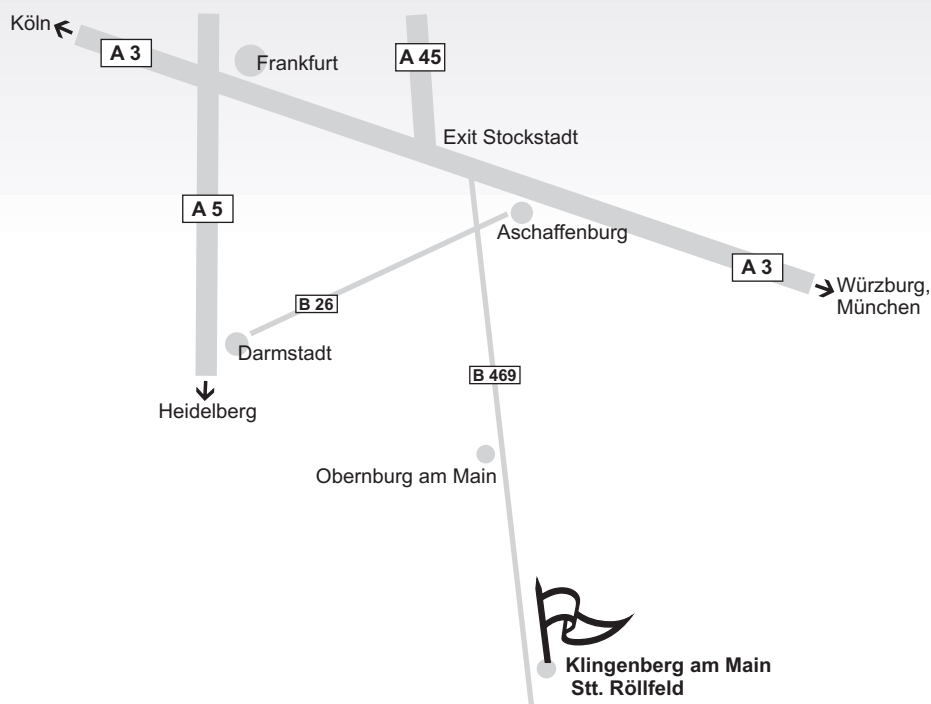
KBK Antriebstechnik GmbH was founded in July 2003.

Our vision of manufacturing high quality products “made in Germany” at competitive prices made us become the supplier of a steadily growing number of satisfied customers in 52 countries.

KBK products are the result of over thirty years experience in developing and manufacturing couplings and locking devices.

In 2010 we have extended not only our product range but also our production site to over 1000 square meters and have refurbished our NC turning lathes and Milling machines. This helps us to dispatch standard as well as customized products within two hours.

Our manufacturing facilities are located only 50 minutes from Frankfurt International Airport, which also enables us to provide worldwide short and punctual deliveries.





CONTENTS

Miniature Bellows Couplings	Page 2
KB 1 - with Set Screws 0,1 - 10 Nm	Page 3
KB 2 - with Collet Clamps 0,1- 10 Nm	Page 4
KB 2H - with Split Hubs 0,5 - 10 Nm	Page 5
KB 2VA - Stainless Steel, glued or welded 0,1 - 10 Nm	Page 6
KB 3 - with Expanding Clamps 0,5 - 10 Nm	Page 7
Bellows Couplings	Page 8
KB 4 - with Collet Clamps up to 1400 Nm	Page 9
KB 4H - with split Hubs up to 500 Nm	Page 10
KB 4AI - with Aluminium Collet Clamps up to 500 Nm	Page 11
KB 4C - with compact Version Collet Clamps up to 500 Nm	Page 12
KB 4VA - stainless steel glued or welded up to 500 Nm	Page 13
KB 5 - inner conical Hubs up to 5000 Nm	Page 14
KB 6 - outer conical Hubs up to 5000 Nm	Page 15
KB 7 - for Flange mounting up to 5000 Nm	Page 16
KB 8 - with Expanding Clamp up to 300 Nm	Page 17
Servo Insert Couplings	Page 18
KBE 1 - with Set Screws Sizes 7 - 48	Page 19
KBE 2 - with Collet Clamps Sizes 7 - 19	Page 20
KBE 2 - with Collet Clamps Sizes 24 - 48	Page 21
KBE 2C - Compact Version with Collet Clamps Sizes 19 - 38	Page 22
KBE 2H - with Split Hubs Sizes 19 - 48	Page 23
KBE 3 - with outer conical Hubs Sizes 14 - 48	Page 24
KBE 3C - Compact Version with outer conical Hubs Sizes 14 - 48	Page 25
KBE 4 - with Expanding Clamps Sizes 14 - 38	Page 26
Line Shafts	Page 27
DRE - with Elastomer Inserts Sizes 14 - 48	Page 28
DRB - with Metal Bellows Sizes 4,5 - 500	Page 29





MINIATURE COUPLINGS

KB1/1~100

Miniature Metal Bellows Couplings
with Set Screws



KB2/1~100

Miniature Metal Bellows Couplings
with Collet Clamps



KB2H/5~100

Miniature Metal Bellows Couplings
with Split Hubs



KB2VA/1~100

Miniature Metal Bellows Couplings
with Collet Clamps in Stainless Steel

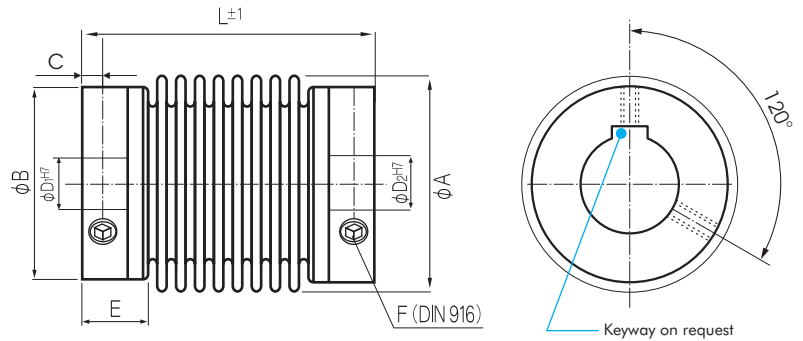


KB3/5~100

Miniature Metal Bellows Couplings
with Expanding Clamps



Miniature Metal Bellows Coupling



Order Code: KB 1 / 45 - 40 - 10 - 18 - S

Type / Size Length L Ø D1 Ø D2 Options

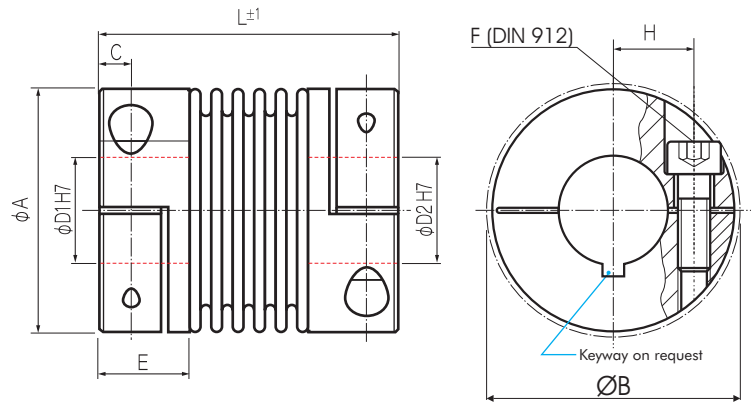
	Torque T _{KN} (Nm)	Dimensions (mm)							Technical Ratings							
		L	Ø A	D1/D2	Ø B	C	E	F	Mass (g)	Moment of Inertia J (g cm ²)	Spring Stiffness			Misalignment		
		Length (±1)	Outer Ø	Bohre Sizes (H7) min ~ max	Hub Ø		Hub- Length	Screw (DIN 916) T _A (Nm)			torsinal C _T (Nm/rad)	radial C _R (N/mm)	axial C _A (N/mm)	radial ΔK _r (mm)	axial ΔK _a (mm)	angular ΔK _w (°)
KB1/1	0.1	23	10	1-4	10	2	6	M3	3	0.45	65	10	14	0.12	0.2	1.2
								0.5								
KB1/5	0.5	19	15	3-8	13.5	2	6	M3	4	1.3	260	43	13	0.1	0.2	1
		23						4.5	1.5	200	18	10	0.15	0.3	1.5	
		27						5	1.6	160	9	8	0.2	0.4	2	
KB1/10	1	21	15	3-8	13.5	2	6	M3	5.5	1.8	510	74	27	0.1	0.2	1
		25						6	2	380	31	20	0.15	0.3	1.5	
		29						7	2.3	310	16	16	0.2	0.4	2	
KB1/15	1.5	26	19	3-12	19	3	8	M4	10	6	750	59	15	0.1	0.3	1.5
		30						12	7.4	700	20	9	0.15	0.4	2	
KB1/20	2	22	24	3-14	21.5	3	6	M4	11	9.2	1500	67	12	0.15	0.3	1.5
		28						13	12.6	1300	21	11	0.2	0.4	1.5	
		32						15	13.5	1050	11	9	0.25	0.5	2	
KB1/45	4.5	40	32	6-18	29	4	12	M6	44	68	6500	168	32	0.1	0.3	1.5
		48						3	50	79	4200	41	20	0.2	0.5	2
KB1/100	10	45	40	6-24	36	4	12	M6	60	150	8100	120	27	0.15	0.4	1.5
		55						3	79	210	6800	29	17	0.3	0.6	2

- ⊙ Speed: max. 15000 min⁻¹
- ⊙ Hub: Bore Tolerance: H7 Keyway acc. DIN 6885 optional
- ⊙ Material: Bellows - Stainless Steel
Hub - Aluminium (also available in Stainless Steel)
- ⊙ Temperature Range: -30° ~ 120° C



Miniature Metal Bellows Coupling

with Collet Clamps



Order Code: KB 2 / 45 - 50 - 10 - 16 - S

Type / Size Length L Ø D1 (H7) Ø D2 (H7) Options

	Torque T _{KN} (Nm)	Dimensions (mm)								Technical Ratings							
		L Length (±1)	Ø A Outer Ø	D1/D2 Bore Sizes (H7) min ~ max	H	C	Ø B Max. Ø	E Hub- length	F Screw (DIN 912) T _A (Nm)	Mass (g)	Moment of Inertia J (g cm ²)	Spring Stiffness			Misalignment		
												torsional C _T (Nm/rad)	radial C _R (N/mm)	axial C _A (N/mm)	radial ΔK _r (mm)	axial ΔK _a (mm)	angular ΔK _w (°)
KB2/1	0.1	25	10	1-4	3.4	2	11	7	M1.6	3	0.5	65	10	14	0.12	0.2	1.2
		0.1															
KB2/5	0.5	21	15.5	3-8	5.2	2.5	17.5	8	M2	7.5	2.7	260	43	13	0.1	0.2	1
		25							7.8	2.8	200	18	10	0.15	0.3	1.5	
		28							8.2	3	160	9	8	0.2	0.4	2	
KB2/10	1	23	15.5	3-8	5.2	2.5	17.5	8	M2	9	3.1	510	74	27	0.1	0.2	1
		26							9.3	3.4	380	31	20	0.15	0.3	1.5	
		31							10	3.7	310	16	16	0.2	0.4	2	
KB2/15	1.5	26	20	3-10	7	3	21	9	M2.5	13	8	750	59	15	0.1	0.3	1.5
		31							15	9.3	700	20	9	0.15	0.4	2	
KB2/20	2	32	25	3-14	9	3.5	27	11	M3	29	24	1500	67	12	0.15	0.3	1.5
		38							32	27	1300	21	11	0.2	0.4	1.5	
		42							2	33	29	1050	11	9	0.25	0.5	2
KB2/45	4.5	41	32.5	6-16	12	5	34	14	M4	61	100	6500	168	32	0.1	0.3	1.5
		50							3.5	67	112	4200	41	20	0.2	0.5	2
KB2/100	10	47	40.5	6-25	15.5	5	41.5	14	M4	86	233	8100	120	27	0.15	0.4	1.5
		57							4.5	106	290	6800	29	17	0.3	0.6	2

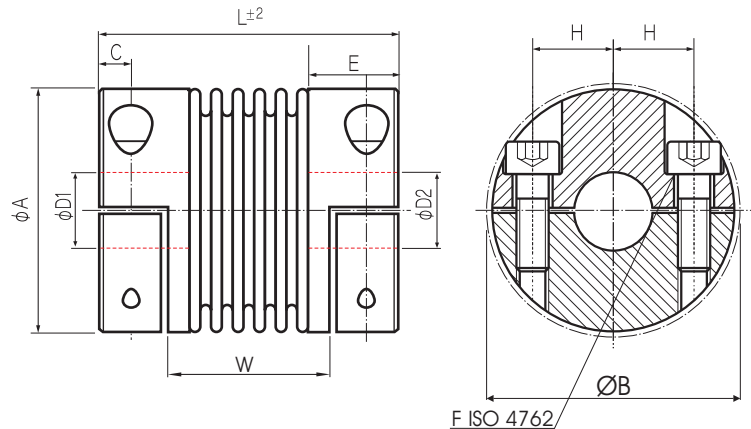
Speed: max. 15000 min⁻¹

Hub: Bore Tolerance: H7 Keyway acc. DIN 6885 optional

Material: Bellows - Stainless Steel
Hub - Aluminium (also available in Stainless Steel)

Temperature Range: -30° ~ 120° C

Miniature Metal Bellows Coupling with Split Hubs



Order Code: KB 2H / 45 - 50 - 10 - 16 - S

Type / Size Length L Ø D1 (H7) Ø D2 (H7) Options

	Torque TKN (Nm)	Dimensions (mm)									Technical Ratings							
		L	Ø A	D1/D2	H	C	ØB	E	W	F	Mass (g)	Moment of Inertia J (g cm ²)	Spring Stiffness			Misalignment		
		Length (±1)	Outer Ø	Bore Sizes (H7) min ~ max						Screw (DIN 912) TA (Nm)			torsional CT (Nm/rad)	radial CR (N/mm)	axial CA (N/mm)	radial ΔKr (mm)	axial ΔKa (mm)	angular ΔKw (°)
KB2H/5	0.5	21	15.5	3-7	5.2	2.5	17.5	8	12	M2	7.5	2.7	260	43	13	0.1	0.2	1
		16							0.43	7.8	2.8	200	18	10	0.15	0.3	1.5	
		19								8.2	3	160	9	8	0.2	0.4	2	
KB2H/10	1	23	15.5	3-8	5.2	2.5	17.5	8	14	M2	9	3.1	510	74	27	0.1	0.2	1
		17							0.43	9.3	3.4	380	31	20	0.15	0.3	1.5	
		22								10	3.7	310	16	16	0.2	0.4	2	
KB2H/15	1.5	26	20	3-10	7	3	21	9	14.4	M2.5	13	8	750	59	15	0.1	0.3	1.5
		19.4							0.85	15	9.3	700	20	9	0.15	0.4	2	
KB2H/20	2	32	25	3-14	9	3.5	27	11	18.4	M3	29	24	1500	67	12	0.15	0.3	1.5
		24.4							2	32	27	1300	21	11	0.2	0.4	1.5	
		28.4								33	29	1050	11	9	0.25	0.5	2	
KB2H/45	4.5	41	32.5	6-16	12	5	34	14	24	M4	61	100	6500	168	32	0.1	0.3	1.5
		33							3.5	67	112	4200	41	20	0.2	0.5	2	
KB2H/100	10	48	40.5	6-22	15.5	5	41.5	14	30	M4	86	233	8100	120	27	0.15	0.4	1.5
		39							4.5	106	290	6800	29	17	0.3	0.6	2	

⊙ Speed: max. 15000 min⁻¹

⊙ Hub: Bore Tolerance: H7 Keyway acc. DIN 6885 optional

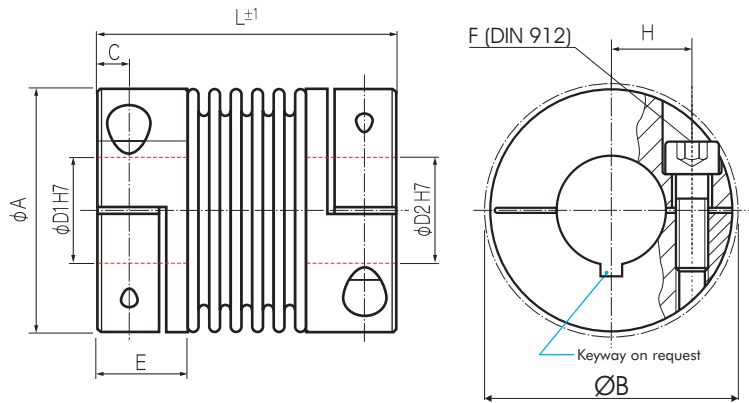
⊙ Material: Bellows - Stainless Steel
Hub - Aluminium (also available in Stainless Steel)

⊙ Temperature Range: -30° ~ 120° C



Miniature Metal Bellows Coupling Stainless Steel

with Collet Clamps



Order Code: KB 2 / 45 - 55 - 10 - 16 - VA/VAW

Type / Size

Length L

Ø D1 (H7)

Ø D2 (H7)

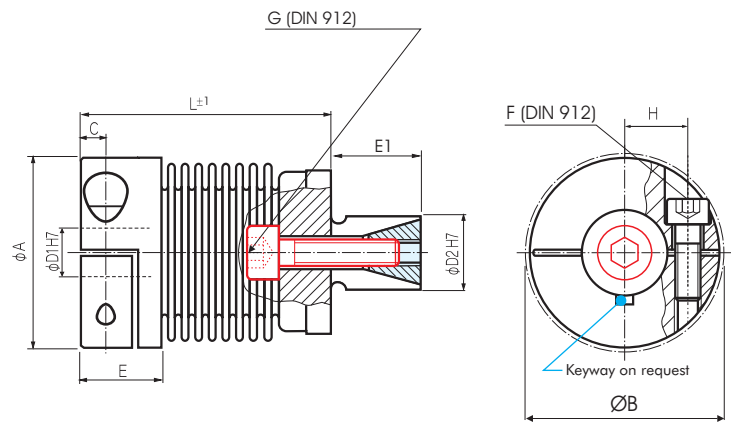
Stainless Steel laser-beam-welded
Stainless Steel glued

VA/VAW	Torque T _{KN} (Nm)	Dimensions (mm)								Technical Ratings							
		L Length (±1)	Ø A Outer Ø	D1/D2 Bore Sizes (H7) min ~ max	H	C	Ø B Max Ø	E Hub- length	F Screw (DIN 912) T _A (Nm)	Mass (g)	Moment of Inertia J (g cm ²)	Spring Stiffness			Misalignment		
												torsial C _T (Nm/rad)	radial C _R (N/mm)	axial C _A (N/mm)	radial ΔK _r (mm)	axial ΔK _a (mm)	angular ΔK _w (°)
KB2/1	0.1	25	10	1-4	3.4	2	11	7	M1.6	7	1	65	10	14	0.12	0.2	1.2
									0.1								
KB2/5	0.5	21	15.5	3-7	5.2	2.5	17.5	8	M2	18	5.9	260	43	13	0.1	0.2	1
		25							18	6.2	200	18	10	0.15	0.3	1.5	
		28							19	6.6	160	9	8	0.2	0.4	2	
KB2/10	1	23	15.5	3-7	5.2	2.5	17.5	8	M2	19	6.8	510	74	27	0.1	0.2	1
		26							20	7.5	380	31	20	0.15	0.3	1.5	
		31							21	8.1	310	16	16	0.2	0.4	2	
KB2/15	1.5	26	20	3-10	7	3	21	9	M2.5	36	18	750	59	15	0.1	0.3	1.5
		31							38	21	700	20	9	0.15	0.4	2	
KB2/20	2	32	25	3-12.7	9	3.5	18	11	M3	70	53	1500	67	12	0.15	0.3	1.5
		38							73	60	1300	21	11	0.2	0.4	1.5	
		42							75	64	1050	11	9	0.25	0.5	2	
		47							92	73	1050	11	9	0.25	0.5	2	
KB2/45	4.5	41	32.5	6-16	11.5	5	34	14	M4	133	220	6500	168	32	0.1	0.3	1.5
		48							15.5	166	240	6500	168	32	0.1	0.3	1.5
		50							14	139	246	4200	41	20	0.2	0.5	2
		55							15.5	172	266	4200	41	20	0.2	0.5	2
KB2/100	10	48	40.5	6-22	15.5	5	41.5	14	M4	244	513	8100	120	27	0.15	0.4	1.5
		54							17	300	600	8100	120	27	0.15	0.4	1.5
		57							14	261	638	6800	29	17	0.3	0.6	2
		64							17	317	726	6800	29	17	0.3	0.6	2

- Material: Bellows - Stainless Steel
Hubs - Stainless Steel
- Temperature Range: VA -30° ~ 120° (glued)
VAW -30° ~ 250° (laser-beam-welded)

- Version VA: Stainless Steel glued
Version VAW: Stainless Steel laser-beam-welded
- Keyway acc. DIN 6885 optional

Miniature Metal Bellows Coupling



Order Code: KB 3 / 45 - 52 - 10 - S

Type / Size Length L Ø D1 Options
(H7)

	Torque T _{KN} (Nm)	Dimensions (mm)										Technical Ratings								
		L Length (±1)	Ø A Outer Ø	Bore Sizes (H7) min ~ max		D2 Bore Size (H7)	Ø B Max. Ø	H	C	E	E1	F/G Screw (DIN 912) T _A (Nm)	Mass (g)	Moment of Inertia J (g cm ²)	Spring Stiffness			Misalignment		
				torsional C _T (Nm/rad)	radial C _R (N/mm)										axial C _A (N/mm)	radial ΔK _r (mm)	axial ΔK _a (mm)	angular ΔK _w (°)		
KB3/5	0.5	20	15.5	3-7	8	17,5	5.2	2.5	8	8	M2/M3	12.8	2.9	260	43	13	0.1	0.2	1	
		0.3/1									13.2	3.1	200	18	10	0.15	0.3	1.5		
											13.5	3.2	160	9	8	0.2	0.4	2		
KB3/10	1	22	15.5	3-7	8	17,5	5.2	2.5	8	8	M2/M3	14.1	3.3	510	74	27	0.1	0.2	1	
		0.3/1									14.6	3.4	380	31	20	0.15	0.3	1.5		
											15.3	3.6	310	16	16	0.2	0.4	2		
KB3/15	1.5	25	20	3-10	10	21	7	3	9	12	M2.5/M4	27.2	11	750	59	15	0.1	0.3	1.5	
		0.8/3									29.3	12	700	20	9	0.15	0.4	2		
KB3/20	2	28	25	3-12.7	10	27	9	3.5	11	12	M3/M4	40.1	25	1500	67	12	0.15	0.3	1.5	
		1/3									43.2	29	1300	21	11	0.2	0.4	1.5		
											49.1	30	1050	11	9	0.25	0.5	2		
KB3/45	4.5	36	32.5	6-16	14	34	12	5	14	16	M4/M5	86.5	98	6500	168	32	0.1	0.3	1.5	
		3/5.9									92.9	110	4200	41	20	0.2	0.5	2		
KB3/100	10	41	40.5	6-22	16	41,5	15.5	5	14	20	M4/M6	135	235	8100	120	27	0.15	0.4	1.5	
		3/10									154	292	6800	29	17	0.3	0.6	2		

- ⊙ Speed: max. 15000 min⁻¹
- ⊙ Hub: Bore Tolerance: H7 Keyway acc. DIN 6885 optional
- ⊙ Material: Bellows - Stainless Steel
Hub - Aluminium (also available in Stainless Steel)
- ⊙ Temperature Range: -30° ~ 120° C





BELLOWS COUPLINGS

KB4/18~1400

Bellows Couplings
with Collet Clamps



KB4H/18~500

Bellows Couplings
with Split Hubs



KB4AL/80~500

Bellows Couplings
with Aluminium Collet Clamps



KB4C/30~500

Bellows Couplings Compactversion
with Collet Clamps



KB4VA/18~500

Bellows Couplings
Stainless Steel glued or welded



KB5/18~5000

Bellows Couplings
with Inner Conical Hubs



KB6/18~5000

Bellows Couplings
with Outer Conical Hubs



KB7/18~5000

Bellows Couplings
for Flange Mounting

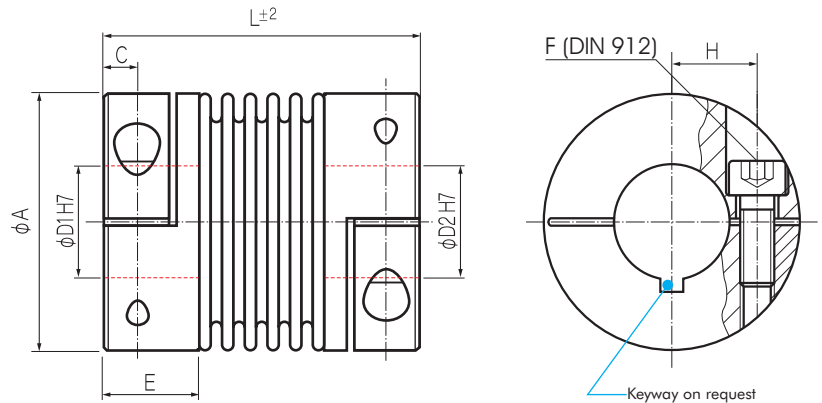


KB8/18~300

Bellows Couplings
with Expanding Clamp



Bellows Couplings



Order Code: KB 4 / 60 - 89 - 12 - 32 - S

Type / Size Length Ø D1 (H7) Ø D2 (H7) Options

	Torque T _{KN} (Nm)	Dimensions (mm)							Technical Ratings								
		L Length (±2)	Ø A Outer Ø	D1/D2 Bore Sizes (H7)	H	C	E	F Screw (DIN 912) T _A (Nm)	Mass (kg)	Moment of Inertia J (g m ²)	Spring Stiffness			Misalignment			max Speed rpm
											torsional C _T 10 ³ (Nm/rad)	radial C _R (N/mm)	axial C _A (N/mm)	radial ΔKr (mm)	axial ΔKa (mm)	angular ΔKw (°)	
KB4/18	18	63	45	10-25.4	17	5.5	19.5	M5	0.1	0.04	20	205	50	0.2	0.5	1.5	12800
		71						8	0.15	0.05	15	82	36	0.25	0.5	2	12800
KB4/30	30	65	56	10-30	20	7.5	24.5	M6	0.3	0.15	38	720	50	0.15	0.6	1.5	10300
		73						15	0.32	0.16	28	225	28	0.25	1	2	10300
KB4/60	60	79	66	12-32	23	10	29	M8	0.5	0.33	75	1150	90	0.15	0.6	1.5	8700
		89						40	0.6	0.36	50	340	50	0.25	1	2	8700
KB4/80	80	91	82	14-42	28	11	33.5	M10	2.3	2.3	128	1200	80	0.2	0.5	1.5	6900
		102						72	2.4	2.4	75	400	50	0.25	0.8	2	6900
KB4/150	150	91	82	19-42	28	11	33.5	M10	2.3	2.5	155	2020	145	0.2	0.5	1.5	6900
		102						84	2.4	2.6	105	595	85	0.25	0.5	2	6900
KB4/200	200	101	90	22-45	31	13	38	M12	2.6	3.3	175	2500	145	0.2	0.5	1.5	6400
		113						125	2.7	3.5	120	460	82	0.25	0.8	2	6400
KB4/300	300	105	110	30-60	40	13	38	M12	4.3	7.6	502	6300	280	0.2	0.5	1.5	6000
		116						145	4.4	7.8	285	1400	145	0.25	0.8	2	6000
KB4/500	500	112	122	35-70	42	15	42	M12	5.5	13.5	690	7790	100	0.2	0.5	1.5	5000
		123						145	5.6	13.7	320	970	85	0.25	1	2	5000
KB4/800	800	168	157	40-80	55	22.5	55	2M20	9	35	1270	700	275	0.2	0.8	1.8	5000
								400									
KB4/1400	1400	168	157	50-80	55	22.5	55	2M20	10	36	1270	700	275	0.2	0.8	1.8	5000
								470									

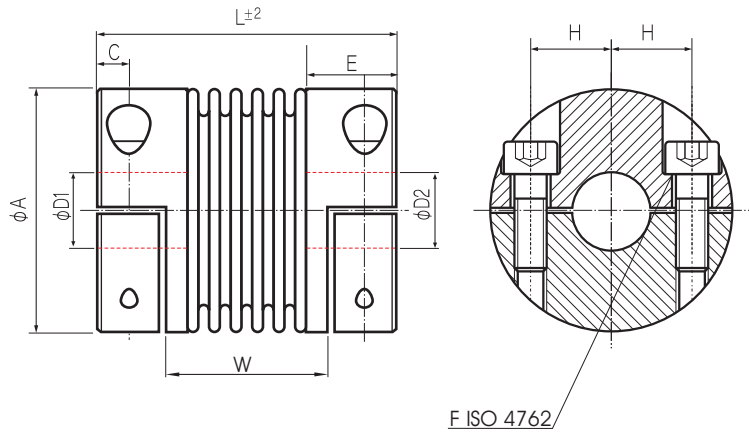
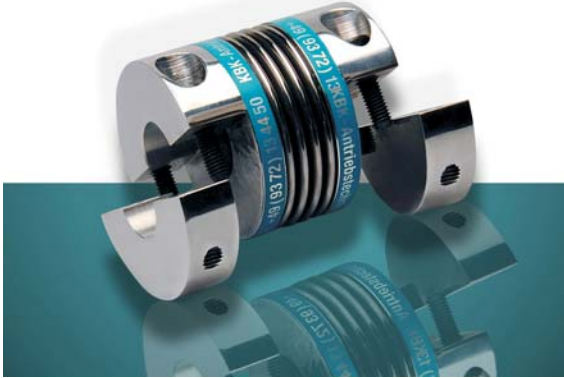
☉ Bellows: Stainless Steel

☉ Material-Hubs: Size Standard Options
 18 - 60 Aluminium Stainless Steel
 80 - 500 Steel Aluminium, Stainless Steel
 800 - 1400 Steel Stainless Steel

☉ Temperature Range: -30°C ~ 120°C

Bellows Couplings

with Split Hubs



F ISO 4762



Order Code: KB 4H / 60 - 83 - 20 - 20 - S

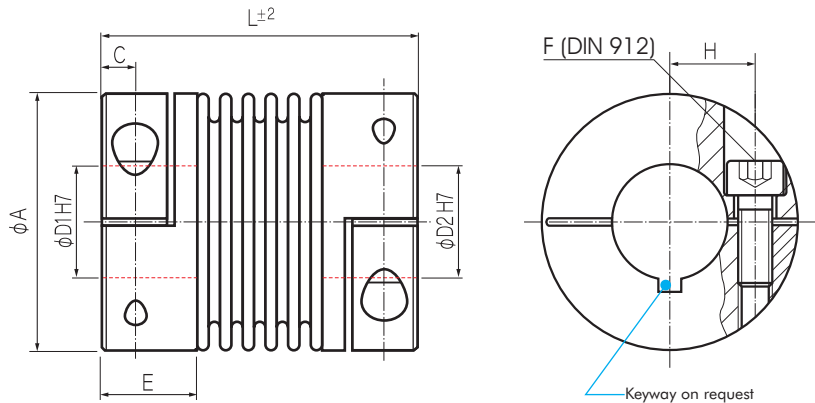
Type / Size Length Ø D1 (H7) Ø D2 (H7) Options

	Torque T_{KN} (Nm)	Dimensions (mm)								Technical Ratings								
		L	Ø A	D1/D2	H	C	E	W	F	Mass (kg)	Moment of Inertia J (g m ²)	Spring Stiffness			Misalignment			max Speed rpm
		Length (±2)	Outer Ø	Bore Sizes (H7)					Screw (DIN 912) T_A (Nm)			torsional C_T 10 ³ (Nm/rad)	radial C_R (N/mm)	axial C_A (N/mm)	radial ΔK_r (mm)	axial ΔK_a (mm)	angular ΔK_w (°)	
KB4H/18	18	63	45	10-25	17	5.5	19.5	37	M5	0.1	0.04	20	205	50	0.2	0.5	1.5	12800
		71						45	8	0.15	0.05	15	82	36	0.25	0.5	2	12800
KB4H/30	30	69	56	10-30	20	7.5	27	35	M6	0.3	0.14	38	720	50	0.15	0.6	1.5	10300
		77						43	15	0.32	0.15	28	225	28	0.25	1	2	10300
KB4H/60	60	83	66	12-35	23	9.5	31	41	M8	0.5	0.28	75	1150	90	0.15	0.6	1.5	8700
		93						51	40	0.6	0.29	50	340	50	0.25	1	2	8700
KB4H/80	80	94	82	14-42	28	11	36	47	M10	0.9	0.65	128	1200	80	0.2	0.5	1.5	6900
		106						59	72	0.95	0.67	75	400	50	0.25	0.8	2	6900
KB4H/150	150	95	82	19-42	28	11	36	48	M10	0.9	0.82	155	2020	145	0.2	0.5	1.5	6900
		107						60	84	0.95	0.86	105	595	85	0.25	0.5	2	6900
KB4H/200	200	105	90	22-45	31	12.5	41	51	M12	1.3	2.2	175	2500	145	0.2	0.5	1.5	6400
		117						63	125	1.35	2.7	120	460	82	0.25	0.8	2	6400
KB4H/300	300	111	110	24-60	39	13	43	55	M12	1.8	4.2	502	6300	280	0.2	0.5	1.5	6000
		125						69	145	1.85	5.2	285	1400	145	0.25	0.8	2	6000
KB4H/500	500	133	122	35-65	42	15	51	62	M12	2.505	8.6	690	7790	100	0.2	0.5	1.5	5000
		146						75	145	2.51	9.3	320	970	85	0.25	1	2	5000

Material: Bellows - Stainless Steel
Hubs - Aluminium

Temperature Range: -30° ~ 120° C

Bellows Couplings



Order Code: KB 4AL / 80 - 91 - 15 - 20 - S

Type / Size Length Ø D1 (H7) Ø D2 (H7) Options

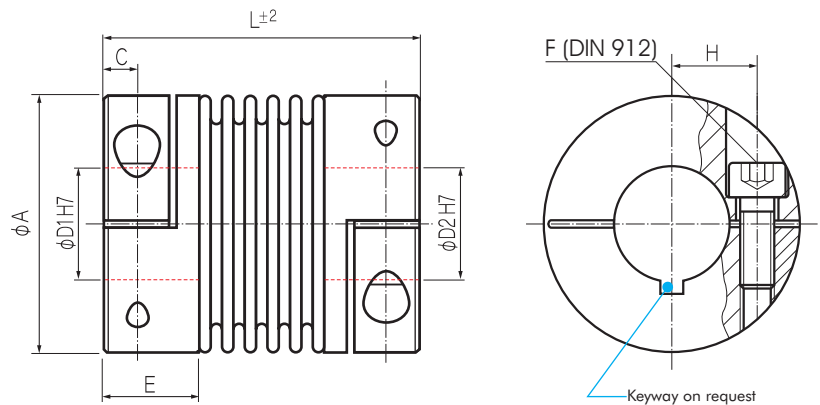
	Torque T _{KN} (Nm)	Dimensions (mm)							Technical Ratings								
		L Length (±2)	Ø A Outer Ø	D1/D2 Bore Sizes (H7)	H	C	E	F Screw (DIN 912) T _A (Nm)	Mass (kg)	Moment of Inertia J (g m ²)	Spring Stiffness			Misalignment			max Speed rpm
											torsional C _T 10 ³ (Nm/rad)	radial C _R (N/mm)	axial C _A (N/mm)	radial ΔK _r (mm)	axial ΔK _a (mm)	angular ΔK _w (°)	
KB4AL/80	80	91	82	14-42	28	11	33.5	M10	0.8	0.90	128	1200	80	0.2	0.5	1.5	6900
		72						0.85	0.95	75	400	50	0.25	0.8	2	6900	
KB4AL/150	150	91	82	19-42	28	11	33.5	M10	0.9	1.0	155	2020	145	0.2	0.5	1.5	6900
		84						0.95	1.05	105	595	85	0.25	0.5	2	6900	
KB4AL/200	200	101	90	22-45	31	13	38	M12	1.17	1.49	175	2500	145	0.2	0.5	1.5	6400
		113						1.21	1.57	120	460	82	0.25	0.8	2	6400	
KB4AL/300	300	105	110	30-60	40	13	38	M12	1.62	3.28	502	6300	280	0.2	0.5	1.5	6000
		116						1.66	3.37	285	1400	145	0.25	0.8	2	6000	
KB4AL/500	500	112	122	35-65	42	15	42	M12	2.4	6.4	690	7790	100	0.2	0.5	1.5	5000
		123						2.5	6.7	320	970	85	0.25	1.0	2	5000	

Aluminium Collet Clamps reduce mass and moment of inertia.

Material: Bellows - Stainless Steel
 Hubs - Aluminium

Temperature Range: -30° ~ 120° C

Bellows Couplings - Compact Version



Order Code: KB 4C / 60 - 89 - 12 - 32 - S

Type / Size Length Ø D1 (H7) Ø D2 (H7) Options

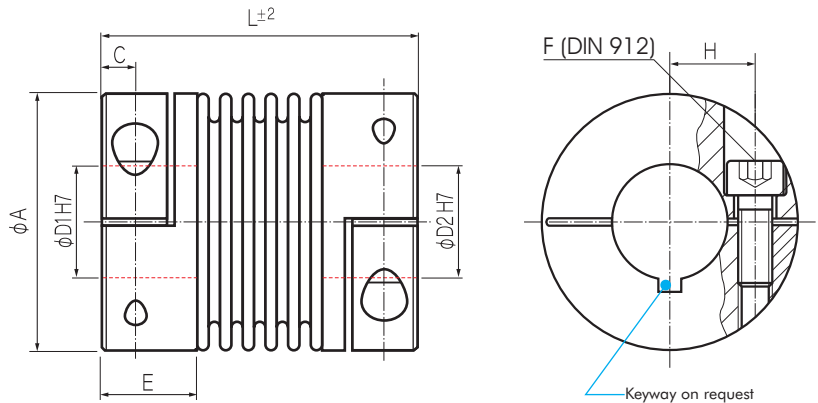
	Torque T _{KN} (Nm)	Dimensions (mm)							Technical Ratings								
		L Length (±2)	Ø A Outer Ø	D1/D2 Bore Sizes (H7)	H	C	E	F Screw (DIN 912) T _A (Nm)	Mass (kg)	Moment of Inertia J (g m ²)	Spring Stiffness			Misalignment			max Speed rpm
											torsional C _T 10 ³ (Nm/rad)	radial C _R (N/mm)	axial C _A (N/mm)	radial ΔK _r (mm)	axial ΔK _a (mm)	angular ΔK _w (°)	
KB4C/30	30	58	56	10-30	20	7.3	21	M6	0.26	0.13	38	720	50	0.15	0.6	1.5	10300
		66						15	0.27	0.14	28	225	28	0.25	1	2	10300
KB4C/60	60	67	66	12-35	24	8.6	24	M8	0.38	0.28	75	1150	90	0.15	0.6	1.5	8700
		77						40	0.42	0.31	50	340	50	0.25	1	2	8700
KB4C/80	80	78	82	14-42	28	9.8	27	M10	0.70	0.78	128	1200	80	0.2	0.5	1.5	6900
		89						72	0.76	0.85	75	400	50	0.25	0.8	2	6900
KB4C/150	150	78	82	19-42	28	9.8	27	M10	0.73	0.82	155	2020	145	0.2	0.5	1.5	6900
		89						84	0.80	0.89	105	595	85	0.25	0.5	2	6900
KB4C/200	200	83	90	22-45	31	10.8	29	M12	0.89	1.19	175	2500	145	0.2	0.5	1.5	6400
		94						125	0.95	1.27	120	460	82	0.25	0.8	2	6400
KB4C/300	300	94	110	30-60	39	11.8	32.5	M12	1.37	2.74	502	6300	280	0.2	0.5	1.5	6000
		105						145	1.43	2.86	285	1400	145	0.25	0.8	2	6000
KB4C/500	500	100	122	35-70	45	13.3	36	M12	1.81	4.45	690	7790	100	0.2	0.5	1.5	5000
		111						145	1.91	4.69	320	970	85	0.25	1	2	5000

Material: Bellows - Stainless Steel
Hubs - Aluminium

Temperature Range: -30° ~ 120° C

Bellows Couplings in Stainless Steel

with Collet Clamps



Order Code: KB 4 / 60 - 89 - 12 - 32 - VA/VAW

Type / Size

Length

Ø D1 (H7)

Ø D2 (H7)

Stainless Steel laserwelded
Stainless Steel glued

	Torque T _{KN} (Nm)	Dimensions (mm)							Technical Ratings								
		L Length (±2)	Ø A Outer Ø	D1/D2 Bore Sizes (H7)	H	C	E	F Screw (DIN 912) T _A (Nm)	Mass (kg)	Moment of Inertia J (g m ²)	Spring Stiffness			Misalignment			max Speed rpm
											torsional C _T 10 ³ (Nm/rad)	radial C _R (N/mm)	axial C _A (N/mm)	radial ΔK _r (mm)	axial ΔK _a (mm)	angular ΔK _w (°)	
KB4/18	18	63	45	10-25.4	17	5.5	19.5	M5	0.27	0.11	20	205	50	0.2	0.5	1.5	12800
		71						8	0.41	0.14	15	82	36	0.25	0.5	2	12800
KB4/30	30	65	56	10-30	20	7.5	24.5	M6	0.83	0.41	38	720	50	0.15	0.6	1.5	10300
		73						15	0.89	0.44	28	225	28	0.25	1	2	10300
KB4/60	60	79	66	12-32	23	10	29	M8	1.4	0.91	75	1150	90	0.15	0.6	1.5	8700
		89						40	1.7	1.00	50	340	50	0.25	1	2	8700
KB4/80	80	91	82	14-42	28	11	33.5	M10	2.3	2	128	1200	80	0.2	0.5	1.5	6900
		102						72	2.4	2.1	75	400	50	0.25	0.8	2	6900
KB4/150	150	91	82	19-42	28	11	33.5	M10	2.3	2	155	2020	145	0.2	0.5	1.5	6900
		102						84	2.4	2.1	105	595	85	0.25	0.5	2	6900
KB4/200	200	101	90	22-45	31	13	38	M12	2.6	3.3	175	2500	145	0.2	0.5	1.5	6400
		113						125	2.7	3.5	120	460	82	0.25	0.8	2	6400
KB4/300	300	105	110	30-60	40	13	38	M12	3.6	7.3	502	6300	280	0.2	0.5	1.5	6000
		116						145	3.7	7.5	285	1400	145	0.25	0.8	2	6000
KB4/500	500	112	122	35-70	42	15	42	M12	5.1	12.4	690	7790	100	0.2	0.5	1.5	5000
		123						145	5.2	12.7	320	970	85	0.25	1	2	5000

Material: Bellows - high Tensile Stainless Steel
Hubs - Stainless Steel

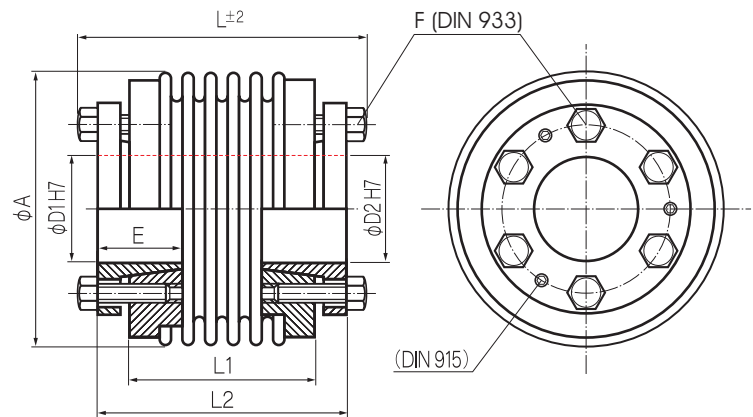
Temperature Range: VA -30° ~ 120° (glued)
VAW -30° ~ 250° (laser-beam-welded)

Version VA: Stainless Steel glued
Version VAW: Stainless Steel laser-beam-welded

Hubs: Keyway acc. DIN 6885 optional



Bellows Couplings



Order Code: KB 5 / 60 - 73 - 20 - 25 - S

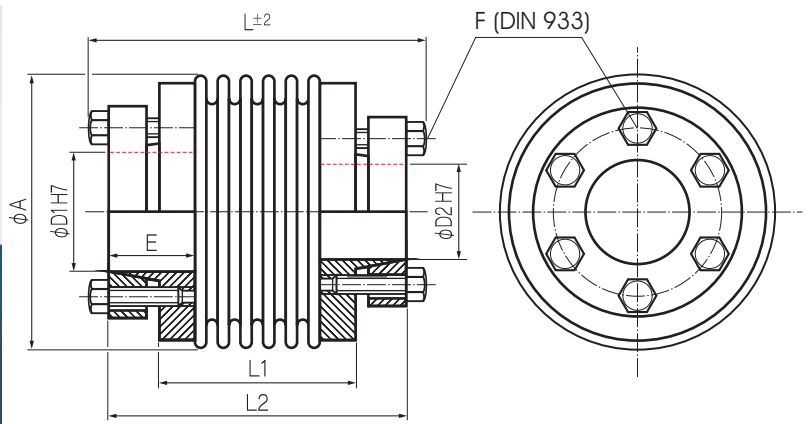
Type / Size Length Ø D1 (H7) Ø D2 (H7) Options

	Torque T _{KN} (Nm)	Dimensions (mm)							Technical Ratings								
		L	Ø A	D1/D2	E	L1	L2	F	Mass (kg)	Moment of Inertia J (g m ²)	Spring Stiffness			Misalignment			
		Length (±2)	Outer Ø	Bore Size (H7)	Hub Length			Screw (DIN 933) T _A (Nm)			torsional C _T 10 ³ (Nm/rad)	radial C _R (N/mm)	axial C _A (N/mm)	radial ΔK _r (mm)	axial ΔK _a (mm)	angular ΔK _w (°)	
KB5/18	18	63	47	10-18	20	38	56	4xM5	0.36	0.075	20	205	50	0.2	1	1.5	
		71				46	64	4.5	0.37	0.078	15	82	36	0.25	1	2	
KB5/30	30	53	56	12-20	20	30	46	6xM5	0.4	0.11	38	720	50	0.15	1	1.5	
		61				38	54	4.5	0.42	0.12	28	225	25	0.25	1	2	
KB5/60	60	62	66	15-25	25	36	54	6xM6	0.77	0.32	75	1150	90	0.15	1	1.5	
		73				47	65	8.5	0.79	0.34	50	340	50	0.25	1	2	
KB5/80	80	78	82	20-35	30	50	70	6xM6	1.34	1.05	128	1200	80	0.2	1	1.5	
		90				62	82	10	1.39	1.11	75	400	50	0.25	1	2	
KB5/150	150	78	82	20-35	30	50	70	6xM6	1.36	1.15	155	2020	145	0.2	1	1.5	
		90				62	82	15	1.41	1.21	105	595	85	0.25	1	2	
KB5/200	200	78	90	20-40	30	50	70	6xM6	1.59	1.39	175	2500	145	0.2	1	1.5	
		91				63	83	15	1.66	1.49	120	460	82	0.25	1	2	
KB5/300	300	90	110	25-50	37	56	80	6xM8	3.26	4.66	502	6300	280	0.2	1	1.5	
		102				67	91	17	3.32	4.81	285	1400	145	0.25	1	2	
KB5/500	500	101	122	35-55	40	66	90	6xM8	3.78	6.11	690	7790	100	0.2	1	1.5	
		112				77	101	25	3.87	6.38	320	970	85	0.25	1	2	
KB5/800	800	170	157	50-70	60	110	150	6xM16 45	9.05	24.05	760	500	185	0.2	1	1.8	
KB5/1400	1400	170	157	50-70	60	110	150	6xM16 80	9.15	24.2	1270	700	275	0.2	1	1.8	
KB5/3000	3000	206	157	55-85	60	150	190	6xM12 85	9.43	25.7	2810	2945	305	0.2	1	1.5	
KB5/5000	5000	206	208	60-90	65	146	186	6xM16 210	19.9	96.7	4810	4915	505	0.2	1	1.5	

Material: Bellows - Stainless Steel Hubs - High Tensile Steel (also available in Stainless Steel)

Temperature Range: -30° ~ 120° C

Bellows Couplings



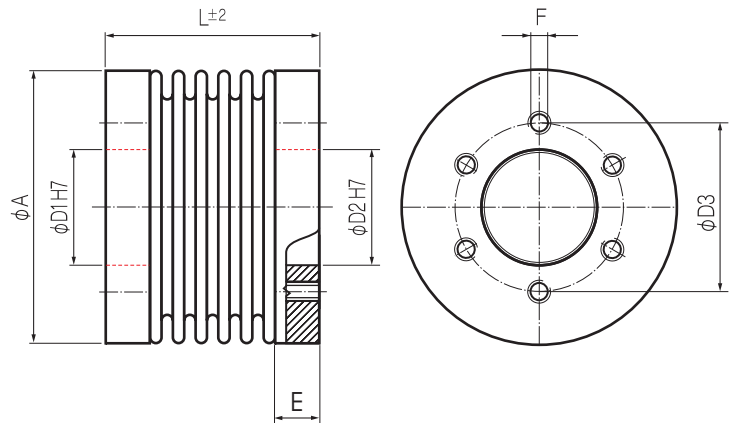
Order Code: KB 6 / 60 - 78 - 20 - 32 - S
 Type / Size Length Ø D1 (H7) Ø D2 (H7) Options

	Torque T _{KN} (Nm)	Dimensions (mm)							Technical Ratings							
		L	Ø A	D1/D2	E	L1	L2	F	Mass (kg)	Moment of Inertia J (g m ²)	Spring Stiffness			Misalignment		
		Length (±2)	Outer Ø	Bore Size (H7)	Hub Length			Screw (DIN 933) T _A (Nm)			torsional C _T 10 ³ (Nm/rad)	radial C _R (N/mm)	axial C _A (N/mm)	radial ΔK _r (mm)	axial ΔK _a (mm)	angular ΔK _w (°)
KB6/18	18	65	45	8-15	16.5	37	58	4x M5	0.3	0.081	20	205	50	0.2	0.5	1.5
		73				45	66	5.9	0.31	0.084	15	82	36	0.25	0.5	2
KB6/30	30	60	56	12-20	18	31	53	6x M5	0.37	0.13	38	720	50	0.15	0.6	1.5
		68				39	61	5.9	0.39	0.14	28	225	25	0.25	1	2
KB6/60	60	78	66	15-32	25	36	71	6x M5	0.76	0.46	75	1150	90	0.15	0.6	1.5
		89				47	82	8.7	0.79	0.49	50	340	50	0.25	1	2
KB6/80	80	95	82	20-35	31	50	87	6x M6	1.57	1.37	128	1200	80	0.2	0.5	1.5
		107				62	99	15	1.62	1.43	75	400	50	0.25	1	2
KB6/150	150	95	82	20-35	31	50	87	6x M6	1.59	1.39	155	2020	145	0.2	0.5	1.5
		107				62	99	15	1.64	1.45	105	595	85	0.25	1	2
KB6/200	200	95	90	20-42	31	50	87	6x M6	1.6	1.64	175	2500	145	0.2	0.5	1.5
		108				63	100	15	1.67	1.74	120	460	82	0.25	1	2
KB6/300	300	108	110	25-50	34	57	98	6x M8	2.83	4.52	502	6300	280	0.2	0.5	1.5
		120				68	109	25	2.89	4.68	285	1400	145	0.25	1	2
KB6/500	500	122	122	35-55	41	59	112	6x M8	3.89	7.04	690	7790	100	0.2	0.5	1.5
		134				70	123	36	3.98	7.31	320	970	85	0.25	1	2
KB6/800	800	184	157	50-70	50	108	169	6x M12 85	8.87	24.9	760	500	185	0.2	0.8	1.8
KB6/1400	1400	184	157	50-70	50	108	169	6x M12 115	8.92	25.2	1270	700	275	0.2	0.8	1.8
KB6/3000	3000	220	157	55-75	60	146	204	6x M12 125	10.9	30.9	2810	2945	305	0.2	0.8	1.5
KB6/5000	5000	245	208	60-90	55	146	225	6x M16 210	27.7	144.4	4810	4915	505	0.2	0.8	1.5

Material: Bellows - Stainless Steel Hubs - High Tensile Steel (also available in Stainless Steel)

Temperature Range: -30° ~ 120° C

Bellows Couplings



Order Code: KB 7 / 60 - 41 - 38 - S

Type / Size Length ØD1/ØD2 Options

	Torque T_{KN} (Nm)	Dimensions (mm)						Technical Ratings								
		L Length (±2)	Ø A Outer Ø	Ø D1/D2 Bore Size (H7)	Ø D3	F Thread	Mass (kg)	Moment of Inertia J (g m ²)	Spring Stiffness			Misalignment				
									torsional $C_T \cdot 10^3$ (Nm/rad)	radial C_R (N/mm)	axial C_A (N/mm)	radial ΔK_r (mm)	axial ΔK_a (mm)	angular ΔK_w (°)		
KB7/18	18	36	45	22	31	6	M5	0.11	0.04	20	205	50	0.2	0.5	1.5	
		44						0.115	0.04	15	82	36	0.25	0.5	2	
KB7/30	30	30	56	28	37	7	M5	0.16	0.09	38	720	50	0.15	0.6	1.5	
		38						0.17	0.09	28	225	25	0.25	1	2	
KB7/60	60	41	66	38	46	10.5	M6	0.33	0.25	75	1150	90	0.15	0.6	1.5	
		51						0.37	0.29	50	340	50	0.25	1	2	
KB7/80	80	50	82	50	62	13	M6	0.69	0.83	128	1200	80	0.2	0.5	1.5	
		62						0.75	0.92	75	400	50	0.25	1	2	
KB7/150	150	50	82	50	62	13	M6	0.69	0.83	155	2020	145	0.2	0.5	1.5	
		62						0.75	0.92	105	595	85	0.25	1	2	
KB7/200	200	50	90	50	62	13	M6	0.74	1.0	175	2500	145	0.2	0.5	1.5	
		63						0.80	1.1	120	460	82	0.25	1	2	
KB7/300	300	55	110	65	80	13	M8	1.18	2.5	502	6300	280	0.2	0.5	1.5	
		66						1.24	2.7	285	1400	145	0.25	1	2	
KB7/500	500	61	122	70	94	16	M8	1.95	5.0	690	7790	100	0.2	0.5	1.5	
		72						2.05	5.3	320	970	85	0.25	1	2	
KB7/800	800	131	157	85	110	23	M16	3.55	15	760	500	185	0.2	0.8	1.75	
KB7/1400	1400	131	157	85	110	23	M16	3.55	15	1270	700	275	0.2	0.8	1.75	
KB7/3000	3000	131	157	85	110	23	M16	3.70	16	2810	2945	305	0.2	0.8	1.5	
KB7/5000	5000	146	208	100	130	36.5	M16	8.22	61	4810	4915	505	0.2	0.8	1.5	

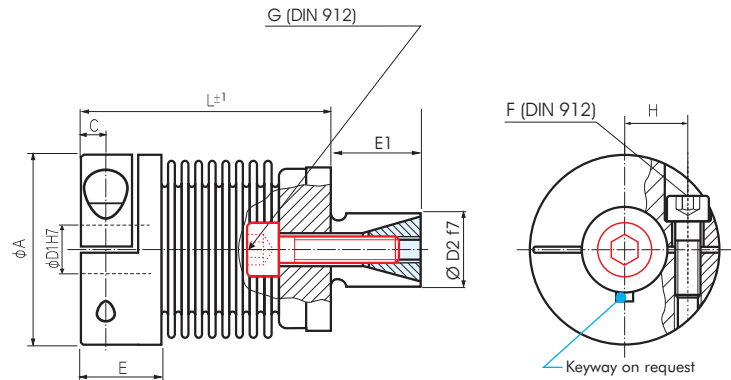
Material: Bellows - Stainless Steel Hubs - High Tensile Steel (also available in Stainless Steel)

Temperature Range: -30° ~ 120° C



Bellows Couplings

with Expanding Clamp



Order Code: KB 8 / 30 - 53 - 15 - 20

Type / Size

Length

Ø D1
(H7)

Ø D2
(H7)

	Torque T _{KN} (Nm)	Dimensions (mm)									Technical Ratings								
		L Length (±1)	Ø A Outer Ø	D1 Bore Size (H7) min ~ max	D2 Spreiz- dorn min ~ max	H	C	E	E1	F/G Screw (DIN 912) T _A (Nm)	Mass (kg)	Moment of Inertia J (g m ²)	Spring Stiffness			Misalignment			Speed (rpm)
													torsional C _T 10 ³ (Nm/rad)	radial C _R (N/mm)	axial C _A (N/mm)	radial ΔK _r (mm)	axial ΔK _a (mm)	angular ΔK _w (°)	
KB8/18	18	45	45	10-25.4	13-25	17	5.5	19.5	20	M5 8	0.14 0.15	0.04 0.05	20	205	50	0.2	0.5	1.5	12800
		52											15	82	35	0.25	0.5	2	
KB8/30	30	53	56	10-30	14-30	20	7.5	24.5	25	M6 15	0.30 0.31	0.15 0.16	38	720	50	0.15	0.6	1.5	10300
		61											28	225	28	0.25	1.0	2	
KB8/60	60	62	66	12-32	23-38	23	10	29	27	M8 40	0.40 0.42	0.28 0.31	128	1150	90	0.15	0.6	1.5	8700
		72											75	340	50	0.25	1.0	2	
KB8/150	150	71	82	19-42	26,42	28	11	33.5	32	M10 84	0.80 0.85	0.90 0.95	155	2020	145	0.2	0.5	1.5	6900
		83											105	595	85	0.25	0.5	2	
KB8/300	300	84	110	35-65	38-60	39	13	38	45	M12 145	1.62 1.66	3.28 3.37	502	6300	280	0.2	0.5	1.5	6000
		98											285	1400	145	0.25	0.8	2	

⊙ Hubs: Bore Tolerance: H7 Keyway acc. DIN 6885 optional

⊙ Material: Bellows - Stainless Steel
Hub - Aluminium (also available in Stainless Steel)

⊙ Temperature Range: -30° ~ 120°





SERVO INSERT COUPLINGS

KBE1-7~48

Servo Insert Couplings
with Set Screws



KBE2-7~19

Servo Insert Couplings
with Collet Clamps



KBE2-24~48

Servo Insert Couplings
with Collet Clamps



KBE2C-19~38

Servo Insert Couplings
with Compact Version Collet Clamps



KBE2H-19~48

Servo Insert Couplings
with Split Hubs



KBE3-14~48

Servo Insert Couplings
with Outer Conical Hubs



KBE3C-14~48

Servo Insert Couplings
Compact Version with Outer Conical Hubs

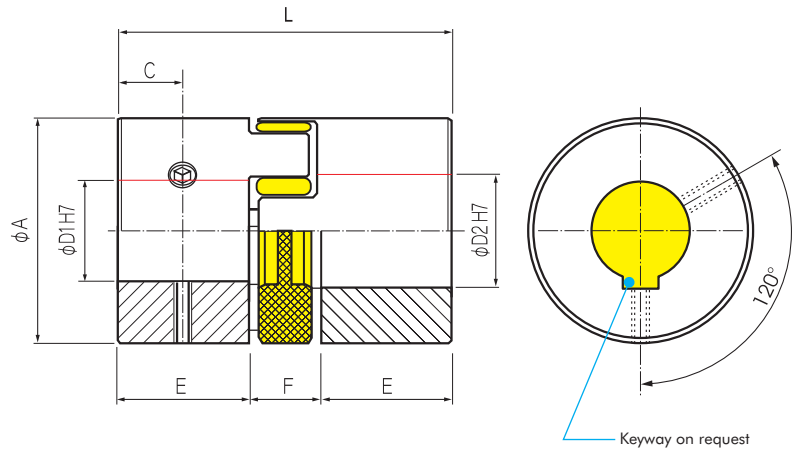


KBE4-14~38

Servo Insert Couplings
with Expanding Clamps



Servo Insert Coupling



Order Code: **KBE 1 - 14 - 10H7 - 12H7 - S**

Type Size Bohre D1(H7) Bohre D2(H7) Options

	Dimensions (mm)							Technical Ratings			
	Ø A	L	Ø D1-D2	E	F	C	F	Maximum Speed rpm. (1/min)	Mass (per Hub) (g)	Moment of Inertia J (kg mm ²)	Torque (Nm)
	Outer Ø	Length	Bohre Sizes (H7) min ~ max				Screw (DIN 916) T _A (Nm)				
KBE 1 - 7	14	22	4 - 7	7	8	3.5	M3 1.3	34000	3	0.2	1.2
KBE 1 - 9	20	30	6 - 9	10	10	5	M3 1.3	24000	9	1.1	3
KBE 1 - 14	30	35	6 - 16	11	13	5	M4 3	16000	20	5.6	7.5
KBE 1 - 19	40	66	10 - 24	25	16	10	M5 6	12000	80	36	10
KBE 1 - 24	55	78	16 - 28	30	18	10	M5 6	8500	132	150	60
KBE 1 - 28	65	90	20 - 38	35	20	15	M6 11	7200	253	330	160
KBE 1 - 38	80	114	20 - 45	45	24	15	M8 25	6000	600	960	325
KBE 1 - 42	95	126	20 - 55	50	26	20	M8 25	4800	1850	4900	450
KBE 1 - 48	105	140	20 - 60	56	28	20	M8 25	4300	3200	8300	525

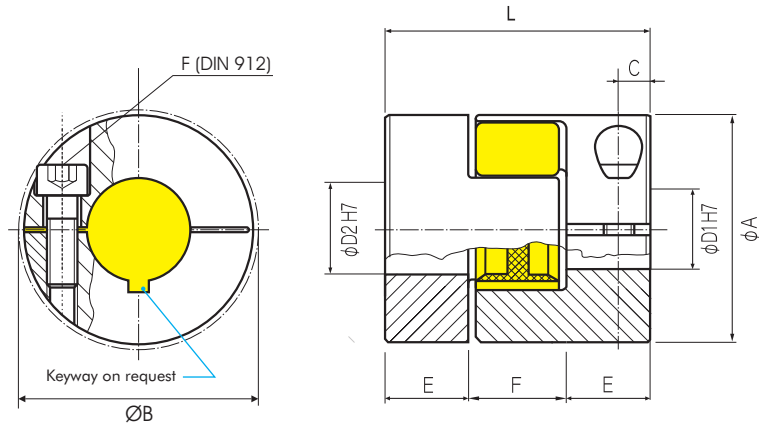
Material: Insert (KBE1-7; KBE1-9): Polyurethan 92 Sh A (yellow)
 Insert (KBE1-14 bis KBE1-48): Polyurethan 98 Sh A (red)
 Hubs (KBE1-7 bis KBE1-38): Aluminum
 Hubs (KBE1-42; KBE1-48): Steel



Servo Insert Coupling



with Collet Clamps



Order Code: KBE 2 - 14 - 10H7 - 12H7 - S
 Type Size Ø D1(H7) Ø D2(H7) Options

	Dimensions (mm)							Technical Ratings				
	ØA	L	Ø D1-D2	E	F	C	B	F	Maximum Speed	Mass (per Hub)	Moment of Inertia (per Hub)	Torque
		Length	Bohre Sizes (H7) min ~ max				Max. Ø	Screw (DIN 912) T _A (Nm)	rpm. (1/min)	(g)	J (g cm ²)	(Nm)
KBE 2 - 7	14	22	4 - 7	7	8	3.5	15	M2 0.37	27000	3.5	1	1.2
KBE 2 - 9	20	30	4 - 11	10	10	5	23.4	M2.5 0.75	19000	10	5.7	3
KBE 2 - 14	30	35	4 - 16	11	13	5	32.2	M3 1.4	13000	27	33	12.5
KBE 2 - 19	40	66	10 - 22	25	16	12	47	M6 11	10000	88	200	17

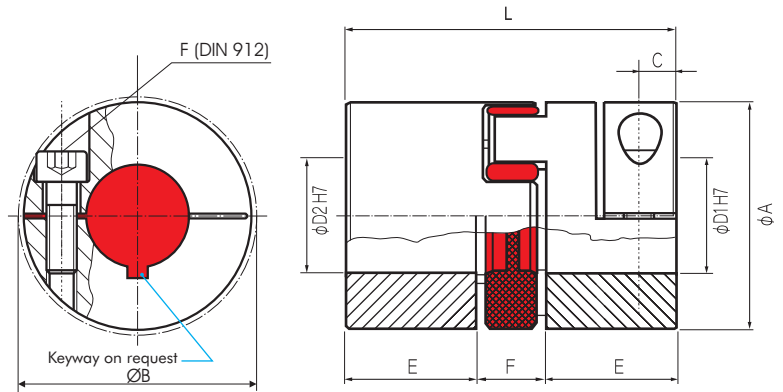
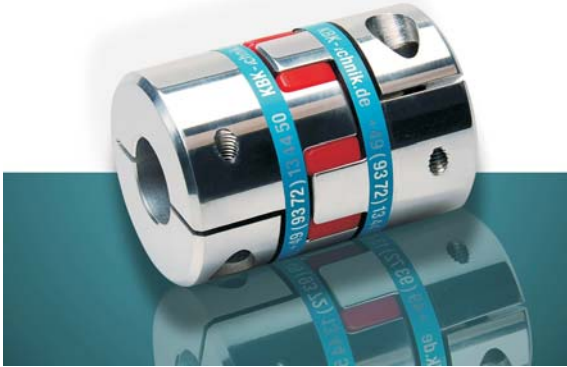
Transmissible Torque (Nm) of the Hubs

	Ø Bohre (mm)														
	3	4	5	6	7	8	9	10	11	12	14	15	16	19	20
KBE 2 - 7	0.8	0.9	0.95	1	1.1										
KBE 2 - 9		2.1	2.2	2.3	2.4	2.5	2.6	2.7	2.8						
KBE 2 - 14		3.4	4.7	4.8	5.0	5.1	5.3	5.5	5.6	5.8	6.1	6.3	6.5		
KBE 2 - 19								27	27	29	30	31	32	32	34

- ⊗ Hub: Bore Tolerance: H7 Keyway acc. DIN 6885 optional
- ⊗ Material: Insert - Polyurethan
 Hubs - Aluminium
- ⊗ Hardness: up to Size 9: 92 Shore A (yellow)
 from Size 14: 98 Shore A (red)

Servo Insert Coupling

with Collet Clamps



Order Code: KBE 2 - 38 - 20H7 - 40H7 - S
 Type Size Ø D1(H7) Ø D2(H7) Options

	Dimensions (mm)								Technical Ratings			
	ØA	L	Ø D1-D2	E	F	C	B	F	Maximum Speed rpm. (1/min)	Mass (per Hub) (g)	Moment of Inertia (per Hub) J (g cm ²)	Torque (Nm)
		Length	Bohre Sizes (H7) min ~ max				Max. Ø	Screw (DIN 912) T _A (Nm)				
KBE 2 - 24	55	78	15 - 32	30	18	14	56.4	M6 11	7000	187	0.84	60
KBE 2 - 28	65	90	19 - 38	35	20	15	72.6	M8 25	6000	297	1.85	160
KBE 2 - 38	80	114	20 - 45	45	24	20	83.3	M8 25	5000	590	5.50	325
KBE 2 - 42	95	126	28 - 45	50	26	20	94	M8 25	4000	940	12.1	450
KBE 2 - 48	105	140	25 - 50	56	28	22	105	M10 49	3750	1300	20.2	525

Transmissible Torque (Nm) of the Hubs

	Bohre (mm)																
	15	16	19	20	22	24	25	28	30	32	35	38	40	42	45	48	50
KBE 2 - 24	39	43	44	46	47	49	50	52									
KBE 2 - 28			91	93.5	96	98	100	104	107	110	113						
KBE 2 - 38				107	110	112	114	118	121	123	127	131	134	137	141		
KBE 2 - 42								250	255	260	267	279	281	288	298		
KBE 2 - 48										445	457	470	472	508	520	534	543

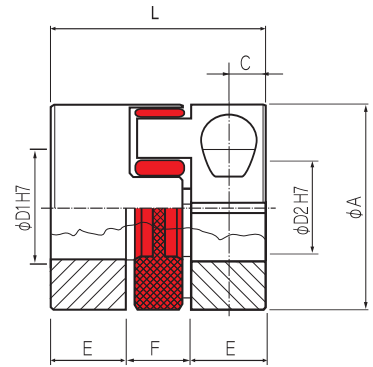
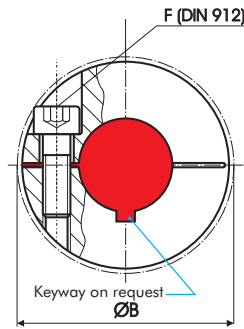
Hub: Bore Tolerance: H7 Keyway acc. DIN 6885 optional

Material: Insert - Polyurethan
 Hubs (KBE2-24 - KBE2-38): Aluminum
 Hubs (KBE2-42 - KBE2-48): Steel

Hardness: 98 Shore A (red)

Servo Insert Coupling

Compact Version



Order Code: KBE 2C - 38 - 20H7 - 40H7 - S

Type Size Ø D1(H7) Ø D2(H7) Options

	Dimensions (mm)								Technical Ratings			
	Ø A	L	Ø D1-D2	E	F	C	B	G	Maximum Speed rpm. (1/min)	Mass (per Hub) (g)	Moment of Inertia (per Hub) J (kg cm ²)	Torque (Nm)
	Outer Ø	Length	Bohre Sizes (H7) min ~ max				Max. Ø	Screw (DIN 912) TA (Nm)				
KBE 2C - 19	40	50	8 - 21	17	16	8.5	45.7	M6 10	10000	66	0.15	17
KBE 2C - 24	55	58	10 - 32	20	18	10	56.4	M6 10	7000	139	0.59	60
KBE 2C - 28	65	62	14 - 35	21	20	11	72.6	M8 25	6000	204	1.27	160
KBE 2C - 38	80	86	15 - 45	31	24	15	83.3	M10 49	5000	445	4.14	325

Transmissible Torque (Nm) of the Hubs

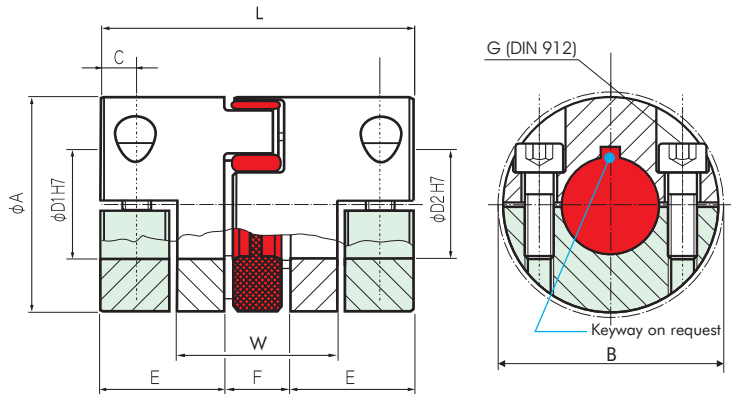
	Ø Bore (mm)																				
	8	9	10	11	12	14	15	16	18	19	20	24	25	28	30	32	35	38	40	42	45
KBE 2C - 19	24.3	25	25.7	26.3	27	28.4	29	29.7	31.1	31.7	32.4	25.0									
KBE 2C - 24			21	23	25	30	32	34	38	40	42	51	53	59	63	68					
KBE 2C - 28						54	58	62	70	74	78	93	97	109	116	124	136				
KBE 2C - 38							92	99	111	117	123	148	154	173	185	197	216	234	247	259	278

Hub: Bore Tolerance: H7 Keyway acc. DIN 6885 optional

Material: Insert - Polyurethan
Hubs - Aluminium

Hardness: 98 Shore A (red)

Split Hubs



Order Code: KBE 2H - 19 - 10 - 12 - S

Type Size Ø D1 (H7) Ø D2 (H7) Options

KBE2H	Dimensions (mm)								Technical Ratings						
	Ø A	L	Ø D1/D2		E	W	F	C	Ø B	G Screw DIN 912	T _A (Nm)	Maximum Speed rpm. (1/min)	Mass (per Hub) (g)	Moment of Inertia (per Hub) J (kg cm ²)	Torque (Nm)
	Outer Ø	Total- length	min	max											
-19	40	66	8	20	25	51	16	8.0	46	M6	10	10000	88	0.2	17
-24	55	78	10	28	30	62	18	10.5	57.5	M6	10	7000	187	0.84	60
-28	65	90	14	38	35	70	20	11.5	73	M8	25	6000	297	1.85	160
-38	80	114	18	45	45	90	24	15.5	83.5	M8	25	5000	590	5.50	325
-42	95	126	22	50	50	99	26	18.0	93.5	M10	49	4000	940	12.1	450
-48	105	140	22	55	56	107	28	18.5	105	M12	86	3750	1300	20.2	525

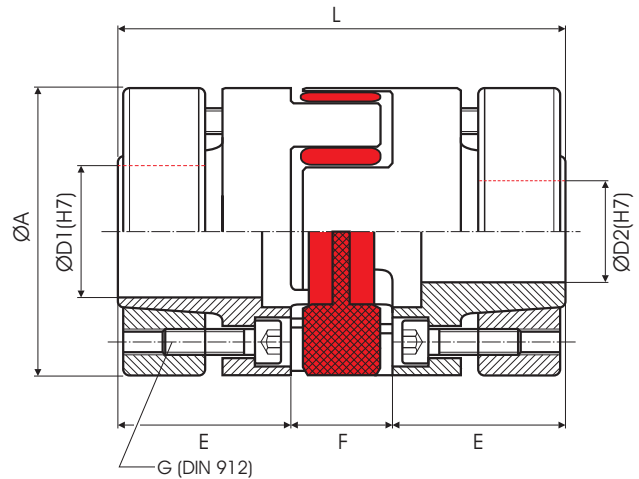
Transmissible Torque (Nm) of the Hubs

KBE2H	Ø Bore (mm)																								
	8	10	11	14	15	16	18	19	20	22	24	25	28	30	32	35	38	40	42	45	46	48	50	55	
-19	17	21	23	30	32	34	38	40	42																
-24		21	23	30	32	34	38	40	42	47	51	53	59												
-28				54	58	62	70	74	78	86	93	97	109	117	124	136	148								
-38							70	74	78	86	93	97	109	117	124	136	148	156	163	175					
-42										136	149	155	174	186	198	217	235	248	260	279	285	297	310		
-48										199	217	226	253	271	290	317	344	362	380	407	416	434	452	498	

Hub: Bore Tolerance: H7 Keyway acc. DIN 6885 on request

Material: Hubs - Aluminum (also available in Stainless Steel)
Insert - Polyurethan 98 Shore A red

Servo Insert Coupling



Order Code: KBE 3 - 48 - 40H7 - 35H7 - S
 Type Size Bore D1(H7) Bore D2(H7) Options

	Dimensions (mm)							Technical Ratings			
	Ø A	L	Ø D1-D2	E	F	G	Maximum Speed rpm. (1/min)	Mass (per Hub) (kg)	Moment of Inertia J (kg mm ²)	Torque (Nm)	
	Outer Ø	Total Length	Bore Sizes (H7) min ~ max			Screw (DIN 912)					Torque to Tighten Clamps T _A (Nm)
KBE 3 - 14	30	50	6 - 14	19	13	M3	1.34	25000	0.05	6	12.5
KBE 3 - 19	40	66	10 - 19	25	16	M4	2.9	19000	0.12	27	17
KBE 3 - 24	55	78	15 - 25	30	18	M5	6	14000	0.28	116	60
KBE 3 - 28	65	90	19 - 38	35	20	M5	6	12000	0.45	283	160
KBE 3 - 38	80	114	20 - 45	45	24	M6	10	10000	0.95	885	325
KBE 3 - 42	95	126	28 - 50	50	26	M8	35	8000	2.3	3032	450
KBE 3 - 48	105	140	35 - 60	56	28	M8	35	7000	3.2	5313	525

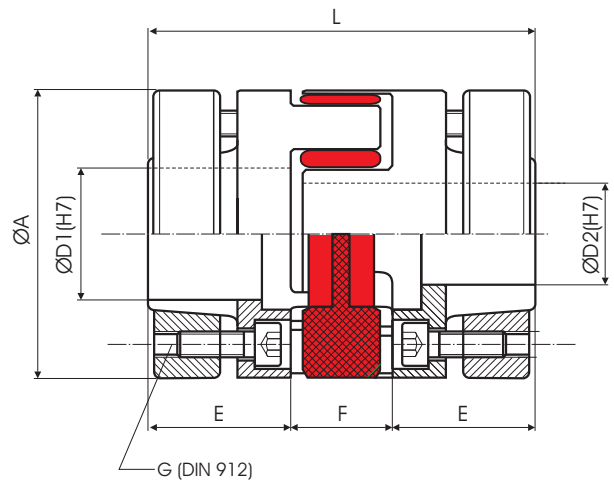
Transmissible Torque (Nm) of the Hubs

	Ø Bore (mm)																											
	6	10	11	14	15	16	19	20	24	25	28	30	32	35	38	40	42	45	48	50	55	60	65	70				
KBE 3 - 14	8.6	13.8	14.7	22.7																								
KBE 3 - 19		41	45	62	68	67	83	90																				
KBE 3 - 24			48	67	74	72	90	97	112	120	143																	
KBE 3 - 28					142	154	189	188	237	250	280	307	310	353	389													
KBE 3 - 38								269	337	356	398	436	424	501	533	572	585	644										
KBE 3 - 42									399	445	506	470	566	581	647	630	728	836	858									
KBE 3 - 48											775	819	955	999	1092	1091	1230	1381	1334	1540								

- Material: Insert: Polyurethan 98 Shore A (red)
- Hubs: (KBE3-14 - KBE3-42) Aluminum
- Hubs: (KBE3-48) Steel
- Outer Cone: High Tensile Steel

Servo Insert Coupling Compact Version

with Outer Conical Hubs



Order Code: KBE 3C - 48 - 40H7 - 35H7 - S
 Type Size Bore D1(H7) Bore D2(H7) Options

	Dimensions (mm)							Technical Ratings			
	Ø A	L	Ø D1-D2	E	F	G	Maximum Speed rpm. (1/min)	Mass (per Hub) (kg)	Moment of Inertia J (kg mm ²)	Torque (Nm)	
	Outer Ø	Total Length	Bore Sizes (H7) min ~ max			Screw (DIN 912)					Torque to Tighten Clamps T _A (Nm)
KBE 3C - 14	30	42	6 - 14	14.5	13	M3	1.34	25000	0.026	3	12.5
KBE 3C - 19	40	56	10 - 20	20	16	M4	3	19000	0.062	15	17
KBE 3C - 24	55	64	14 - 28	23	18	M5	6	14000	0.132	65	60
KBE 3C - 28	65	76	19 - 38	28	20	M5	6	12000	0.201	142	160
KBE 3C - 38	80	96	20 - 45	36	24	M6	10	10000	0.411	434	325
KBE 3C - 42	95	103	28 - 50	38.5	26	M8	25	8000	0.625	904	450
KBE 3C - 48	105	110	30 - 55	41	28	M10	49	7000	0.831	1467	525

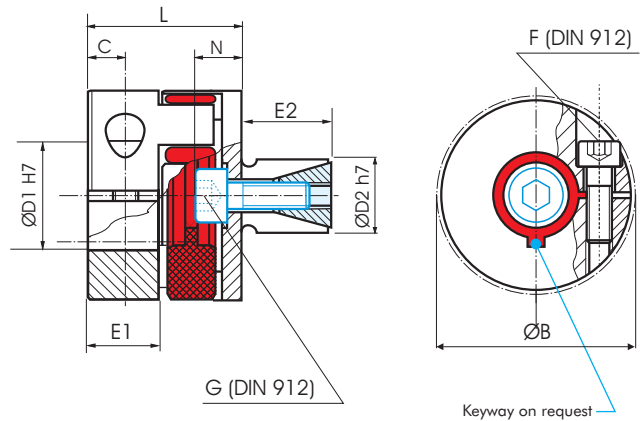
Transmissible Torque (Nm) of the Hubs

	Ø Bore (mm)																				
	6	10	11	14	15	16	19	20	24	25	28	30	32	35	38	40	42	45	48	50	55
KBE 3C - 14	5.4	7.5	11.3	24.7																	
KBE 3C - 19		17	20	41	49	36	56	64													
KBE 3C - 24				47	57	67	98	110	127	139	175										
KBE 3C - 28							121	133	201	219	248	285	253	307	329						
KBE 3C - 38								203	304	331	394	452	453	543	550	609	669	634			
KBE 3C - 42											444	508	535	638	692	763	754	858	964	976	
KBE 3C - 48												572	638	762	842	929	943	1074	1208	1136	1336

Material: Insert: Polyurethan 98 Shore A (red)
 Hubs: Aluminum
 Outer Cone: High strength Aluminum

Servo Insert Coupling

with Expanding Clamp



Order Code: KBE 4 - 38 - 40H7 - 35H7 - S
 Type Size Bore D1 (H7) Bore D2 (H7) Options

	Dimensions (mm)											Technical Ratings			
	ØA	L	Ø D1	Ø D2	E1	E2	N	C	B	F	G	Maximum Speed	Mass (per Hub)	Moment of Inertia J	Torque
		Length	Bore Sizes (H7) min ~ max	Bore Sizes (H7) min ~ max					Max Ø	Screw (DIN 912) T _A (Nm)	Screw (DIN 912) T _A (Nm)	upm. (1/min)	(g)	(g cm ²)	(Nm)
KBE 4 - 14	30	28	4 - 16	13 - 25	11	20	7	5	32.2	M3 1.4	M5 9	20000	137	0.13	12.5
KBE 4 - 19	40	40	10 - 20	14 - 30	17	25	10	9	45.7	M6 15	M6 12	19000	287	0.44	17
KBE 4 - 24	55	46	12 - 32	23 - 36	20	27	11	10	56.4	M6 15	M8 32	14000	756	2.18	60
KBE 4 - 28	65	51	19 - 38	26 - 42	21	32	16	11	72.6	M8 35	M10 60	11500	1350	5.87	160
KBE 4 - 38	80	68	20 - 45	38 - 60	31	45	20	15	83.3	M8 35	M12 110	9500	2500	16.7	325

Transmissible Torque (Nm) of Collet Clamp

	Ø D1 Bore (mm)																								
	4	6	8	9	10	11	12	14	15	16	18	19	20	24	25	28	30	32	35	38	40	42	45		
KBE 4 - 14	3.4	3.6	3.9	4	4.1	4.2	4.3	4.6	4.7	4.8															
KBE 4 - 19			24.3	25	25.7	26.3	27	28.4	29	29.7	31.1	31.7	32.4	25											
KBE 4 - 24					21	23	25	30	32	34	38	40	42	51	53	59	63	68							
KBE 4 - 28								54	58	62	70	74	78	93	97	109	116	124	136						
KBE 4 - 38									92	99	111	117	123	148	154	173	185	197	216	234	247	259	278		

Material: Insert: Polyurethan 98 Shore A (red)
 Collet Clamp: Aluminum
 Expanding Clamp: Steel



LINE SHAFTS

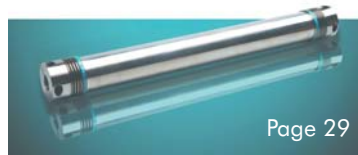
DRE/14~48

Line Shafts with Elastomer Inserts

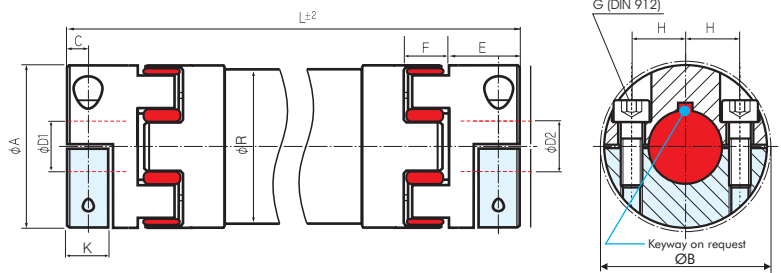
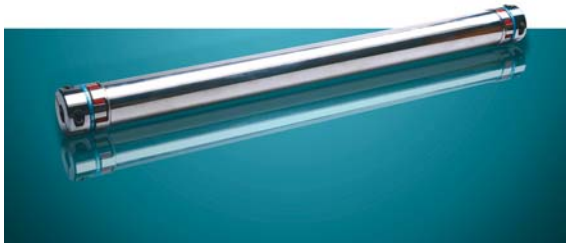


DRB/4.5~500

Line Shafts with Metal Bellows



Split Hubs and Servo Inserts



Order Code: DRE - 19 - 2000 - 10 - 16 - S

Type Size Length L $\phi D1$ (H7) $\phi D2$ (H7) Options

	Abmessungen (mm)											Technical Ratings					
	$\phi D1/D2$		ϕA	E	K	F	L		ϕR	ϕB	C	H	G	T_A (Nm)	T_{KN} (Nm)	T_{Kmax} (Nm)	CT/m (Nm/rad)
	min	max	Outer ϕ				min	max									
DRE-14	4	14	30	11	8	13	102	3000	30	34	5	10.5	M4	5	12.5	25	500
DRE-19	8	20	40	25	17.5	16	133	3000	35	46	8.0	14.5	M6	10	17	34	1770
DRE-24	10	28	55	30	22.0	18	157	3500	50	57.5	10.5	20	M6	10	60	120	6400
DRE-28	14	38	65	35	25.0	20	181	4000	60	73	11.5	25	M8	25	160	320	11400
DRE-38	18	45	80	45	33.0	24	229	4000	75	83.5	15.5	30	M8	25	325	650	23000
DRE-42	22	50	95	50	36.5	26	253	4000	100	93.5	18.0	32	M10	49	450	900	194000
DRE-48	22	55	105	56	39.5	28	281	4000	100	105	18.5	36	M12	86	525	1050	194000

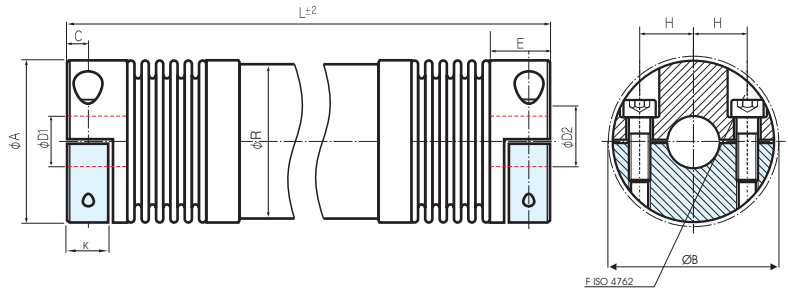
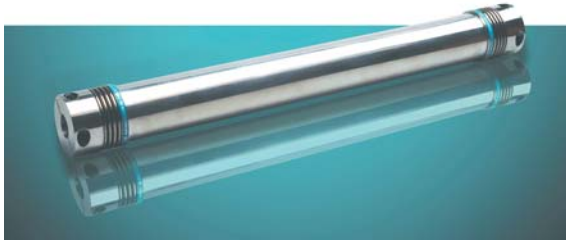
Transmissible Torque (Nm) of Split Hub (without Keyway)

	ϕ (mm)																										
	4	6	8	10	11	14	15	16	18	19	20	22	24	25	28	30	32	35	38	40	42	45	46	48	50	55	
DRE-14	3.5	4.8	5,1	5.5	5.6	6.1																					
DRE-19			17	21	23	30	32	34	38	40	42																
DRE-24				21	23	30	32	34	38	40	42	47	51	53	59												
DRE-28					54	58	62	70	74	78	86	93	97	109	117	124	136	148									
DRE-38								70	74	78	86	93	97	109	117	124	136	148	156	163	175						
DRE-42											136	149	155	174	186	198	217	235	248	260	279	285	297	310			
DRE-48											199	217	226	253	271	290	317	344	362	380	407	416	434	452	498		

⊙ Hubs: Bore Tolerance: H7 Keyway acc. DIN 6885 on request

⊙ Material: Hubs: Aluminum (also available in Stainless Steel)
 Hollow Shaft: Aluminum (up to Size 32), Steel (Size 42 and 48)
 Insert: Polyurethan 98 Shore A (red)

Split Hubs and Metal Bellows



Oder Code: **DRB / 60 - 2000 - 15 - 20 - S**

Type / Size

Length

$\phi D1$
(H7)

$\phi D2$
(H7)

Options

	Torque T_{KN} (Nm)	Dimensions (mm)								Technical Ratings					
		ϕA	$D1/D2$	H	C	E	K	F	ϕR	ϕB	Spring Stiffness Torsional		Missalignment		
		Outer ϕ	Bore Sizes (H7)					Screw (DIN 912) T_A (Nm)	Shaft ϕ	Max ϕ	Bellows $C_T 10^3$ (Nm/rad)	Shaft $C_T 10^3$ (Nm/rad)/m	radial ΔK_r (mm/m)	axial ΔK_a (mm)	angular ΔK_w ($^\circ$)
DRB/4.5	4.5	32.5	6-16	12	5	14	7	M4 3.5	30	34	3.2	0.5	5	2	1.5
DRB/10	10	40.5	6-22	15.5	5	14	7	M4 4.5	35	41.5	4.1	1.8	5	2	1.5
DRB/18	18	45	10-25	17	5.5	19.5	11	M5 8	35	-	10	1.8	5	2	1.5
DRB/30	30	56	10-30	20	7.5	24.5	17	M6 15	50	-	19	6.5	5	2	1.5
DRB/60	60	66	12-32	23	9.5	29	21	M8 36	60	-	37.5	11.5	5	3	1.5
DRB/150	150	82	19-42	28	11	33.5	24	M10 72	75	-	77.5	23	5	4	1.5
DRB/200	200	90	22-45	31	12.5	38	26.5	M12 125	90	-	87.5	73	5	4	1.5
DRB/300	300	110	24-60	39	13	38	28	M12 125	100	-	251	194	5	4	1.5
DRB/500	500	122	35-65	42	15	51	33.5	M12 145	100	-	345	194	5	5	1.5

Material: Bellows - Stainless Steel
Hubs - Aluminum
Hollow Shaft - Aluminum, from Size 300 Steel

Temperature Range: -30°C ~ 120°C

We also manufacture:



The details contained in this catalogue are product descriptions based on our knowledge and experience.

We reserve the right to make alterations at any time and cannot be responsible for any omissions or printing errors.

KBK Antriebstechnik GmbH

Unterlandstraße 46 · 63911 Klingenberg · Germany

Phone: +49-9372-130-4860

Fax: +49-9372-134-730

e-Mail: info@kbk-antriebstechnik.de

www.kbk-antriebstechnik.de

www.kbk-couplingsystems.com

