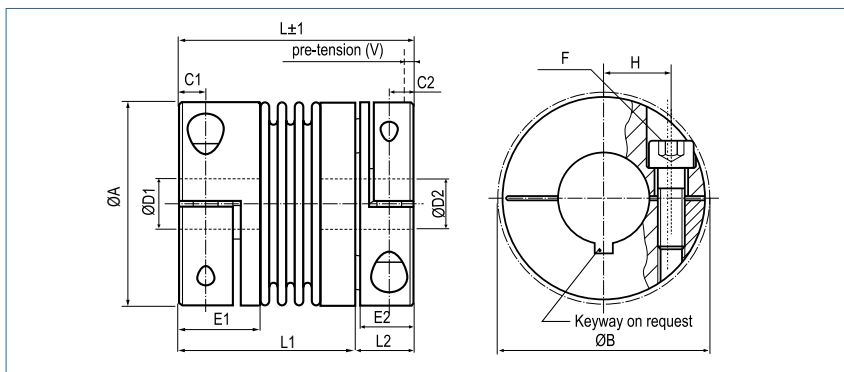


Miniature Metal Bellows Coupling

axial pluggable, with collet clamps

optional
laserwelded
optional full stainless
steel version



Order Code

KB2P / 15 - 30 - 5 - 10 - D - (S)

Type / Size

Length
L

ØD1
(H7)

ØD2
(H7)

Plug System

Options

Size	Torque TKN (Nm)	Dimensions (mm)									Technical Data							
		L	Ø A	Ø B	D1	D2	H	C1	C2	F	Mass (g)	Moment of Inertia J (g cm ²)	Spring Stiffness			Misalignment		
		Length	Outer Ø		Bore Size (H7) min-max	Bore Size (H7) min-max				Screw (ISO4762) TA (Nm)			torsional CT (Nm/rad)	radial CR (N/mm)	axial CA (N/mm)	radial Δ Kr (mm)	axial Δ Ka (mm)	angular Δ Kw (°)
5	0.5	25	15.5	17.5	3-8	3-8	5.2	2.5	2.5	M2	8.7	3.1	260	43	13	0.1	0.2	1
		29			8#					9.1	3.3	200	18	10	0.15	0.3	1.5	
		32			0.43					9.6	3.5	160	9	8	0.2	0.4	2	
10	1	27	15.5	17.5	3-8	3-8	5.2	2.5	2.5	M2	10.5	3.6	510	74	27	0.1	0.2	1
		30			8#					10.8	3.9	380	31	20	0.15	0.3	1.5	
		32			0.43					11.7	4.3	310	16	16	0.2	0.4	2	
15	1.5	30	20	21	3-10	3-10	7	3	3	M2.5	15.2	9.3	750	59	15	0.1	0.3	1.5
		35			10#	7#				0.85	17.5	10.8	700	20	9	0.15	0.4	2
20	2	37	25	27	3-14	3-14	9	3.5	3.5	M3	33.8	27.8	1500	67	12	0.15	0.3	1.5
		43			14#	10#				2	38.5	33.6	1050	11	9	0.25	0.5	2
		47			14#	10#				2	38.5	33.6	1050	11	9	0.25	0.5	2
45	4.5	49	32.5	34	6-18	6-16	12	5	5	M4	71	116	6500	168	32	0.1	0.3	1.5
		58			18#	11#				3.5	78	129.9	4200	41	20	0.2	0.5	2
100	10	56	40.5	41.5	6-25	6-25	15.5	5	5	M4	100	270.3	8100	120	27	0.15	0.4	1.5
		66			25#	18#				4.5	123.5	336.4	6800	29	17	0.3	0.6	2



Speed	max. 15000 min ⁻¹
Material	bellows - stainless steel hub - aluminium
Hub	bore tolerance: H7
Temperature Range	-30 °C ~ 120 °C
Keyway	optional acc. DIN 6885 biggest bore marked with a #

Size	Dimensions (mm)					
	E1	E2	L1	L2	L3	V
5	7	6	18	7	11	0.5
			22			
			25			
10	7	6	20	7	11	0.5
			23			
			25			
15	8.5	6.5	22.5	7.5	12.5	0.5
			27.5			
20	11	10	26	11	16	0.5
			32			
			36			
45	13	12	36	14	20	0.5
			45			
100	13.5	12	43	14	21	1
			53			

