

DS-2DE3A404IW-DE/W (2.8-12 mm) 4 MP 4× IR Wi-Fi Network PTZ Camera



Hikvision DS-2DE3A404IW-DE/W (2.8-12 mm) 4MP 4× IR Wi-Fi Network PTZ Camera can be widely used in multiple indoor and outdoor scenes, such as the corridor, office, convenience store, and restaurant, etc.

- Up to 2560 × 1440 resolution
- Min. illumination
Color: 0.005 Lux @(F1.5, AGC ON)
B/W: 0.001 Lux @(F1.5, AGC ON)
0 Lux with IR
- Up to 50 m IR distance
- H.265+/H.265 video compression
- Built-in speaker and microphone for audible warning and two-way audio
- Wi-Fi
- White light flashing when alarm triggers
- Remote control on mobile phone via Hik-Connect
- Extendable on-board storage (microSD), up to 256 GB
- IP66
- Easy installation



Specifications

Camera Module	
Image Sensor	1/2.8" progressive scan CMOS
Min. Illumination	Color: 0.005 Lux @(F1.5, AGC ON); B/W: 0.001 Lux @(F1.5, AGC ON); 0 Lux with IR
White Balance	Auto/Manual/ATW (Auto-tracking White Balance)/Indoor/Outdoor/Fluorescent Lamp/Sodium Lamp
Gain	Auto/Manual
Shutter Time	1 to 1/30,000 s
Day & Night	IR Cut Filter
Digital Zoom	16 ×
Privacy Mask	24 programmable privacy masks, mask color configurable
Focus Mode	Auto/Semi-automatic/Manual
WDR	120 dB WDR
Lens	
Focal Length	2.8 to 12 mm, 4 × optical zoom
Zoom Speed	Approx. 2 s (optical lens, wide-tele)
Field of View	Horizontal field of view: 96.7° to 31.6° (wide-tele) Vertical field of view: 51.1° to 17.7° (wide-tele) Diagonal field of view: 115.1° to 36.3° (wide-tele)
Working Distance	10 to 1500 mm (wide-tele)
Aperture Range	F1.5 to F2.7
Illuminator	
IR Distance	Up to 50 m
Smart IR	Yes
PTZ	
Movement Range (Pan)	0° to 350°
Pan Speed	Configurable, from 0.1°/s to 60°/s. Preset speed: 65°/s
Movement Range (Tilt)	0° to 90°
Tilt Speed	Configurable, from 0.1°/s to 50°/s. Preset speed: 60°/s
Proportional Zoom	Yes
Presets	300
Patrol Scan	No
Pattern	No
Power-off Memory	Yes
Park Action	Preset
3D Positioning	Yes
PTZ Position Display	ON/OFF
Preset Freezing	Yes
Scheduled Task	Preset/Dome Reboot/Dome Adjust/Aux output

Compression Standard	
Video Compression	Main Stream: H.265+/H.265/H.264+/H.264 Sub-stream: H.265/H.264/MJPEG Third Stream: H.265/H.264/MJPEG
H.264 Type	Baseline profile/main profile/high profile
H.264+	Yes
H.265 Type	Main profile
H.265+	Yes
Video Bitrate	32 Kbps to 16384 Kbps
Audio Compression	G.711alaw/G.711ulaw/G.722.1/G.726/MP2L2/PCM
Audio Bitrate	64 Kbps (G.711)/16 Kbps (G.722.1)/16 Kbps (G.726)/32 Kbps to 192 Kbps(MP2L2)
SVC	Yes
Smart Features	
Basic Event	Motion detection, video tampering detection, alarm input, alarm output, exception (HDD full, HDD error, illegal login, network disconnected, IP address conflict)
Smart Event	Face detection, intrusion detection, line crossing detection, region entrance detection, region exiting detection, object removal detection, unattended baggage detection, audio exception detection
Smart Record	ANR (Automatic Network Replenishment), dual-VCA
Region of Interest	Main stream, sub-stream, and third stream respectively support 4 fixed areas, and dynamic face tracking.
Image	
Max. Resolution	2560 × 1440
Main Stream	50Hz: 25fps (2560 × 1440, 2048 × 1536, 1920 × 1080, 1280 × 960, 1280 × 720) 60Hz: 30fps (2560 × 1440, 2048 × 1536, 1920 × 1080, 1280 × 960, 1280 × 720)
Sub-Stream	50Hz: 25fps (704 × 576, 640 × 480, 352 × 288) 60Hz: 30fps (704 × 480, 640 × 480, 352 × 240)
Third Stream	50Hz: 25fps (1280 × 720, 704 × 576, 640 × 480, 352 × 288) 60Hz: 30fps (1280 × 720, 704 × 480, 640 × 480, 352 × 240)
Image Enhancement	BLC, HLC, defog, 3D DNR, regional exposure, regional focus
Network	
Network Storage	Built-in memory card slot, support microSD/SDHC/SDXC, up to 256 GB; NAS (NFS, SMB/ CIFS), ANR
Protocols	IPv4/IPv6, HTTP, HTTPS, Qos, FTP, SMTP, UPnP, SNMP, DNS, DDNS, NTP, RTSP, RTCP, RTP, TCP/IP, DHCP, PPPoE, Bonjour
API	Open-ended, support ONVIF, and ISAPI, support HIKVISION SDK and Third-Party Management Platform, support Hik-Connect
Simultaneous Live View	Up to 20 channels
User/Host	Up to 32 users. 3 user levels, administrator, operator and user
Security Measures	User authentication (ID and PW), Host authentication (MAC address); HTTPS encryption; IEEE 802.1x port-based network access control; IP address filtering

Client	iVMS-4200, iVMS-4500, iVMS-5200, Hik-Connect
Web Browser	IE 8-11, Chrome 31+, Firefox 30+, Microsoft Edge 41.16299.726.0
Wi-Fi	
Wireless Standards	IEEE 802.11 b/g/n
Frequency Range	2.4 to 2.483GHz
Channel Bandwidth	20/40MHz
Protocols	DSSS/OFDM
Security	64/128-bit WEP, WPA/WPA2, WPS
Transfer Rates	11b:11Mbps; 11g:54Mbps; 11n:150Mbps
Wireless Range	50 m
Interface	
Audio	1-ch audio input (line in/mic in), 2.0 to 2.4Vp-p, 1k Ohm \pm 10%, 1 built-in microphone 1-ch audio output (line out and built-in speaker), line level, impedance: 600 Ω , 1 built-in speaker
Alarm	1-ch alarm input/1-ch alarm output
Network Interface	1 RJ45 10 M/100 M Ethernet interface
General	
Power	12 VDC, PoE 802.3at, max. 19 W (including max. 2.4 W for IR, 1.2 W for white light flashing)
Working Environment	Temperature: -30°C to 60°C (-22°F to 140°F), humidity: \leq 90%, no condensing
Protection Level	IP66 standard, 6000V lightning protection, surge protection and voltage transient protection
Material	ADC12 + PC
Dimension	179.3 mm \times 120.5 mm \times 182 mm (7.06" \times 4.74" \times 7.16")
Weight	Approx. 1.125 kg (2.48 lb.)

DORI

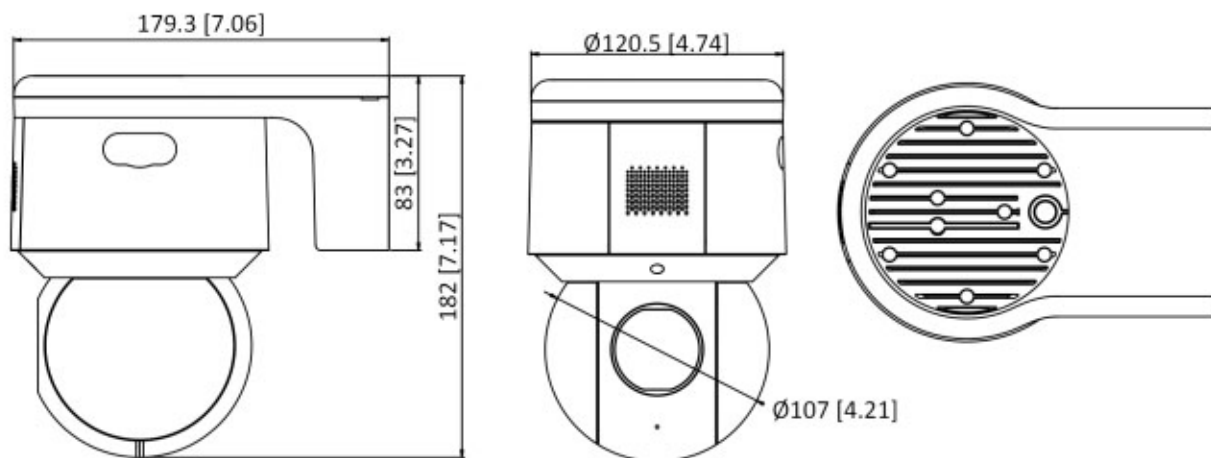
The DORI (detect, observe, recognize, identify) distance gives the general idea of the camera ability to distinguish persons or objects within its field of view. It is calculated based on the camera sensor specification and the criteria given by EN 62676-4: 2015.

DORI	Detect	Observe	Recognize	Identify
Definition	25 px/m	63 px/m	125 px/m	250 px/m
Distance (Tele)	130.9 m (429.5 ft)	51.9 m (170.3 ft)	26.2 m (86 ft)	13.1 m (43 ft)

Available Models

DS-2DE3A404IW-DE/W (2.8-12mm)

Dimensions



Accessory

Included



Power adapter