

## DS-2CD4A26FWD-IZHS/P

### 2 MP Ultra-Low Light Outdoor LPR Bullet Camera

smart IPC  
**DarkFighter™**

- 1/1.8" Progressive Scan CMOS
- High Resolution 1920 x 1080 @ 60 fps (WDR Off)
- Ultra-Low Light – Color: 0.002 Lux
- Auto-Iris
- 120 dB WDR, BLC, EIS, ROI, 3D DNR, Defog
- IP67 Protection w/Built-in Heater
- EXIR Range Up to 165 ft (50 m)
- Capture Rate Up to 99%
- Recognition Rate Up to 95%



Hikvision's License Plate Recognition (LPR) ultra-low light smart camera is able to capture vehicle images and recognize the vehicle number (license) plate in dim light environments.

Hikvision's DS-2CD4A26FWD-IZHS/P camera offers high resolution, 120 dB WDR, auto-iris, PoE, defog, EIS, 3D DNR, IR, heater, alarm I/O, and audio I/O, etc., to meet a wide variety of applications.

The camera is available in 2.8–12 mm and 8–32 mm lens options and features an LP capture rate up to 99 percent and a recognition rate up to 95 percent.

Vehicle speeds of 75 mph (120 km/h) are supported. Up to four lanes of traffic can be monitored. Vehicle direction and recognition of vehicles both approaching and leaving are included.

Up to 2,048 whitelist (authorized) and blacklist (unauthorized) records can be maintained.

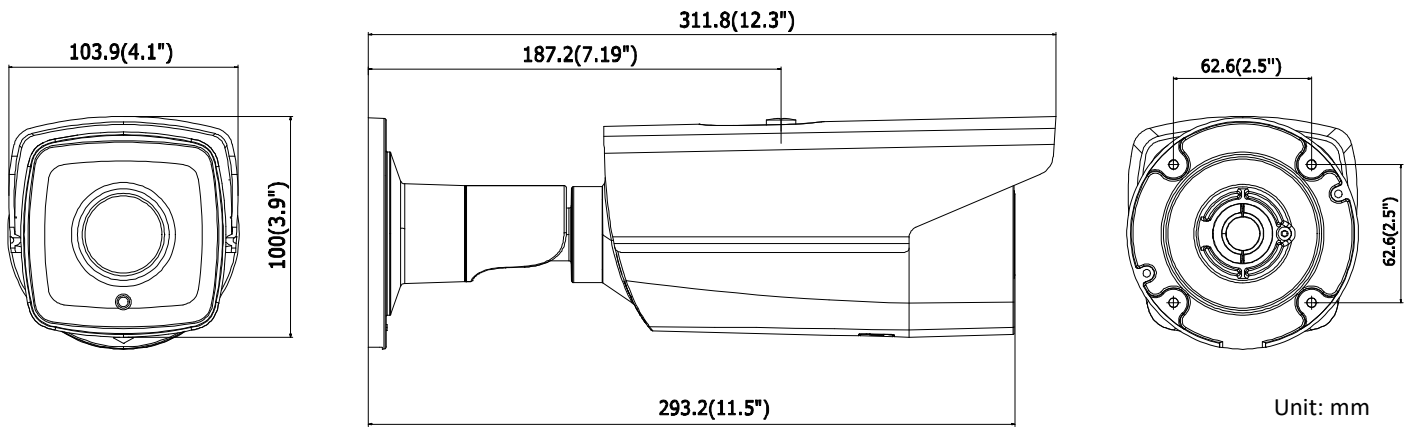
#### Available Models:

DS-2CD4A26FWD-IZHS/P: 2.8-12 mm zoom lens  
DS-2CD4A26FWD-IZHS8/P: 8-32 mm zoom lens



<b>DS-2CD4A26FWD-IZHS/P</b>	
<b>Camera</b>	
Image Sensor	1/1.8" progressive scan CMOS
Minimum Illumination	Color: 0.0027 lux @ f/1.4, AGC on; 0 lux with IR
Shutter Speed	1 s to 1/100,000 s, supports slow shutter
Lens	2.8 mm to 12 mm, f/1.4, horizontal field of view: 92° to 32°; 8 mm to 32 mm, f/1.4, horizontal field of view: 42° to 13.5°
Auto Iris	DC drive
Day/Night	IR cut filter with auto switch
Digital Noise Reduction	3D DNR
WDR	120 dB
<b>Compression Standard</b>	
Video Compression	Main stream: H.264/MPEG4; Sub stream: H.264/MPEG4/MJPEG; third stream: H.264/MPEG4/MJPEG
H.264 Type	Baseline Profile/Main Profile/High Profile
H.264+	Supported
Video Bit Rate	32 Kbps to 16 Mbps
Audio Compression	G.711/G.722.1/G.726/MP2L2
Audio Bit Rate	64 Kbps (G.711)/16 Kbps (G.722.1)/16 Kbps (G.726)/32-160 Kbps (MP2L2)
<b>Image</b>	
Maximum Resolution	1920 × 1080
Main Stream Maximum Frame Rate	50 Hz: 50 fps (1920 × 1080, 1280 × 960, 1280 × 720); 60 Hz: 60 fps (1920 × 1080, 1280 × 960, 1280 × 720)
Sub Stream Maximum Frame Rate	50 Hz: 25 fps (704 × 576, 640 × 480, 352 × 288); 60 Hz: 30 fps (704 × 480, 640 × 480, 352 × 240)
Third Stream Maximum Frame Rate	50 Hz: 25 fps (1920 × 1080, 1280 × 960, 1280 × 720, 704 × 576, 640 × 480, 352 × 288) 60 Hz: 30 fps (1920 × 1080, 1280 × 960, 1280 × 720, 704 × 480, 640 × 480, 352 × 240)
Live View	Up to 20 channels simultaneous views
Image Enhancement	BLC/3D DNR/defog/EIS
Image Setting	Rotate mode, saturation, brightness, contrast, sharpness adjustable by client software or Web browser
Region of Interest	Four fixed regions for each stream, and dynamic tracking
Target Cropping	Supported
Day/Night Switch	Auto/schedule/triggered by alarm in
Analog Output	Supported, CVBS (4CIF resolution)
Picture Overlay	Logo picture can be overlaid on video with 128 × 128 24-bit bmp format
<b>Road Traffic &amp; Vehicle Detection</b>	
Accuracy	Capture rate up to 99%, recognition rate up to 95% (if Hikvision LPR Camera Installation Manual carefully followed)
Vehicle Speed	Supports vehicle speeds under 74.6 mi/h (120 km/h)
Line Numbers	Up to four lines supported. Recommend setting 1 or 2 lines for best performance
Direction	Supports capture and recognition of vehicles both approaching and leaving
Whitelist and Blacklist	Up to 2,048
<b>Network</b>	
Network Storage	Supports microSD/SDHC/SDXC card (128 GB), local storage and NAS (NFS,SMB/CIFS), ANR
Alarm Trigger	Road traffic, motion detection, video tampering alarm, network disconnected, IP address conflict, illegal login, HDD full, HDD error
Protocols	TCP/IP, ICMP, HTTP, HTTPS, FTP, DHCP, DNS, DDNS, RTP, RTSP, RTCP, PPPoE, NTP, UPnP, SMTP, SNMP, IGMP, 802.1X, QoS, IPv6
General Functions	One-key reset, anti-flicker, three streams, heartbeat, password protection, privacy mask, watermark, IP address filter, mirror
Standard	ONVIF (profile S, profile G), ISAPI
<b>Interface</b>	
Communication Interface	1 RJ-45 10M/100M Ethernet port
Audio	1 audio input (line in/mic in), 1 audio output
Alarm	1 input, 1 output
Video Output	1Vp-p composite output (75 Ω/BNC)
On-Board Storage	Built-in microSD/SDHC/SDXC slot, up to 128 GB
Reset Button	Yes
<b>Audio</b>	
Environment Noise Filtering	Supported
Audio I/O	Supported
Audio Sampling Rate	16 kHz/32 kHz/44.1 kHz/48 kHz
<b>General</b>	
Security	Three-level user authentication management, user and password authorization, IP address filtering, security certificate as HTTPS, lock user IP after pre-defined failed login attempts
Operating Conditions	-40° to +140° F (-40° to +60° C), humidity 95% or less (non-condensing)
Power Supply	12 VDC ±10%, terminal block PoE (802.3at, class 4)
Power Consumption and Current	-IZHS/P: 12 VDC, maximum 14.5 W, 1.3 A; PoE, maximum 19.2 W, 0.3 A to 0.5 A
IR	850 nm IR wavelength, up to 164 ft (50 m) for 2.8 to 12 mm lens, up to 328 ft (100 m) for 8 to 32 mm lens
Heater	Supported
Protection	IP67, lightning protection, surge protection, voltage transient protection, anti-static protection
Dimensions	Camera: 3.94" × 4.09" × 12.28" (100 mm × 103.9 mm × 311.8 mm) Package: 15.20" × 6.14" × 6.10" (386 × 156 × 155 mm)
Weight	4.57 lb (2075 g)

## Dimensions



## Accessories

			
PM Vertical Pole Mount	CBS Conduit Base	CB130 Conduit Base	CM Corner Mount Adapter