

DS-2CD1H43G0-IZ 4 MP IR VF Network Turret Camera



Key Features

- 1/3" progressive scan CMOS
- 2560 × 1440@20fps
- 2.8 mm to 12 mm varifocal lens
- H.265+, H.265, H.264+, H.264
- Dual stream
- 3D DNR
- Up to 30 m IR range
- IP67



Specification

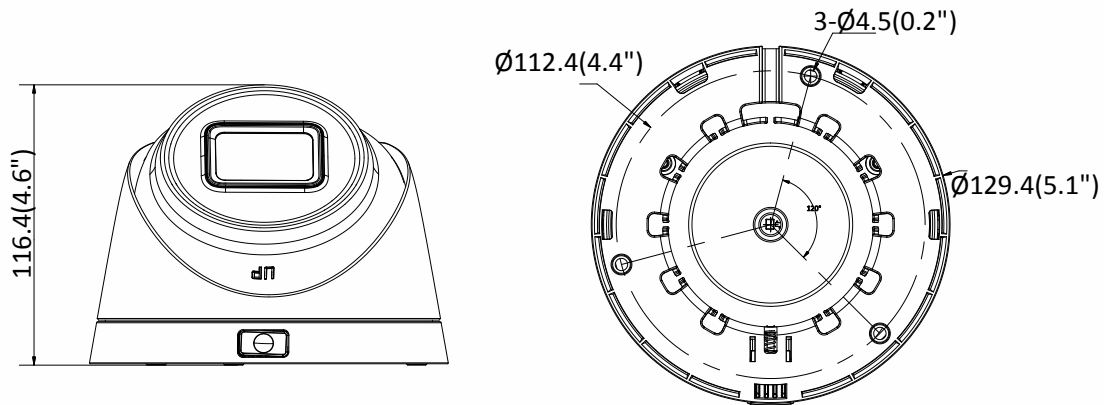
| Camera | |
|---|--|
| Image Sensor | 1/3" progressive scan CMOS |
| Min. Illumination | Color: 0.01 Lux @ (F1.2, AGC ON), 0.02 Lux @ (F1.6, AGC ON) |
| Shutter Speed | 1/3 s to 1/100, 000 s |
| Slow Shutter | Yes |
| Auto-Iris | No |
| Day & Night | IR cut filter |
| Digital Noise Reduction | 3D DNR |
| WDR | 120 dB |
| Angle Adjustment | Pan: 0° to 360°, tilt: 0° to 75°, rotate: 0° to 360° |
| Lens | |
| Focal Length | 2.8 mm to 12 mm |
| Aperture | F1.6 |
| Focus | Auto |
| FOV | Horizontal FOV 92.8° to 29°, vertical FOV 50.2° to 16.4°, diagonal FOV 109° to 32.3° |
| Lens Mount | Ø14 |
| IR | |
| IR Range | Up to 30 m |
| Wavelength | 850 nm |
| Compression Standard | |
| Video Compression | Main stream: H.265/H.264 Sub stream: H.265/H.264/MJPEG |
| H.264 Type | Baseline Profile/Main Profile/High Profile |
| H.264+ | Main stream supports |
| H.265 Type | Main Profile |
| H.265+ | Main stream supports |
| Video Bit Rate | 32 Kbps to 8 Mbps |
| Smart Feature-set | |
| Region of Interest | 1 fixed region for main stream and sub-stream |
| Image | |
| Max. Resolution | 2560 × 1440 |
| Main Stream Max. Frame Rate | 50Hz: 20fps (2560 × 1440), 25fps (2304 × 1296, 1920 × 1280, 1280 × 720) 60Hz: 20fps (2560 × 1440), 30fps (2304 × 1296, 1920 × 1280, 1280 × 720) |
| Sub-stream Max. Frame Rate | 50Hz: 25fps (640 × 480, 640 × 360, 320 × 240) 60Hz: 30fps (640 × 480, 640 × 360, 320 × 240) |
| Image Enhancement | BLC, 3D DNR |
| Image Settings | Saturation, brightness, contrast, sharpness, AGC, white balance adjustable by client software or web browser |
| Day/Night Switch | Auto, scheduled, day, night |
| * Note: The frame rate of the sub-stream cannot exceed the maximum frame rate of the current main stream. | |
| Network | |
| Alarm Trigger | Motion detection, video tampering, network disconnected, IP address conflict, illegal login, HDD error, HDD full |
| Network Storage | Support built-in microSD/SDHC/SDXC card (128G), local storage and NAS (NFS,SMB/CIFS), ANR |
| Protocols | TCP/IP, ICMP, HTTP, HTTPS, FTP, DHCP, DNS, DDNS, RTP, RTSP, RTCP, NTP, UPnP, SMTP, IGMP, 802.1X, QoS, IPv6, UDP, Bonjour |
| General Function | One-key reset, anti-flicker, heartbeat, mirror, password protection, privacy mask, watermark, IP |

| | |
|-------------------------------|--|
| | address filter |
| Firmware Version | 5.5.52 |
| API | ONVIF (PROFILE S, PROFILE G), ISAPI |
| Simultaneous Live View | Up to 6 channels |
| User/Host | Up to 32 users 3 levels: Administrator, Operator, and User |
| Client | iVMS-4200, Hik-Connect, iVMS-5200, iVMS-4500 |
| Web Browser | IE8+, Chrome 31.0-44, Firefox 30.0-51, Safari 8.0+ |
| Interface | |
| Communication Interface | 1 RJ45 10M/100M self-adaptive Ethernet port |
| On-board Storage | Built-in microSD/SDHC/SDXC slot, up to 128 GB |
| Reset Button | Yes |
| General | |
| Operating Conditions | -30 °C to 60 °C (-22 °F to 140 °F), humidity: 95% or less (non-condensing) |
| Power Supply | 12 VDC ± 25%, 5.5 mm coaxial power plug PoE (802.3af, class 3) |
| Power Consumption and Current | 12 VDC, 1 A, Max: 11 W PoE: (802.3af, 36 V to 57 V), 0.4 A to 0.2 A, Max: 12.5 W |
| Ingress Protection | IP67 |
| Material | Camera body: metal, bottom base: plastic |
| Dimensions | Camera: Ø 129.4 mm × 116.4 mm (5.1" × 4.6") With package: 170 mm × 170 mm × 150 mm (6.7" × 6.7" × 5.9") |
| Weight | Camera: 560 g (1.2 lb.) With package: 850g (1.9 lb.) |

Available Model

DS-2CD1H43G0-IZ (2.8 to 12 mm)

Dimensions



Accessories



DS-1273ZJ-130-TRL
Wall Mount



DS-1271ZJ-130-TRL
Pendant Mount



DS-1275ZJ
Vertical Pole Mount



DS-1276ZJ
Corner Mount



DS-1280ZJ-M
Junction Box



DS-1281ZJ-M
Inclined Ceiling Mount

Distributed by



HIKVISION®

Headquarters

No.555 Qianmo Road, Binjiang District,
Hangzhou 310051, China
T +86-571-8807-5998
overseasbusiness@hikvision.com

Hikvision USA
T +1-909-895-0400
sales.usa@hikvision.com

Hikvision Europe
T +31-23-55-42-770
info.eu@hikvision.com

Hikvision Middle East
T +971-4-8816086
salesme@hikvision.com

Hikvision Russia
T +7-495-669-67-99
saleru@hikvision.com

Hikvision India
T +91-22-28469900
sales@pramahikvision.com

Hikvision Italy
T +39-0438-6902
info.it@hikvision.com

Hikvision France
T +33(0)1-85-330-450
info.fr@hikvision.com

Hikvision Spain
T +34-91-737-16-55
info.es@hikvision.com

Hikvision Poland
T +48-22-460-01-50
poland@hikvision.com

Hikvision UK
T +01628-902140
support.uk@hikvision.com

Hikvision Singapore
T +65-6684-4718
sg@hikvision.com

Hikvision Oceania
T +61-2-8599-4233
salesau@hikvision.com

Hikvision Canada
T +1-909-895-0400
sales.usa@hikvision.com

Hikvision Korea
T +82-31-731-8841
sales.korea@hikvision.com

Hikvision Brazil
T +55 11 3318-0050
Latam.support@hikvision.com

Hikvision Africa
T +27 (10) 0351172
sale.africa@hikvision.com

Hikvision Hong Kong
T +852-2151-1761