

User instructions

VA20HD, VA55HD, VA55IND and VA75IND

Commercial wet/dry vacuum cleaners



CAUTION - READ THESE INSTRUCTIONS BEFORE USING THE MACHINE

Contents

	Page
1 Product information	3
1.1 Important safety advice	3
1.2 Guidelines for the operator	3
1.3 Transporting the machine	3
2 Preparing for use	4
2.1 Electrical connection	4
2.2 Wet operation	4
2.3 Dry operation	4
3 Controls	4
4 Operation	4
5 Storage	5
6 Maintenance	5
7 After sales service	5
8 Guarantee	5
9 Waste Electronic & Electrical Equipment	6
10 Technical specification	6
11 Accessories	7
12 Fault diagnosis	7
13 Declaration of conformity	8

IMPORTANT

1.2 Guidelines for the operator
1.3 Transporting the machine
1.4 Use of the machine
1.5 Maintenance
1.6 Troubleshooting
1.7 Accessories
1.8 Safety symbols
1.9 Declaration of CE marking
1.10 Declaration of EMC marking
1.11 Declaration of RoHS marking
1.12 Declaration of REACH marking
1.13 Declaration of WEEE marking
1.14 Declaration of PSE marking
1.15 Declaration of FCC marking
1.16 Declaration of KC marking
1.17 Declaration of UKCA marking
1.18 Declaration of UKCA marking
1.19 Declaration of UKCA marking
1.20 Declaration of UKCA marking
1.21 Declaration of UKCA marking
1.22 Declaration of UKCA marking
1.23 Declaration of UKCA marking
1.24 Declaration of UKCA marking
1.25 Declaration of UKCA marking
1.26 Declaration of UKCA marking
1.27 Declaration of UKCA marking
1.28 Declaration of UKCA marking
1.29 Declaration of UKCA marking
1.30 Declaration of UKCA marking
1.31 Declaration of UKCA marking
1.32 Declaration of UKCA marking
1.33 Declaration of UKCA marking
1.34 Declaration of UKCA marking
1.35 Declaration of UKCA marking
1.36 Declaration of UKCA marking
1.37 Declaration of UKCA marking
1.38 Declaration of UKCA marking
1.39 Declaration of UKCA marking
1.40 Declaration of UKCA marking
1.41 Declaration of UKCA marking
1.42 Declaration of UKCA marking
1.43 Declaration of UKCA marking
1.44 Declaration of UKCA marking
1.45 Declaration of UKCA marking
1.46 Declaration of UKCA marking
1.47 Declaration of UKCA marking
1.48 Declaration of UKCA marking
1.49 Declaration of UKCA marking
1.50 Declaration of UKCA marking
1.51 Declaration of UKCA marking
1.52 Declaration of UKCA marking
1.53 Declaration of UKCA marking
1.54 Declaration of UKCA marking
1.55 Declaration of UKCA marking
1.56 Declaration of UKCA marking
1.57 Declaration of UKCA marking
1.58 Declaration of UKCA marking
1.59 Declaration of UKCA marking
1.60 Declaration of UKCA marking
1.61 Declaration of UKCA marking
1.62 Declaration of UKCA marking
1.63 Declaration of UKCA marking
1.64 Declaration of UKCA marking
1.65 Declaration of UKCA marking
1.66 Declaration of UKCA marking
1.67 Declaration of UKCA marking
1.68 Declaration of UKCA marking
1.69 Declaration of UKCA marking
1.70 Declaration of UKCA marking
1.71 Declaration of UKCA marking
1.72 Declaration of UKCA marking
1.73 Declaration of UKCA marking
1.74 Declaration of UKCA marking
1.75 Declaration of UKCA marking
1.76 Declaration of UKCA marking
1.77 Declaration of UKCA marking
1.78 Declaration of UKCA marking
1.79 Declaration of UKCA marking
1.80 Declaration of UKCA marking
1.81 Declaration of UKCA marking
1.82 Declaration of UKCA marking
1.83 Declaration of UKCA marking
1.84 Declaration of UKCA marking
1.85 Declaration of UKCA marking
1.86 Declaration of UKCA marking
1.87 Declaration of UKCA marking
1.88 Declaration of UKCA marking
1.89 Declaration of UKCA marking
1.90 Declaration of UKCA marking
1.91 Declaration of UKCA marking
1.92 Declaration of UKCA marking
1.93 Declaration of UKCA marking
1.94 Declaration of UKCA marking
1.95 Declaration of UKCA marking
1.96 Declaration of UKCA marking
1.97 Declaration of UKCA marking
1.98 Declaration of UKCA marking
1.99 Declaration of UKCA marking
2.00 Declaration of UKCA marking

1 Product information

These commercial wet or dry vacuum cleaners are designed for the collection of dust or liquids in indoor areas. They should not be used in outdoor areas.

The following instructions contain important information about the machines and safety advice for the operator.

Equipment must be operated, serviced and maintained in accordance with the manufacturer's instructions.

If in doubt contact the supplier of your machine.

These instructions are valid for the following models.

VA20HD VA55HD VA55IND, VA55IND/110 VA75IND, VA75IND/110

1.1 Important Safety Advice

When using electrical equipment basic safety precautions should be followed including the following.

- Read all instructions carefully before use.
- Keep children and unauthorised persons away from the machine when in use.
- **Do not** leave the machine connected to the electricity supply when not in use, always remove the plug from the socket-outlet.
- **Do not** operate switches or touch the mains plug with wet hands as this may cause electric shock.
- Switch off the machine before removing the plug.
- When unplugging pull the plug, not the supply cord.
- **Do not** operate the machine with a damaged supply cord or plug, or after the machine malfunctions or is damaged in any way. Contact an authorised Service Agent for repair or adjustment.
- The plug of the power supply cord must be removed from the socket-outlet before commencing cleaning of the machine or undertaking maintenance operations.
- The power supply cord must be regularly inspected for signs of damage. If the power supply cord is damaged, it has to be replaced.
- **Do not** use where hazardous dust is present.
- **Do not** use in an explosive atmosphere.
- **Do not** pick up oil or other flammable material.
- Take care when using a machine near the top of stairs to avoid overbalancing.

- Operators must be fully trained in the use of the machine in accordance with these instructions, able to perform user maintenance and the correct selection of accessories, i.e. filters, hoses etc.
- **Do not** leave machine running unattended
- Operators should be physically capable to manoeuvre, transport and operate the machines.
- Operators should be able to recognise unusual operation of the machine and report any problems.
- Wear suitable footwear to avoid slipping.
- Wear suitable clothing to keep dry and warm.
- Where possible implement job rotation and adequate rest periods to avoid continuous use of the same muscles.
- **Do not** smoke when using the machine.
- **WARNING** – should foam/liquid emit from the machine exhaust **switch off immediately** and refer to instructions for operating the machine.
- **CAUTION** – This machine is for indoors use only and should not be used or stored outdoors or in wet conditions.

1.3 Transporting the machine

When transporting a machine ensure that all components, tanks and removable parts are securely fastened and that the supply cord and plug are not trailing. Detach hose and wand from machine where applicable.

Do not lift or transport the machine whilst containing liquid as this would add considerably to the weight.

Take extreme care when moving a machine up or down steps or stairs.

Caution – VA55HD, VA55IND and VA75IND machines are large and heavy. **Do not attempt to lift these machines without assistance.** Incorrect lifting techniques may result in personal injury.

2 Preparing for use

2.1 Electrical connection

Before connecting the machine to the power supply, check that your supply voltage corresponds with that marked on the rating label on the handle of the machine.

The power supply cord plus any extension leads should not exceed 30m in total. The cross-section of any extension cable wiring must be at least 2,5 mm².

UK only

The supply cord for 230v models is fitted with a plug containing a 13 amp fuse. Should the fuse require replacement it must only be replaced by a 13 amp fuse conforming to BS1362, and the fuse cover must be refitted. If the fuse cover is lost the plug must **not** be used until the correct replacement cover is fitted.

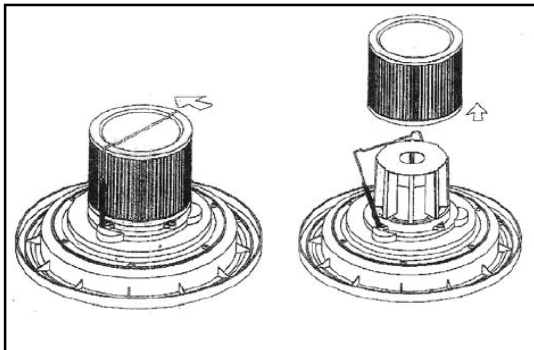
IMPORTANT - If the supply cord is damaged, it must only be replaced by a suitable cord available from the manufacturer or an authorised service agent.

WARNING - VA55HD, VA7555IND & VA75 IND MUST BE EARTHED. VA20HD IS DOUBLE INSULATED.

2.2 Wet operation

For the VA55HD, VA55IND and VA75IND the pleated paper filter must be removed for wet recovery. Push the metal ping counter clockwise to release the filter. Remove the pleated paper filter. (See fig below)

The primary filter (cloth filter on frame) and float valve assembly must be in place.



2.3 Dry operation

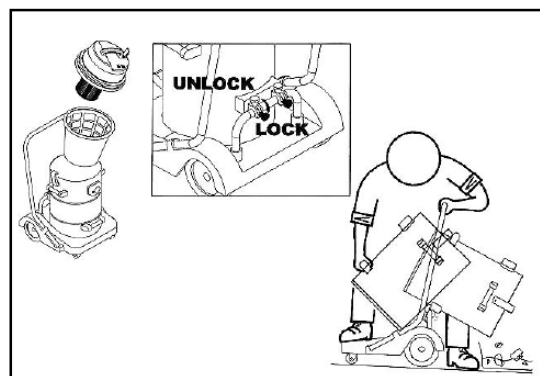
For the VA55HD, VA55IND and VA75IND **both** the primary filter (cloth filter on frame) and pleated paper filter **must** be in position for dry recovery.

3 Controls

The ON/OFF motor switch is located on the motor cover of all machines. The VA75IND features two motors, each controlled by a separate switch.

4 Operation

- Check that the correct filters are in place:
 - Wet use – remove pleated paper filter.
 - Dry use – ensure pleated paper filter is in place
 - For both wet or dry use ensure the large primary filter is in place
- Reposition motor head on container and fasten toggle clamps.
- Connect hose to machine inlet, ensuring that clip engages fully. Add extension tubes and select suitable floor tool for your cleaning operation
- Fully unwind the supply cord and plug into a convenient socket outlet. Switch machine on.
- Pass tool backwards and forwards over area to be cleaned. To reduce suction when necessary move slide control on wand.
- When using the machine for dry collection regularly check that vacuum is not full.
- When using the machine for wet pick-up a high liquid level cut off device (float valve) operates when the vacuum cleaner is full. This causes a change in the sound level and an immediate loss of suction. **Switch off**



immediately and unplug the machine.

Empty the machine

- VA20HD – Remove motor head and hose and empty liquid from tank.

- VA55HD – Release drain hose from clip. Remove plug from drain hose end to drain. When draining is complete replace hose plug and snap hose back into clips on tank side.
- VA55IND & VA75IND – these models have a tip and pour trolley.
 - Remove the motor head and take out the primary filter and frame.
 - Unlock the knob (see diagram below)
 - Grip the handle with one hand, use one foot to brace the trolley and lift the handle on the tank by the other hand to empty the tank.

5 Storage

- After use check that the machine is empty then clean and dry the machine. If used for wet pick up remove motor head and wash out tank with clean water and dry.
- Thoroughly clean the primary filter, paying particular attention if machine has been used to collect stripper, slurries or anything that could dry to hard crust.
- Wrap supply cord around the handle or machine body ensuring that the plug is not trailing on the floor.
- Store the machine in a dry indoor area only.

6 Maintenance

WARNING - Before undertaking maintenance operations or adjustments switch off machine and unplug from the electricity supply.

The machine requires minimum maintenance apart from the following checks by the operator.

- **Supply cord** – Regularly inspect sheath, plug and cord anchorage for damage or loose connection.
- **Body of the machine** – Clean with a damp cloth.
- **Primary filter** – clean and dry after each use. Avoid build-up of collected debris setting solid on the filter.
- **Float valve** – clean and ensure float moves freely

IMPORTANT - Should the machine fail to operate contact Truvox Customer Service Department for rapid attention.

7 After sales service

Truvox machines are high quality machines that have been tested for safety by authorised technicians. It is always apparent that after longer working periods, electrical and mechanical components will show signs of wear and tear or ageing.

To maintain operational safety and reliability the following service interval has been defined: Every year or after 250 hours.

Under extreme or specialised conditions and/or insufficient maintenance, shorter maintenance intervals are necessary. Use only original Truvox spare parts. **Use of other spare parts will invalidate all warranty and liability claims.**

Should you require after sales service please contact the supplier from whom you purchased the machine, who will arrange service. Repairs and servicing of Truvox products should only be performed by trained staff. Improper repairs can cause considerable dangers to the user. Enquire about the Truvox low cost and efficient Maintenance Contract.

8 Guarantee

Your product is guaranteed for one year from the date of original purchase, or hire purchase, against defects in materials or workmanship during manufacture. Within the guarantee period we undertake at our discretion, to repair or replace free of charge to the purchaser, any part found to be defective, subject to the following conditions.

CONDITIONS

1. Claims made under the terms of the guarantee must be supported by the original invoice/bill of sale issued at the time of sale, or the machine Serial No.
2. For claims under this guarantee contact the supplier from whom you purchased the product who will arrange the appropriate action. Do not initially return the product as this could result in transit damage.

3. Neither Truvox nor its distributor shall be liable for any incidental or consequential loss.
4. This guarantee is governed by the laws of England.

5. This guarantee does not cover any of the following:

- Periodic maintenance, and repair or replacement of parts due to normal wear and tear.
- Damage caused by accident, misuse or neglect, or the fitting of other than genuine Truvox parts.
- Defects in other than genuine Truvox parts, or repairs, modifications or adjustments performed by other than a Truvox service engineer or authorised service agent.
- Costs and risks of transport relating directly or indirectly to the guarantee of this product.
- Consumable items such as, brushes, drive discs, filters and vacuum skirts.

This guarantee does not affect your statutory rights, or your rights against the supplier arising from their sales or purchase contract.

Truvox International Limited policy is one of continual product development and we reserve the right to alter specifications without prior notice

9 Waste Electrical & Electronic Equipment

Do not dispose of electrical appliances as unsorted municipal waste, use separate collection facilities.

Contact your local government for information regarding the collection systems available.

If electrical appliances are disposed of in landfills or dumps, hazardous substances can leak into the groundwater and get into the food chain, damaging your health and well-being.

When replacing old appliances with new ones, the retailer is legally obligated to take back your old appliance for disposal at least for free of charge.

10 Technical Specification

Model		VA20 HD	VA55 HD	VA55 IND	VA55 IND/110	VA75 IND	VA75 IND/110
Tank material		Polyethylene		18 gauge stainless steel			
Voltage a.c.	V	230	230	230	110	230	110
Frequency	Hz	50 / 60	50 / 60	50 / 60	50 / 60	50 / 60	50 / 60
No. of motors		1	1	1	1	2	2
Motor rating (total)	W	1200	1200	1200	1200	2400	2400
Capacity – dry	L	17	51.1	52.9	52.9	68.1	68.1
Capacity – wet	L	18.9	56.8	58.8	58.8	75.7	75.7
Construction class		11	1	1	1	1	1
Protection	IP	IPX4	IPX4	IPX4	IPX4	IPX4	IPX4
Airflow	l/sec	54	54	54	54	90	90
Vacuum	kPa	24.9	24.9	24.9	24.9	19.9	19.9
Hose length	m	2	3	3	3	3	3
Cable length	m	8	8	8	8	8	8
Size (l x w x h)	cm	49x39x36	92x39x50	94x53x68	94x53x68	94x61x80	94x61x80
Weight	kg	10.4	27.7	23.6	23.6	35.4	35.4
Noise Level (see note 1)	dB(A)	85	85	85	85	85	85

1 - Noise levels measured at a distance of 1 metre from machine and 1,6 metres above floor, Measurements recorded using a hand held meter.

11 Accessories

Item	Part No.	Usage
Fixed floor nozzle	FM100H	for VA55HD
Fixed floor nozzle	FM100	for VA55IND
Fixed floor nozzle	FM200	for VA75IND

IMPORTANT : Genuine accessories are only available from authorised Service Agents or Truvox Customer Service Dept.

12 Fault diagnosis

The following simple checks may be performed by the operator.

Trouble	Reason	Remedy
Machine not working.	<ul style="list-style-type: none"> • Lack of voltage/electrical supply. 	<ul style="list-style-type: none"> • Check fuse *, supply cord, plug and socket outlet.
Loss of suction	<ul style="list-style-type: none"> • Tank full. • Dry filter assembly clogged • Clogged hose or wand. • Tank rim is dented • Loose or broken fan • Motor not working • Float not functioning • Seal worn 	<ul style="list-style-type: none"> • Empty Tank • Clean cloth filter • Remove obstruction • Replace tank • Contact supplier • Contact supplier • Check to see if float moves freely or tank is full. • Replace seal
Motor is not running	<ul style="list-style-type: none"> • Broken switch • Defective power cord • Defective motor 	<ul style="list-style-type: none"> • Contact supplier • Contact supplier • Contact supplier
Dust blowing from unit when running	<ul style="list-style-type: none"> • Cloth filter dirty • Cloth filter is torn • Cloth filter is not installed 	<ul style="list-style-type: none"> • Clean cloth filter. • Replace filter. • Install cloth filter, when vacuuming very fine dust.
Water blowing from unit when running	<ul style="list-style-type: none"> • Tank is full of liquid • Sudsy or foamy liquid is being picked up 	<ul style="list-style-type: none"> • Empty tank. • Add defoamer to tank

* If the fuse blows several times, the machine should be checked by an authorised Service Agent.

13 Declaration of conformity

EC Declaration of conformity

We, Truvox International Ltd.

Of Third Avenue
Millbrook Trading Estate
Southampton SO15 0LE
England

declare that the machinery

Make : Commercial wet / dry vacuum cleaners
Type : VA HD and VA IND
Model : VA20HD, VA20HD/110, VA55HD, VA55HD/110
VA55IND, VA55IND/110, VA75IND, VA75IND/110

Year of Construction : from 2006

has been manufactured using the following transposed harmonised European Standards and technical specifications.

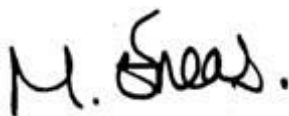
BS EN 50081-1, BS EN 55014-1 & 2, BS EN 60335-1 and BS EN 60335-2-69, and is in conformity with:

the Machinery Directive 98/37/EC and subsequent amendments,
the Low Voltage Directive 73/23/EEC and subsequent amendments,
and the EMC Directive 89/336/EEC and subsequent amendments.

Signed in : SOUTHAMPTON, England

on the 1st day of December 2006

Signature :



Name : Malcolm Eneas
Position : New Product Development Manager