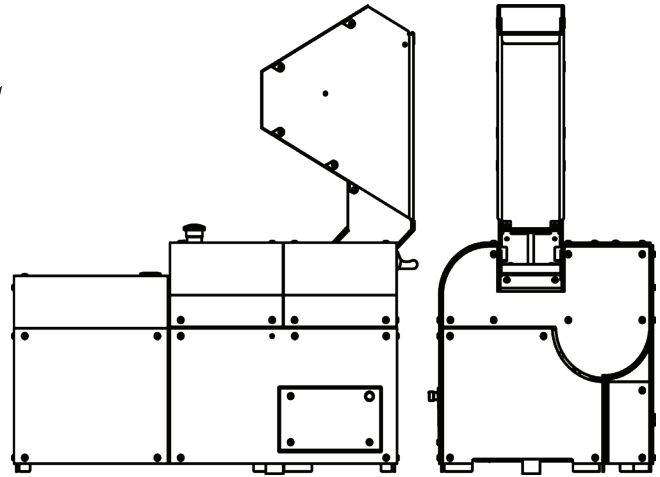


SHR3D IT PLASTIC SHREDDER



SHR3D IT PLASTIC SHREDDER

Product Specifications

Hardware	Dimensions *excluding hopper	550 x 310 x 310 mm 21.7 x 12.2x 12.2 inches
	Blades- shredder	9 RPM 6 premium shredder blades Reversible rotation
	Blades- Granulator	900 RPM 3 superior granulator knives Replaceable
	Blades- Hardening treatment	High carbon and chromium air hardened steel
	Color	Industrial black exterior
Energy	Consumption	1100 W
	Voltage	220 – 230 V
	Frequency	50 – 60 Hz
Accessibility	Operation	3 push buttons: On / Off / Emergency stop
	Clean	Quick and easy access
	Adjust	Simple to change filter
	Repair	Replaceable knives
Output	Speed	5.1 kg 2.85 PLA filament / hour * 4.0 liter 2.85 PLA filament / hour *
	Granulate diameter range	Filter screen hole size or smaller 2 – 4 mm (0.08 – 0.16 inches)
	Regrind filter	4 mm (0.12 inches) included

For more info on the **SHR3D IT Plastic Shredder** or questions about our extrusion ecosystem contact sales at:

sales@3devo.com

3devo
MATERIALS MADE SIMPLE.