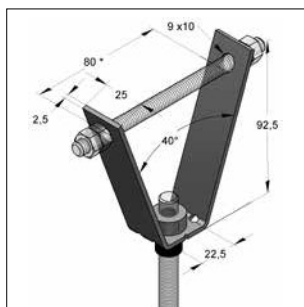
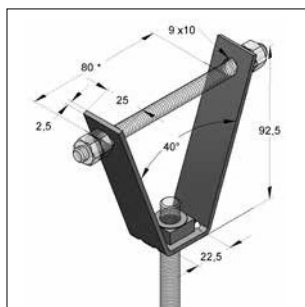


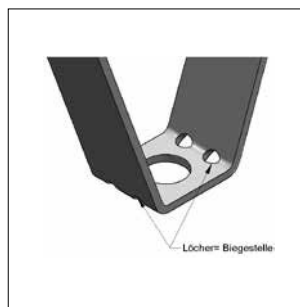
Trapeze hanger



Trapeze hanger with height regulator



Trapeze hanger with welded nut



can bend open (up to approx. 120 mm)



VdS-approval number:
G4930025 with connection
M8 and M10, up to OD 50

Specification:

Mounting instruction: trapeze hanger with threaded rod should be mounted via the lateral holes.
For mounting the pipelines and ventilation ducts directly under a trapeze sheeting.

Needed accessory: threaded bolt M8 / 110
hexagon nut M8, DIN EN ISO 4032

Technical data:

Material: steel
Material type: S235JR
Surface: galvanized

* not approved according to VdS

With mounted height-adjustment nut

Identification	Threaded connection	max. load [kN]	Weight [kg/pc.]	Packing [pcs.]	Part-No.
Trapeze hanger MU-B	M8	2,0	0,117	100	0783803
Trapeze hanger MU-B	M10	2,0	0,121	100	0783838

With welded nut for mounting rails

Trapeze hanger MU-S	M8	2,0	0,111	100	0783900
Trapeze hanger MU-S	M10	2,0	0,117	100	0783935
Trapeze hanger MU-S*	M12	2,0	0,121	100	0783950

With hole

Trapeze hanger hole 16,5 mm*		2,0	0,101	100	0783801
------------------------------	--	-----	-------	-----	---------