

# PLD Series D25mm LED Tower Light-Aluminum Body type



Super slim 25mm Tower Light with aluminum body, ideal for small devices.



## Product Feature

- Hybrid Prism Cut Lens
- Enhanced Illumination: Special high intensity illumination design.
- Installation: Direct mount with a single hole.
- Main Body: Corrosion resistant anodizing aluminum.
- Lens: polycarbonate resin
- Body Length: PLDS 60mm / PLDM 100mm / PLDL 200mm
- Mounting : Indoor & Upright Only
- This product conforms to the CE requirements and shows the CE Marking
- This product complies with the RoHS Directive

## Ordering information

**PLD M - F 3 02 - RYG (W)**

① ② ③ ④ ⑤ ⑥

### ① Body Length

S	65mm Aluminum Body
M	100mm Aluminum Body
L	200mm Aluminum Body

### ② Light Style

No mark	Steady
F	Steady + Flashing

### ③ Number of Stack

1	1 Stack	4	4 Stacks
2	2 Stacks	5	5 Stacks
3	3 Stacks		

### ④ Power Supply

01	12VDC
02	24VDC

### ⑤ Lens Color (Top to Bottom)

R	Red	B	Blue
Y	Yellow	C	Clear
G	Green		

### ⑥ Lens color (option)

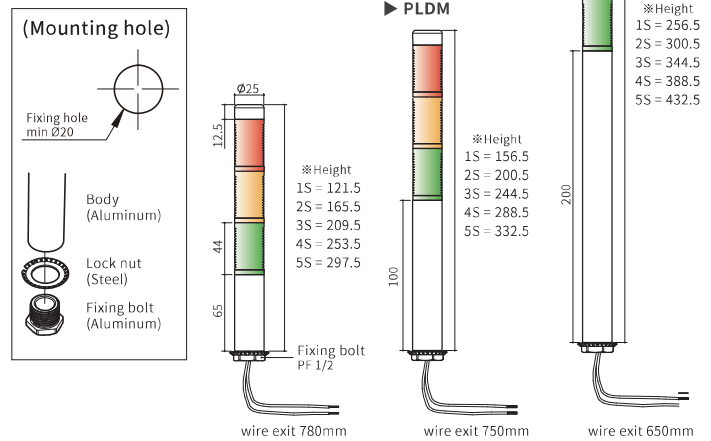
(W)	All lens color - Clear
-----	------------------------

## Specifications

Dimension	25mm	
Power supply	12VDC, 24VDC	
Function	Steady, Flashing	
Flashing rate	80±5 times/minute	
Maximum stacked quantity	Up to 5 Stacks	
Lens color	Red, Yellow, Green, Blue, Clear	
Ambient temperature	-15°C ~ 40°C	
Storage ambient temperature	-20°C ~ 70°C	
Ambient humidity	45~85% RH (no condensation)	
Insulation resistance	100MΩ minimum (500VDC megger)	
Vibrator	0.75mm at 10~55Hz	
Material	Pole Body: Aluminum	Lens: PC resin
	Fixing bolt: Aluminum	Lock Nut: Steel
Mounting method	Body direct mount	
Approval	CE, RoHS	
Protection structure	IP52	
Connection	UL1007 / 22AWG	

Note: Life of the LED varies according to operating conditions and environment

## Dimensions (Unit:mm)



## Current Consumption (RMS ±10%)

Number of stack	12VDC	24VDC
1stack	0.07A	0.03A
2stacks	0.14A	0.07A
3stacks	0.21A	0.10A
4stacks	0.28A	0.13A
5stacks	0.35A	0.16A

## Optional Parts Wall Mounting Bracket



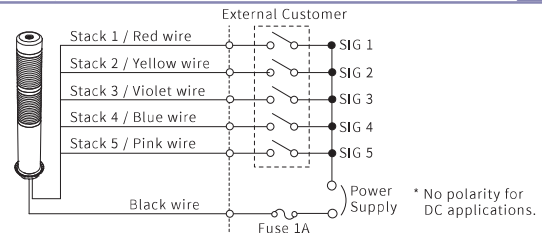
**MAM-DS25**  
Steel

See Page 80 ~ 81 >>  
for Mounting Options  
and Accessories.

## Connection Diagram

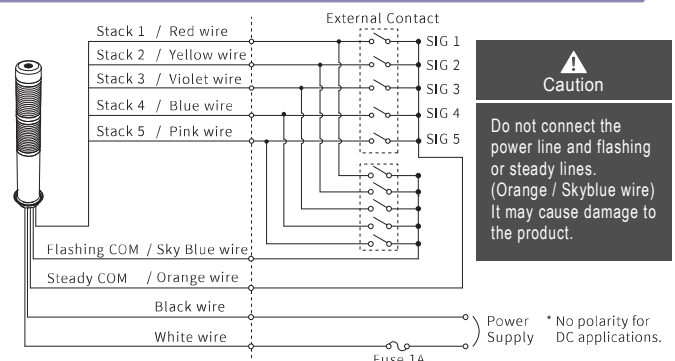
12VDC, 24VDC

Steady



12VDC, 24VDC

Steady / Flashing



**Caution**

Do not connect the power line and flashing or steady lines. (Orange / Skyblue wire) It may cause damage to the product.