

# PR Series D56mm Bulb type Tower Light



Vibration-absorption mechanism extends bulb life.

The unique vibration absorbing structure using new material reduces vibration and impact from all machines and devices, greatly extending bulb life.



Suitable for displaying the operation status of machines tools, industrial machines, special purpose machines, automatic production line, robot, etc.

## Product Feature

- Shock and Vibration Tolerant
- Option to use LED bulb
- Shock and Vibration Tolerant & IP20 Ingress Protection

## Ordering information

**PR P F - 3 02 - RYG**

### ① Mounting Style

P	D18mm Aluminum pole + Plastic mount base
G	Plastic mount base
M	M18 Screw Aluminum pole

### ② Light Style

No mark	Steady
F	Flashing
B	Steady + Buzzer
Z	Steady + Flashing + Buzzer

### ④ Power Supply

01	12VAC/DC
02	24VAC/DC
10	110VAC
20	220VAC

### ③ Number of Stack

1	1 Stack	4	4 Stacks
2	2 Stacks	5	5 Stacks
3	3 Stacks		

### ⑤ Lens Color (Top to Bottom)

R	Red	B	Blue
Y	Yellow	C	Clear
G	Green		

## Specifications

Function	Steady, Flashing, Buzzer
Power supply	12VAC/DC, 24VAC/DC, 110VAC, 220VAC(50~60Hz)
Maximum stacked quantity	May be ordered as 1, 2, 3, 4 or 5 stacks
Lens color	Red, Yellow, Green, Blue, Clear
Buzzer volume	80±5dB at 1M, Buzzer Continuous sound (pi--)
Flashing rate	80±10 times / minute
Ambient temperature	-15°C ~ 40°C
Storage ambient temperature	-25°C ~ 70°C
Ambient humidity	45 ~ 85% RH
Protection structure	IP20
Connection	110/220VAC: VSF/0.75mm (Power supply wire only) 12/24VAC/DC: 1007UL/220AWG

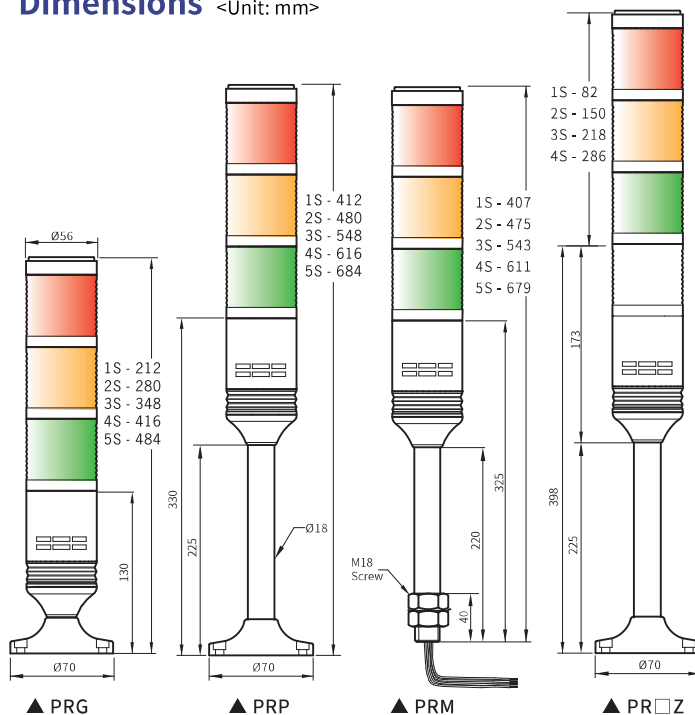
## Current Consumption

Power Supply	12VAC	24VAC	110VAC	220VAC
Current Consumption (±10%)				
1 Stack	0.8A	0.4A	0.08A	0.04A
2 Stacks	1.7A	0.8A	0.17A	0.08A
3 Stacks	2.5A	1.2A	0.25A	0.12A
4 Stacks	3.3A	1.7A	0.33A	0.17A
5 Stacks	4.2A	2.1A	0.40A	0.20A

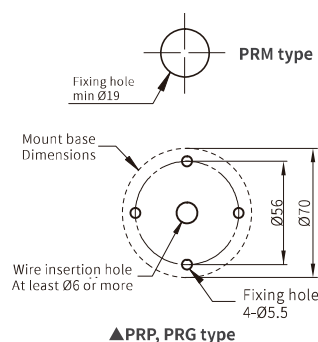
## PR series Bulb Replacement Parts

	Energy Used: 8 watts	Input Voltage	Bulb	Part no.
	Base Type: Single Contact (BA15S)	12V type	12V 8W	MAM-T15-S-012-08
	Color / Finish: Clear	24V type	24V 8W	MAB-T15-S-024-08
	Length: 45mm	110V type	130V 8W	MAB-T15-S-130-08
	Width: 16mm	220V type	240V 8W	MAB-T15-S-240-08

## Dimensions <Unit: mm>



## Mounting hole based on Mount base



## Optional Parts Wall Mounting Bracket



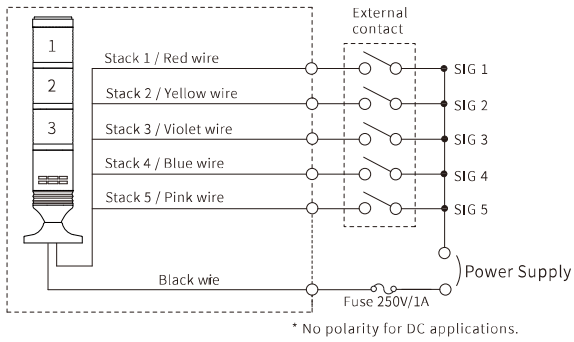
apply PRM type only  
**MAM-DS25**  
Steel

See Page 80 ~ 81 >>  
for Mounting Options  
and Accessories.

# Connection Diagram

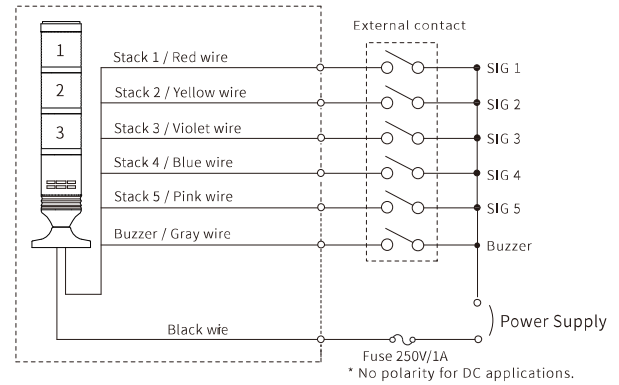
12VAC/DC, 24VAC/DC, 110VAC, 220VAC

Steady



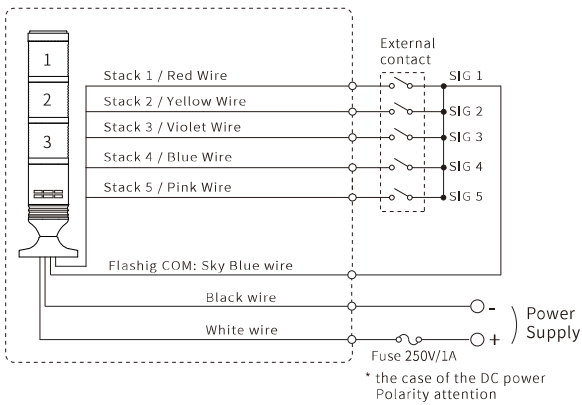
12VAC/DC, 24VAC/DC, 110VAC, 220VAC

Steady / Buzzer



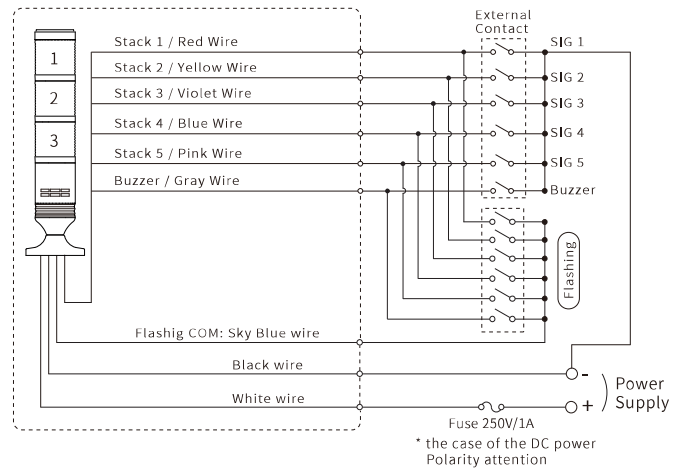
12VAC/DC, 24VAC/DC, 110VAC, 220VAC

Flashing



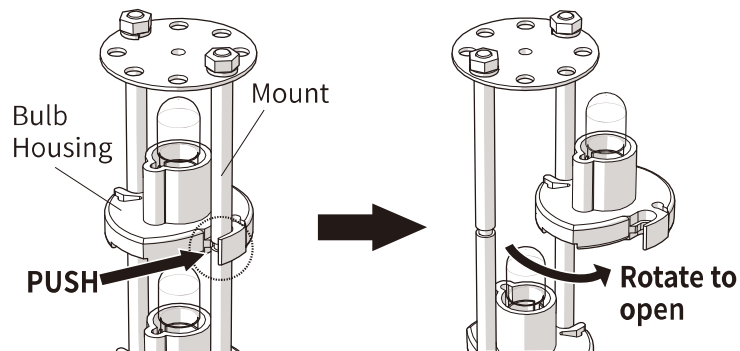
12VAC/DC, 24VAC/DC, 110VAC, 220VAC

Steady / Flashing / Buzzer



## 45mm PS Series Bulb Replacement Method

Push to open the bulb housing fixed inside the mount groove using hands or tools.  
This allows easily replacing the bulb.



**Caution**

Wear protective gloves, replace the bulb after shutting off the power.  
There is a risk of breakage of the glass.