

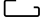


PTM Series

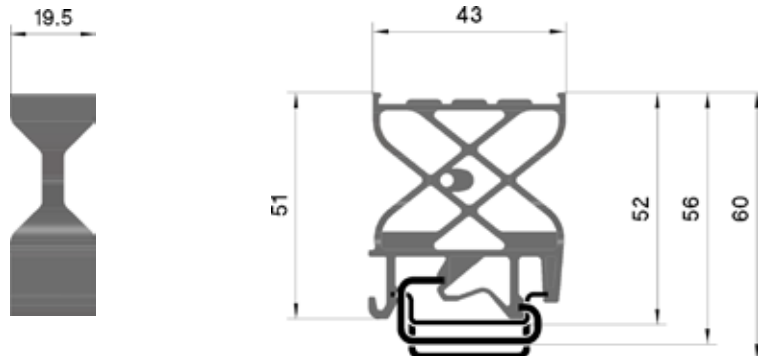
Tag holder supports

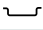
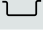
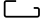
- Universal mounting for both PR/DIN and PR/3 rails which meet IEC 60715 norms, "G32" and TH/35 types
- Made of 6.6 UL94V-0 polyamide - available in grey (RAL 7042)

Support for tags 40 x 16.5 x 0.5 mm		PTM
		Cat. No. PTM
height / width / thickness	 TH/35 7.5 mm	52 / 43 / 19.5
height / width / thickness	 TH/35 15 mm	60 / 43 / 19.5
height / width / thickness	 G32	56 / 47 / 19.5



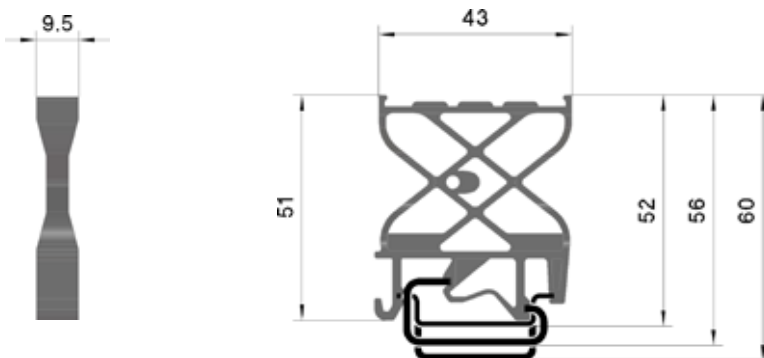
Thanks to the special stop wings, the support can be used both with the adhesive tags provided (together with the product) and with non-adhesive tags of the same size.



Support for tags 40 x 7 x 0.5 mm		PTMS
		Cat. No. PTMS
height / width / thickness	 TH/35 7.5 mm	52 / 43 / 19.5
height / width / thickness	 TH/35 15 mm	60 / 43 / 19.5
height / width / thickness	 G32	56 / 47 / 19.5



Thanks to the special stop wings, the support can be used both with the adhesive tags provided (together with the product) and with non-adhesive tags of the same size.



ACCESSORIES			
Adhesive pre-sheared tag	(40 x 16.5 x 0.5 mm)	TA1640AW	TA1640AW
Adhesive pre-sheared tag	(40 x 7 x 0.5 mm)	TA407AW	TA407AW
End bracket		BTU for PR/DIN and PR/3	BT005
		BT/DIN/PO for PR/DIN only	BT001
		BT/3-BT0 only for PR/3	BT003-BT007



The height of the tag supports corresponds to that of the CBC.2-10 terminal blocks