

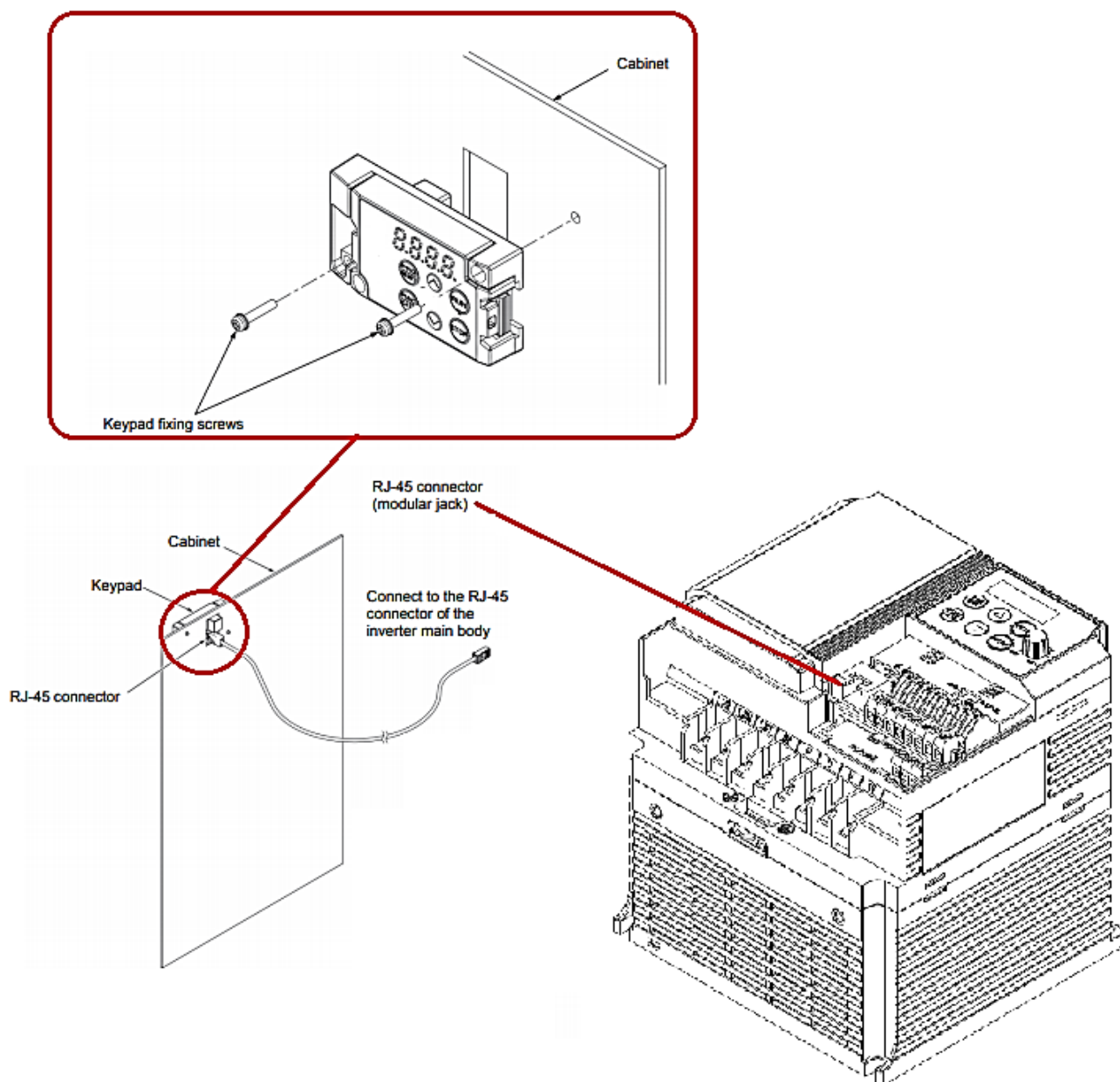
# 【 ROPS User Guide 】

## 1. ROPS Connecting method

ROPS connecting method is connected RJ45 socket between inverter and ROPS same as below picture.

User have to buy connect cable separately. (Same as Laptop communication cable)

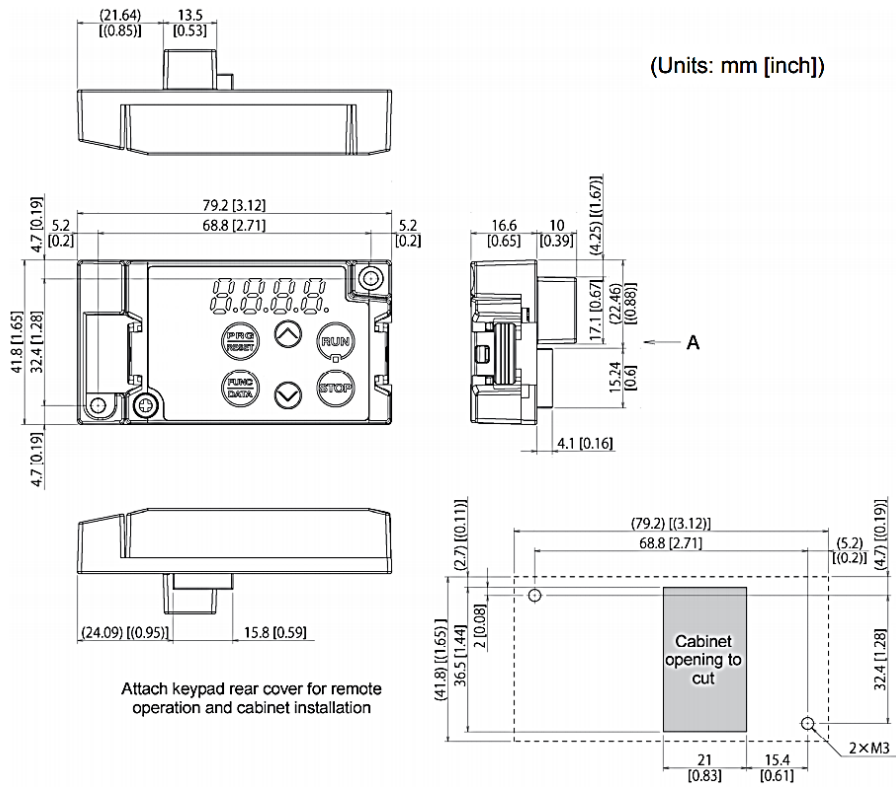
If you need to order to us, ADT order code is NOP1-1A (1m) or NOP1-3A (3m).



※ If there is no RJ45 socket in inverter, please contact to ADT.

# 【 ROPS User Guide 】

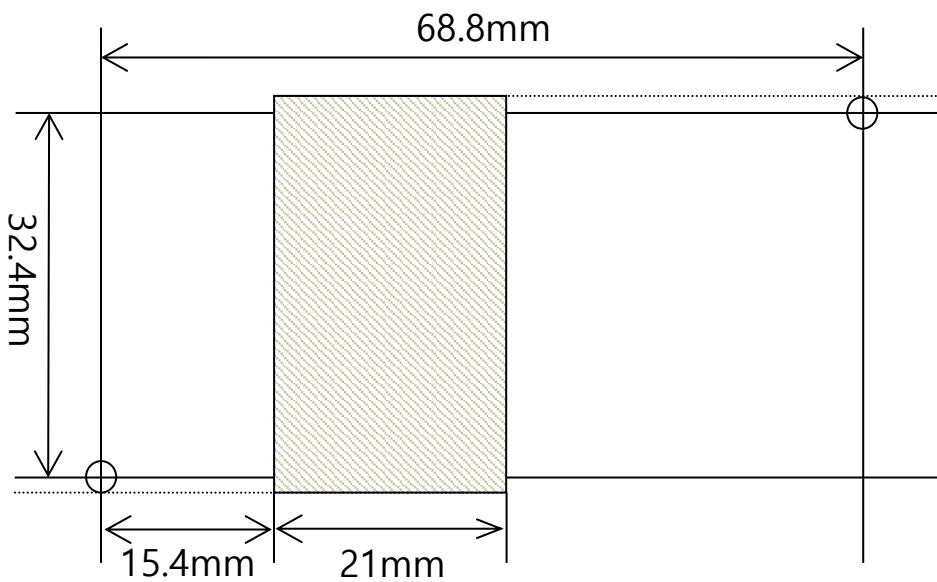
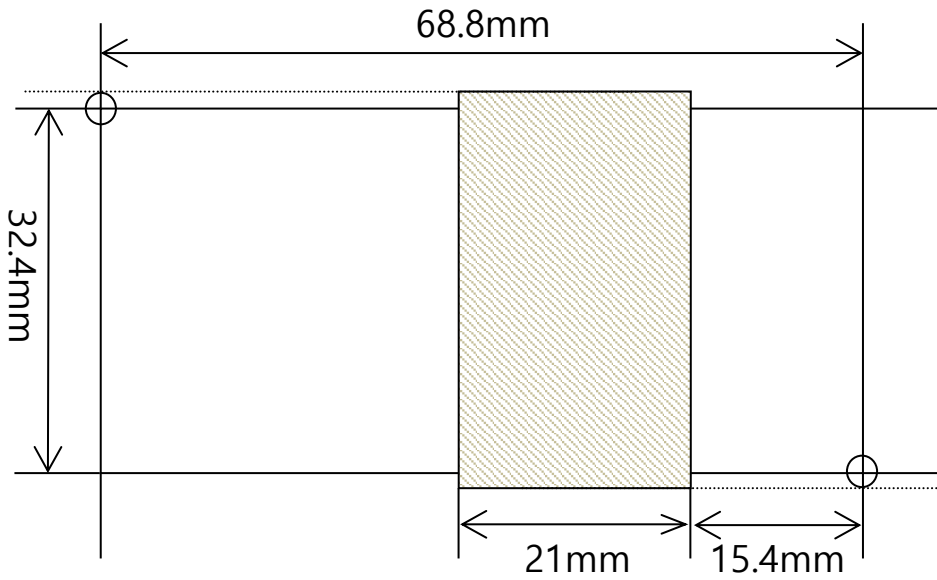
## 2. ROPS Dimension (mm)



# 【 ROPS User Guide 】

## PANEL FLOW PLAN

Colored part (Slash part) is location for ROPS.



# 【 ROPS User Guide 】

General control method of key is same as iMaster U1's operator.

Different function is Shift function.

Please refer to below explanation of Shift function.

## SHIFT FUNCTION

If User wants to change parameter setting value using ROPS, user can change the value 10 units, 100 units. Please refer to below details.



### (Step 1)

Select parameter group



### (Step 2)

Push FUNC/DATA -> Enter setting value



### (Step 3)

Push PRG/RESET more than 4 sec. -> Flicker from left segment.  
Move to location by push PRG/RESET key, and select the value using UP/DOWN key (arrow).

(If you do not any work more than 5 sec. return to initial value.)



### (Step 4)

After change the value, push FUNC/DATA key for save.  
Please check SAVE segment as the picture for all sure.