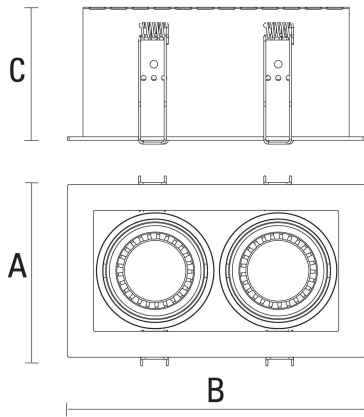
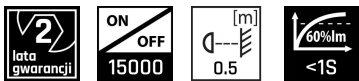


LED LUMINAIRE
MODERN DAY MINI GU10 DOUBLE



Technical data:

Code	SLIP002012
Voltage	250 V
Energy efficiency class	A++ to E
Protection class	I
Light source included	-
Working temperature range	-20/+40 °
Lifespan	17000 h
Housing material	Aluminum
Socket	GU10
Degree of protection (IP)	IP20
Colour	WHITE
Dimension (AxBxC)	112x197x115 mm
Mounting hole	180x93 mm
Weight	0.7 kg
For use	INT
Assembly	FLUSH-MOUNTED
Application	INT
Number of pieces on the packaging	24 pcs.
Made in	PRC
Other	MAX 2x10W LED; MAX 2x50W Halogen



Additional information:

*GU10. Luminaire sold without light source. Adapter GU10 included.

Related documents:

Declaration of Conformity