

Installation guide

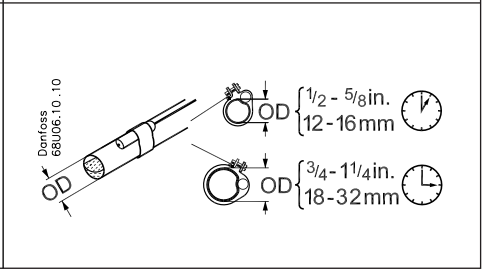
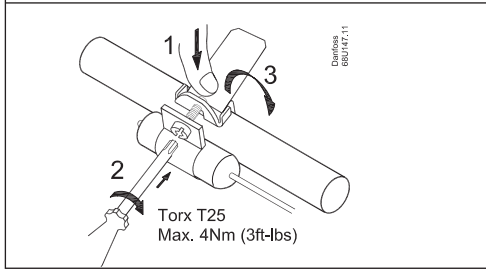
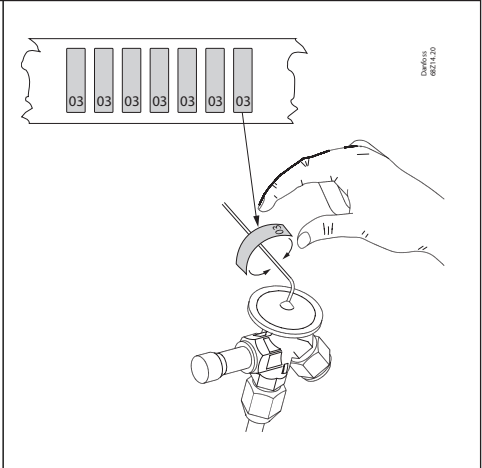
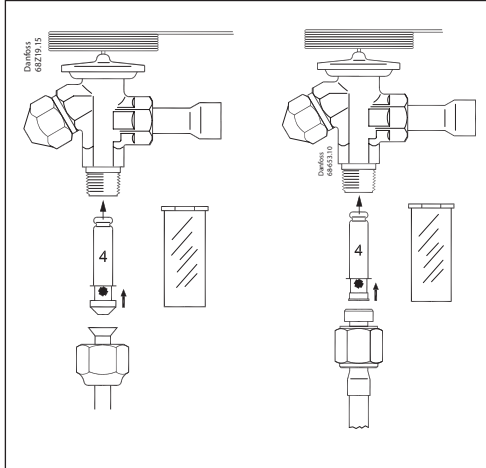
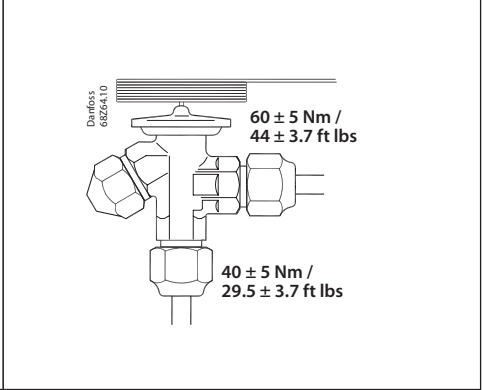
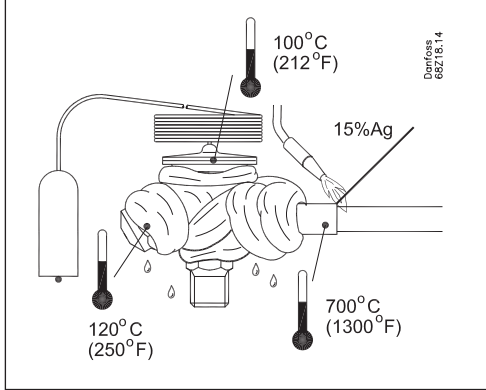
Thermostatic expansion valve

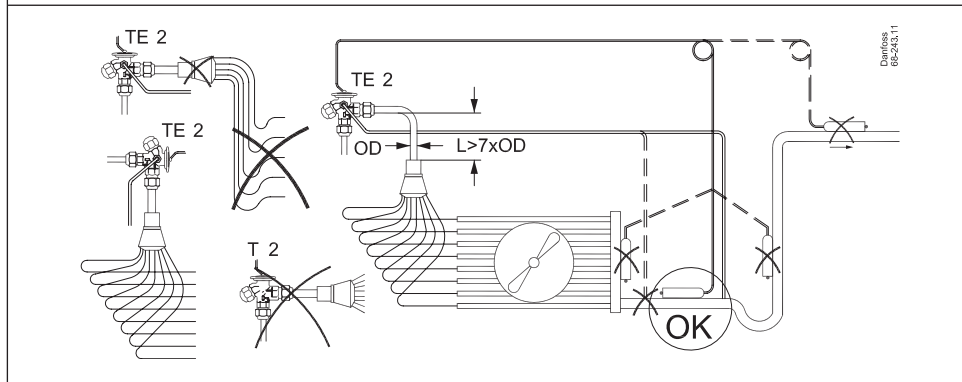
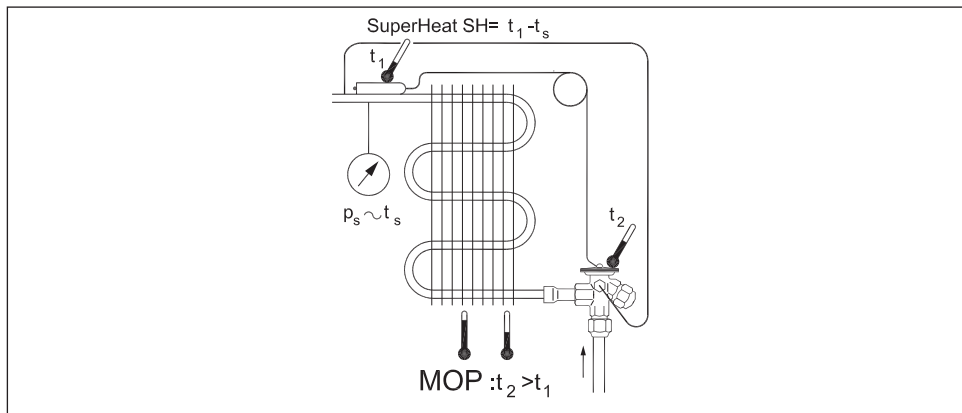
Type T 2 / TE 2

068R9536

068R9536

<p>Refrigerant: See product label</p>	<p>Max. working pressure: PS / MWP: 34 bar / 500 psig</p>	<p>Max. test pressure $P_{test} = 37.5 \text{ bar} / 544 \text{ psig}$</p>
--	--	--





SH= SuperHeat

N,B	N_{MOP}, B_{MOP} NM,NL
4°C (7°F)	4°C (7°F)

Danfoss 68Z15, 14

SH= SuperHeat

1

Stop

2

N,B	N_{MOP}, B_{MOP} NM,NL
~ 2-3 x 360°	~ 1,5 - 2 x 360°

SuperHeat SH= $t_1 - t_s$

t_1

$p_s \sim t_s$

360°

$\Delta SH / 360^\circ$

N, N_{MOP} NM, NL	~ 4°C (7°F)
B, B_{MOP}	~ 8°C (14°F)

Temperature ranges:

N = -40 - 10 °C / -40 - 60 °F

NM = -40 - 5 °C / -40 - 25 °F

NL = -40 - 15 °C / -40 - 5 °F

B = -60 - 25 °C / -75 - 15 °F

Danfoss 68Z20, 14