







FEATURES

- Adjustable wall extension from 108 to 305 mm
- Increased flexibility of 2 axis of rotation
- 360° rotation for portrait or horizontal screen option
- Easy and simple installation in just 2 steps

TECHNICAL



min. 75x75 mm
 max. 100x100 mm

19"-27"

10 kg

min. 108 mm
 max. 305 mm

min. 75x75 mm
 max. 100x100 mm

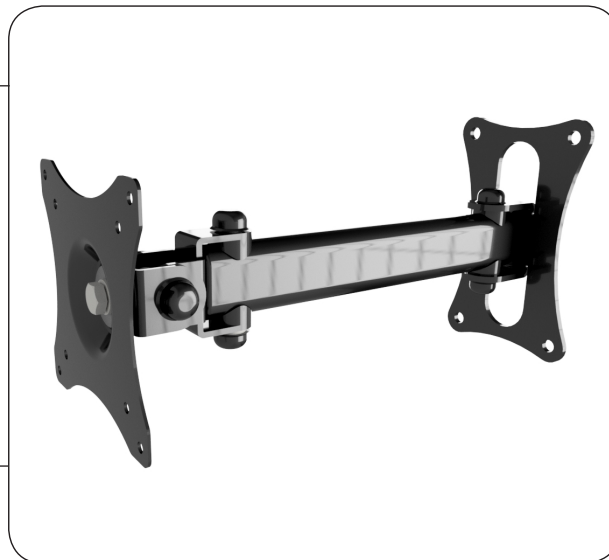




270°

100°

360°



WALL MONITOR MOUNTS

PRODUCT SPECIFICATION

Dimensions	Weight	Max capacity	Colour	Packaging dimensions	EAN
305x159x125 mm	1.5 kg	10 kg	black grey	330x170x100 mm	5908252962556 5908252961443

TECHNICAL DRAWINGS

