

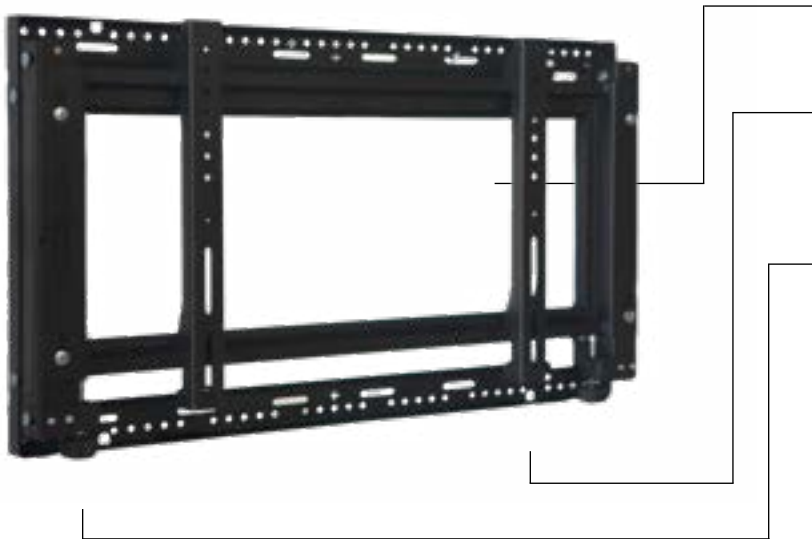


## VWFX65-P

The VWFX Series is purpose designed for easy and fast installation in video wall installations and for forward tilting walls and menu board applications up to 45°. The VWFX65-L is designed for modular use with models VWPOP and VWFS or alternatively where full service access is not required. Tool-less micro-adjustment is included for seamless alignment of the displays and precision dedicated spacers eliminate requirement for on-site calculations and measurements.

### FEATURES

- Designed for use in forward tilting walls and menu board applications up to 45°.
- Sequentially drilled wall plate and precision dedicated display spacers eliminate requirement for on-site calculations.
- Tool-less independent 8-point micro-adjustment provides seamless alignment of the displays.
- Adjustable VESA mounting patterns from 100x100 up to 600x400
- Modular mount for unlimited video wall display configurations, can be used with models VWPOP and VWFS.



tool-less micro-adjustment



security padlock



dedicated spacers



### FEATURES



100x100  
600x400  
mm



42"-85"



60 kg



77 mm



0-28°

### ACCESSORIES

SPACERS



### PRODUCT SPECIFICATION

Product	Screen size	Max. capacity	Max. VESA	Weight	Dimensions (HxWxD)
VWFX65-P	42"-85"	60 kg	400x300 mm	9,5 kg	500x514x80 mm



# TECHNICAL DRAWINGS

