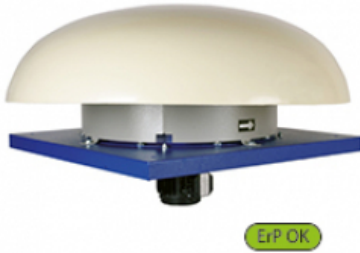


HTE 40 M4 0,18kW

GENERAL DATA

AXIAL WITH FIBERGLASS COWL



MANUFACTURING FEATURES

- Roof cowl made of reinforced fiberglass.
- Roof base support and bird protection guard with polyester powder finishing coat.
- Assembled on HJBM fans.
- Variable pitch angle (stopped and in origin) polyamide impeller reinforced with fibreglass.
- Squirrel cage asynchronous standard motor, IP-55 protection and rated class F insulation. Standard voltages 230V 50Hz for single phase motors, 230/400V 50Hz and for three phase motors.

APPLICATIONS:

Specially designed for roof installation, they are suitable for:

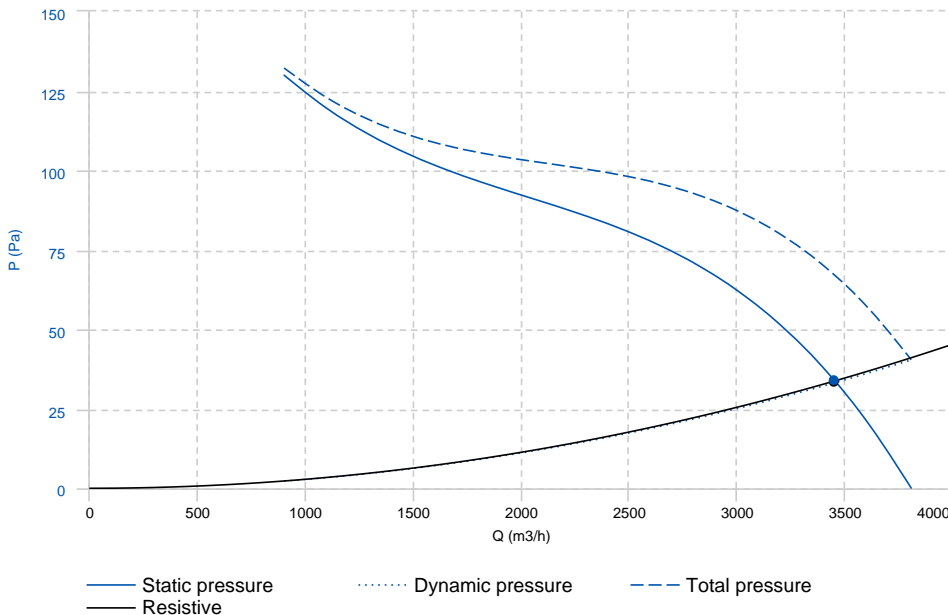
- Air renewal in buildings and industries.
- Smoke extraction.
- Maximum working temperature: single phase 50°C, three phase 60°C.

AVAILABLE ON REQUEST

- B Form impeller (air flow from impeller to motor).
- Special voltages
- 100% reversible impeller.
- Aluminium impeller.

PERFORMANCE CURVE

20°C 0m 1.2 Kg/m³



Design point	
Flow (m3/h)	3445.93
Pressure (Pa)	33.68
Service point	
T.max (°C)	50
Q (m3/h)	3451.01
Ps (Pa)	33.78
Pd (Pa)	33.21
Pt (Pa)	66.99
Speed (m/s)	7.44

TECHNICAL DATA

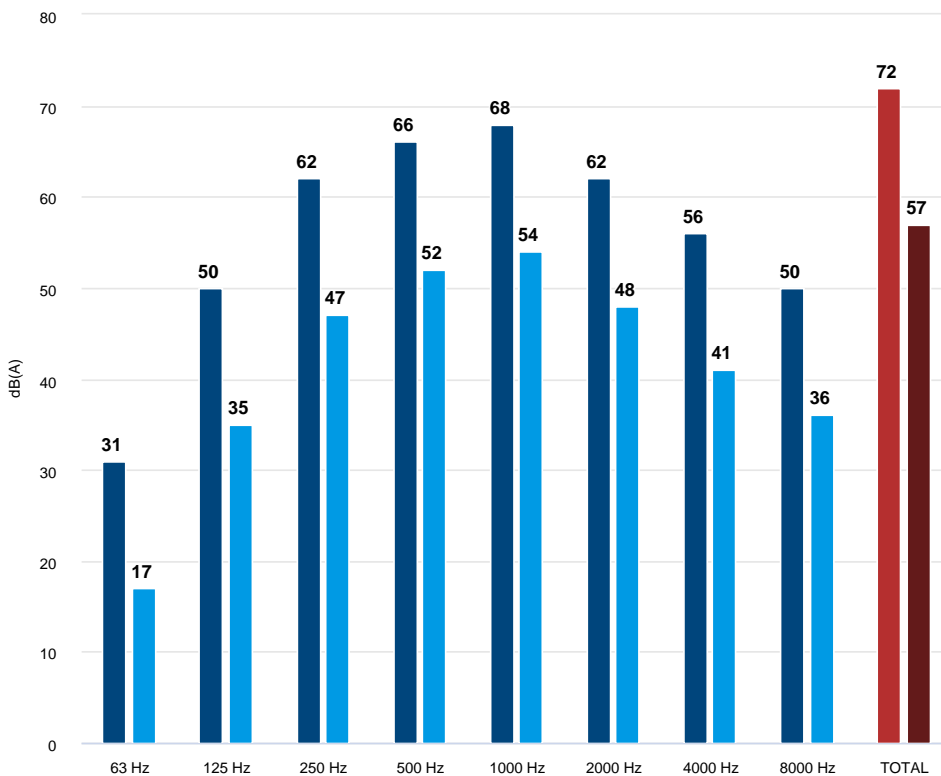
Fan

RPM	1400	Approx. weight	21 kg	Max. Flow	3810 m3/h
-----	------	----------------	-------	-----------	-----------

Motor

Power	0,18 kW	RPM	1400	Capacitor	8μF 450V	I max. (230V)	1,55 A
Size	63	Approx. weight	4.5 kg	Efficiency (%)	59 %	FP	0.92

ACOUSTIC DATA



Sound power

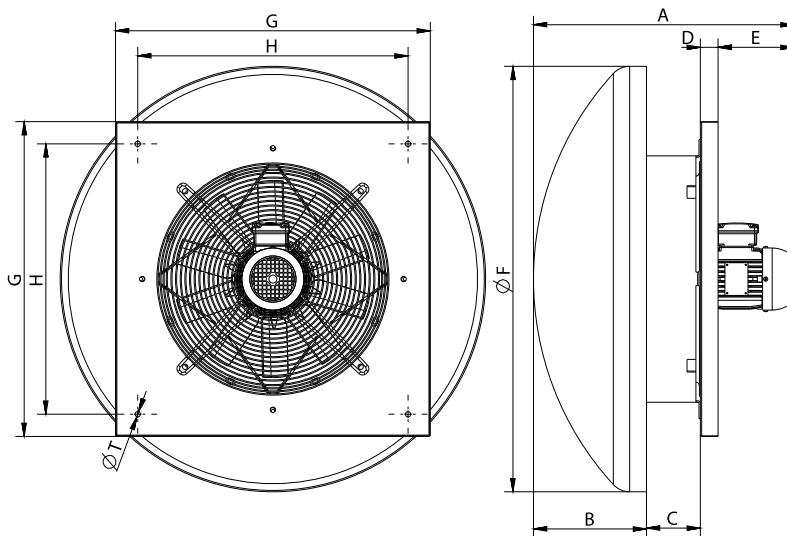
63 Hz	31
125 Hz	50
250 Hz	62
500 Hz	66
1000 Hz	68
2000 Hz	62
4000 Hz	56
8000 Hz	50
TOTAL	72

Sound pressure 1.5m (in)

63 Hz	17
125 Hz	35
250 Hz	47
500 Hz	52
1000 Hz	54
2000 Hz	48
4000 Hz	41
8000 Hz	36
TOTAL	57



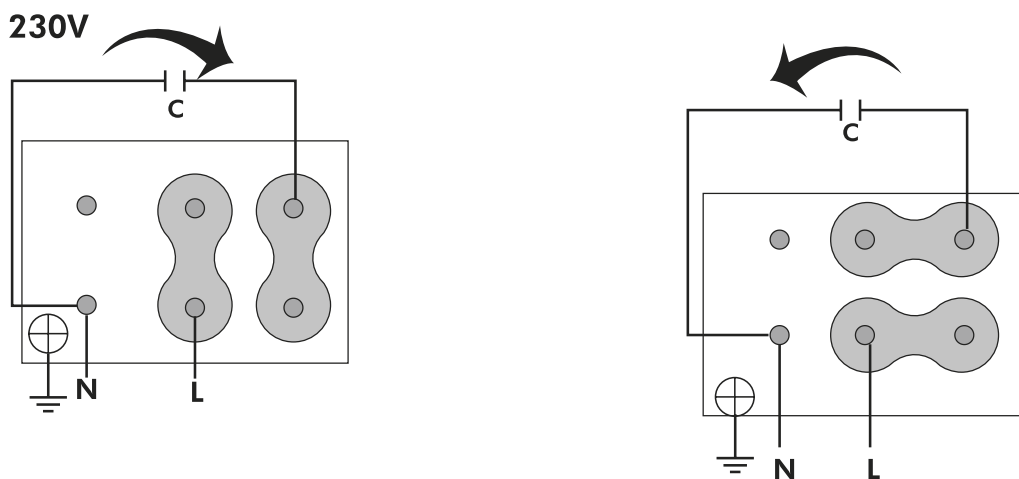
DIMENSIONS



Dimensions (mm)

A	530	B	230	C	115	D	40	E	146
FØ	755	G	630	H	535	TØ	12		

WIRING DIAGRAM



ACCESSORIES



SAFETY SWITCH
INT 25 3P A
REF: INT253PA



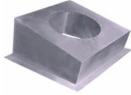
CONNECTION FLANGE
AC 400
REF: 960003212



ANTI-VIBRATION JOINT
JE 45
REF: 300719201



CIRCULAR-CIRCULAR ANTI-VIBRATION FLANGE
BAD 11
REF: 960003461



INCLINED ROOF FAN SUPPORT
BTI 580

SPARE PARTS

	Code	Model	RPM	Degrees
1	269144471	1 x ROOF COWL HTE-HMTE 35-40	-	-
2	269401772	1 x BASE HMTE-HTE 40	-	-
3	H40006140PSTD	1 x IMPELLER 400:AP0:6 G40 D11	-	-