

MB 18/7 M2 0,75kW

GENERAL DATA



MEDIUM PRESSURE CENTRIFUGAL FAN WITH FORWARD IMPELLER

MANUFACTURING FEATURES:

- Rolling steel sheet housing.
 - Completely joined or welded housing.
 - Galvanised steel sheet simple inlet forward curved impeller.
 - Polyester powder finishing coat.
 - Standard asynchronous squirrel-cage motor with IP-55 protection and Class F insulation.
- Manufactured with standard voltages: 230V 50Hz in single phase motors and 230/400V 50Hz in three phase motors.
- Standard position: LG 270.

APPLICATIONS:

Designed for inline installation, they are suitable for:

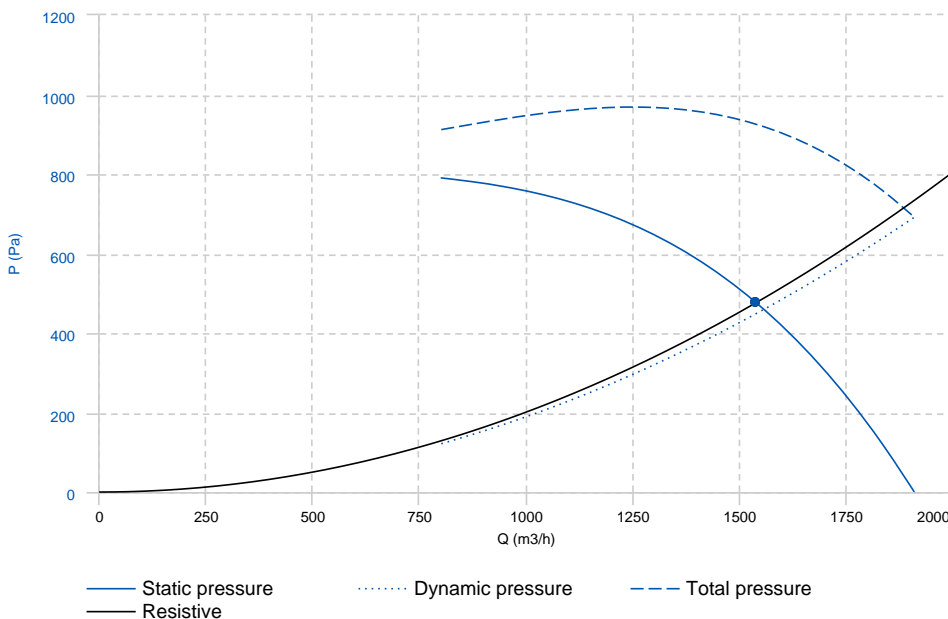
- Industrial applications, extraction or injection of air.
- Cooling of machines and parts.
- Clean air transport.
- Maximum working temperature: carried air: 130°C, environment single phase 50°C, three phase 60°C.

UNDER REQUEST:

- Special voltages.
- 2 speed motors.
- Fan for air working temperatures up to 250°C.
- Fans provided with cooling disk for high temperature.
- Option with support for models where it is not included, and without support for models where it is included.
- Position: LG 0, LG 45, LG 90, LG 135, LG 180, LG 225, LG 315, RD 0, RD 45, RD 90, RD 135, RD 180, RD 225, RD 270, RD 315.

PERFORMANCE CURVE

20°C 0m 1.2 Kg/m³



Design point	
Flow (m3/h)	1538.6
Pressure (Pa)	476.99
Service point	
T.max (°C)	130
Q (m3/h)	1537.9
Ps (Pa)	476.56
Pd (Pa)	448.97
Pt (Pa)	925.53
Speed (m/s)	27.36
Pabs (kW)	0.92

TECHNICAL DATA

Fan

RPM	2800	Approx. weight	15 kg	Max. Flow	1940 m3/h
-----	------	----------------	-------	-----------	-----------

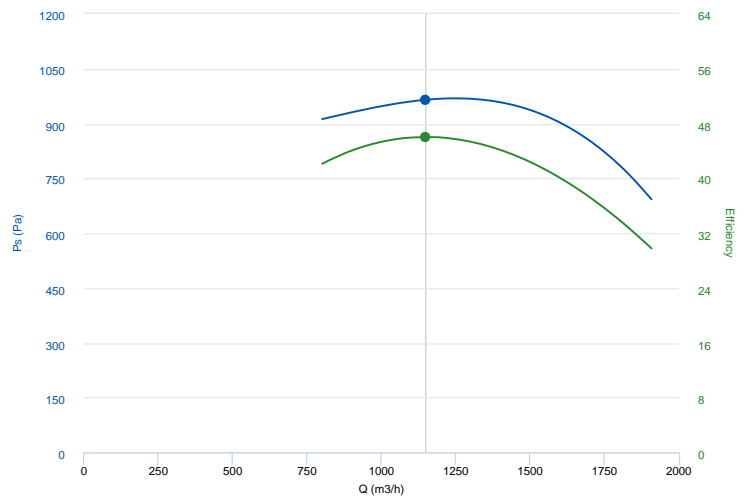
Motor

Power	0,75 kW	RPM	2800	I max. (230V)	4,93 A	Size	80
Approx. weight	9.3 kg	Efficiency (%)	72 %	FP	0.920000017		

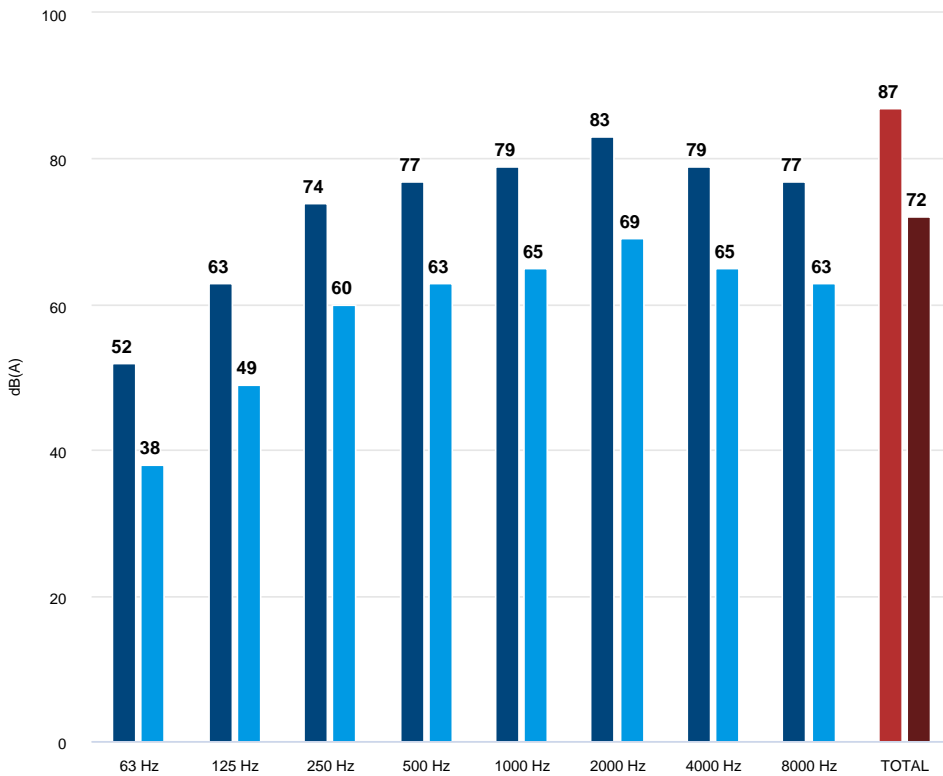
ERP DATA

Fan data sheet

Fan type	Centrifugal fan radial or forward blades	
Installation category	B: Inlet free, Ducted outlet	
Efficiency category	Total	
The fan has to be installed with VF	No	
Motor power (kW)	0.75	
	Fan values	ERP Requirements 2015
Max. efficiency (%)	46.02	41.6
Efficiency grade (N)	53.42	49
Pabs (kW)	0.677	
reports.flow (m3/h)	1149.26	
Total pressure (Pa)	965.26	
Speed (m/s)	2800	
Specific ratio	1.00	



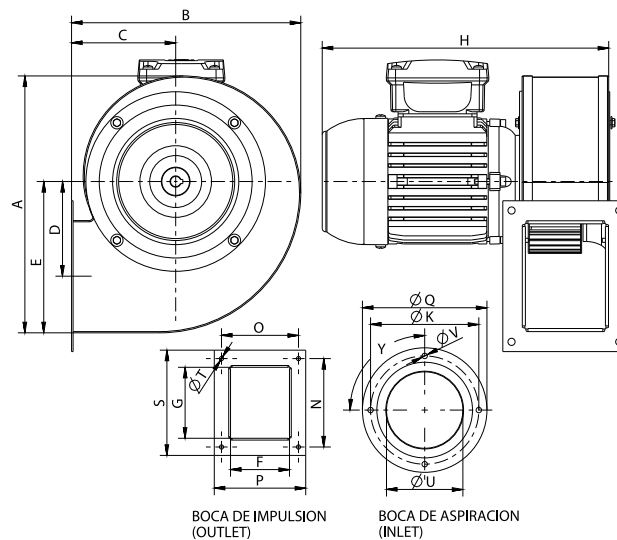
ACOUSTIC DATA



Sound power	
63 Hz	52
125 Hz	63
250 Hz	74
500 Hz	77
1000 Hz	79
2000 Hz	83
4000 Hz	79
8000 Hz	77
TOTAL	87

Sound pressure 1.5m (in)	
63 Hz	38
125 Hz	49
250 Hz	60
500 Hz	63
1000 Hz	65
2000 Hz	69
4000 Hz	65
8000 Hz	63
TOTAL	72

DIMENSIONS

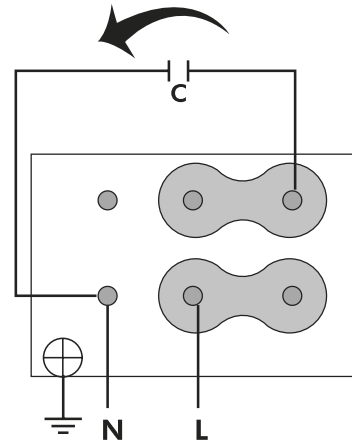
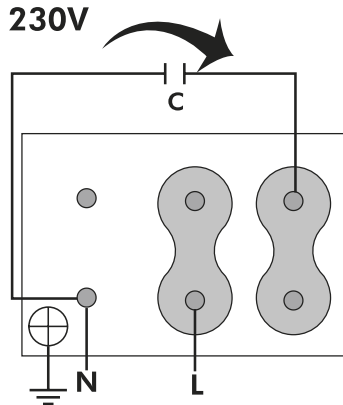


Dimensions (mm)

A	350	B	305	C	130	D	133	E	205
F	115	G	140	H	358	K	214	N	169
O	146	P	169	Q	237	S	192	TØ	8
UØ	143	VØ	9	Y	4x90°				



WIRING DIAGRAM



ACCESSORIES



SAFETY SWITCH
INT 25 3P A
REF: INT253PA



INLET PROTECTION GUARD FOR CENTRIFUGAL FANS
RA 18/7
REF: 253171901



CIRCULAR OUTLET CONNECTION FLANGE
EI 18/7
REF: 962180111



ANTI-VIBRATING FLANGE 400°/2H
BA-400 20
REF: 960002066



ANTI-VIBRATION JOINT
JE 45
REF: 300719201



CONNECTION FLANGE
AC 175
REF: 960003205



OUTLET PROTECTION GUARD
RBS 18/7
REF: 960000355



CIRCULAR-CIRCULAR ANTI-VIBRATION FLANGE
BAD 5
REF: 960003455



ANTI-VIBRATION RUBBER BLOCK
AVR (GENERIC)



ANTI-VIBRATION SPRING BLOCK
AVS (GENERIC)



SPARE PARTS

	Code	Model	RPM	Degrees	
1	253179381	1 x TURBINE GALV.180X74X19 LG	-	-	
2	253171681	1 x INLET CONE MB18/7	-	-	
3	720301135	1 x MOTOR 0,75kW M2 B14 230V IEC80	-	-	
4	253179421	1 x CASING MB 18/7	-	-	