

# MBPCX 20 T4 0,12kW

## GENERAL DATA



PLASTIC ATEX FAN WITH FORWARD IMPELLER

### MANUFACTURING FEATURES

- Antistatic PE-el housing.
- Forward curved impeller in PP plastic.
- Motor support made of rolled steel sheet with polyester powder finishing coat.
- Stainless steel nuts and bolts.
- Standard asynchronous squirrel-cage motor, IP-55, class F insulation. Standard voltages 230/400V 50Hz. Equipped with IIG Eex-d motors
- Standard orientation: LG270.

### APPLICATIONS

Designed for inline installation, they are suitable for:

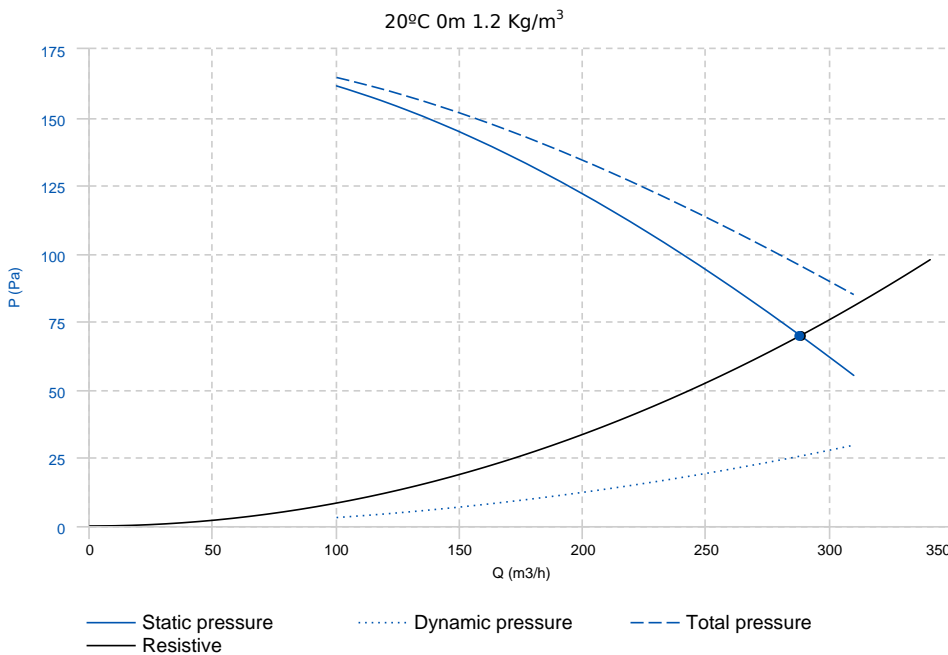
- Corrosive air transport.
- Chemical and petrochemical industry.
- Laboratories and gas cabinets.
- General ventilation in closed environments classified as ATEX zone 2.
- Maximum temperature of transported air: If it is clean air 70°C, other depends on the gas (see table in documentation)

### UNDER REQUEST

- 60Hz fans and special voltages fans.
- Stainless steel motor support.
- Orientación: RD0, RD45, RD90, RD135, RD180, RD225, RD270, RD315, LG0, LG45, LG90, LG135, LG180. LG225, LG315.

In compliance with the ATEX Directive 2014/34/UE. Certified ATEX IIG o IIGD with certified ATEX motor for areas 2 (gas) or 22 (dust)

## PERFORMANCE CURVE



Design point	
Flow (m3/h)	288.27
Pressure (Pa)	70
Service point	
T.max (°C)	50
Q (m3/h)	288.01
Ps (Pa)	69.87
Pd (Pa)	25.66
Pt (Pa)	95.54
Speed (m/s)	6.54
Security coefficient	7.98
Fan total efficiency	50.812
Efficiency (%)	51
Pabs (kW)	0.02
Pwmech (kW)	0.02

## TECHNICAL DATA

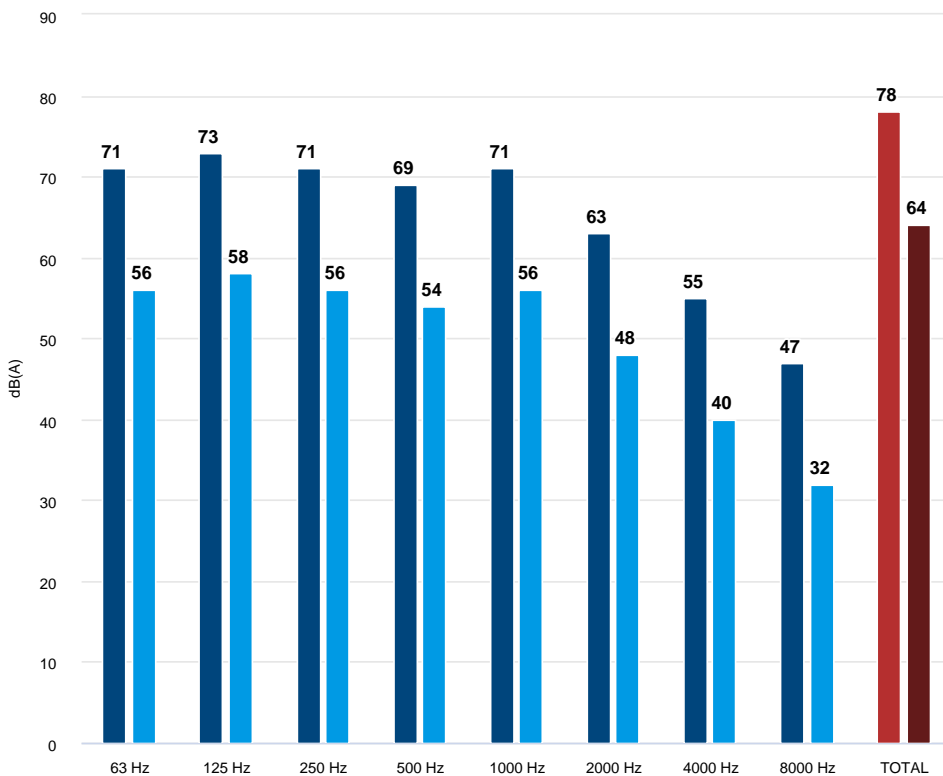
### Fan

RPM	1370	Approx. weight	17 kg	Max. Flow	310 m3/h
-----	------	----------------	-------	-----------	----------

### Motor

Power	0,12 kW	RPM	1420	I max. (400V)	0,71 A	Size	63
Approx. weight	4 kg	Efficiency (%)	56 %	FP	0.7		

## ACOUSTIC DATA



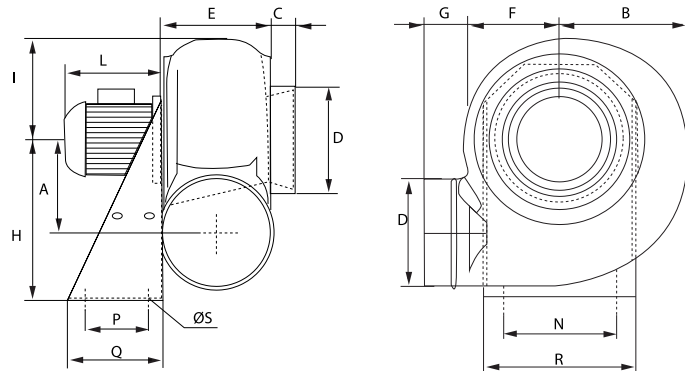
### Sound power

63 Hz	71
125 Hz	73
250 Hz	71
500 Hz	69
1000 Hz	71
2000 Hz	63
4000 Hz	55
8000 Hz	47
TOTAL	78

### Sound pressure 1.5m (in)

63 Hz	56
125 Hz	58
250 Hz	56
500 Hz	54
1000 Hz	56
2000 Hz	48
4000 Hz	40
8000 Hz	32
TOTAL	64

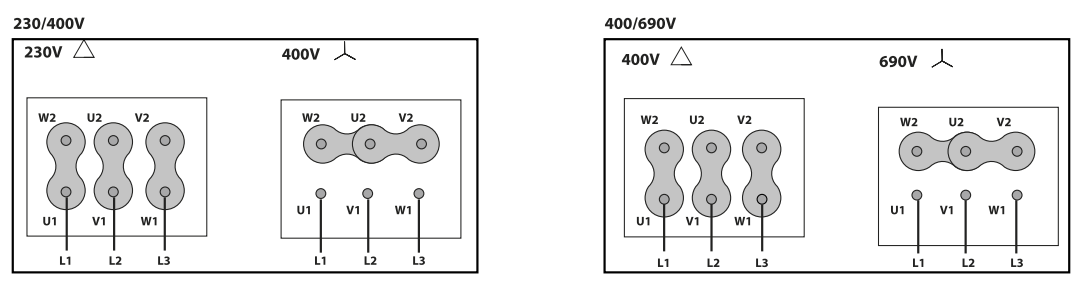
## DIMENSIONS



**Dimensions (mm)**

<b>A</b>	142	<b>B</b>	187	<b>C</b>	40	<b>DØ</b>	125	<b>E</b>	120
<b>F</b>	150	<b>G</b>	60	<b>H</b>	250	<b>I</b>	165	<b>L</b>	190
<b>N</b>	200	<b>P</b>	100	<b>Q</b>	140	<b>R</b>	235	<b>ØS</b>	11

## WIRING DIAGRAM



## ACCESSORIES



**ANTI-VIBRATING FLANGE 400°/2H**  
**BA-400 10/12**  
 REF: 960002068



**ANTI-VIBRATION JOINT**  
**JE 45**  
 REF: 300719201



**ATEX SWITCH**  
**INT 16 ATEX**  
 REF: 510200016X



**PVC FLEXIBLE JOINT**  
**FJ Ø125**  
 REF: FJ-125



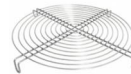
**DIFUSOR GRID**  
**DG Ø125**  
 REF: DG125



**CIRCULAR GRAVITY DAMPER**  
**CSC Ø125**  
 REF: CSC125



**DRAIN PLUG**  
**PD 1**  
 REF: PD1



**STAINLESS STEEL PROTECTION GRID**  
**RPI Ø125**  
 REF: RPI125



**WALL SUPPORT**  
**WS 1**  
 REF: WS1



**ANTI-VIBRATION BLOCK**  
**AV 1**  
 REF: AV-1



**FREQUENCY SPEED CONTROLLER**  
**SFC 230 I 2,5A \***  
 REF: SFC230I003



**FREQUENCY SPEED CONTROLLER**  
**SFC 400 III 1,2A \***  
 REF: SFC400III1

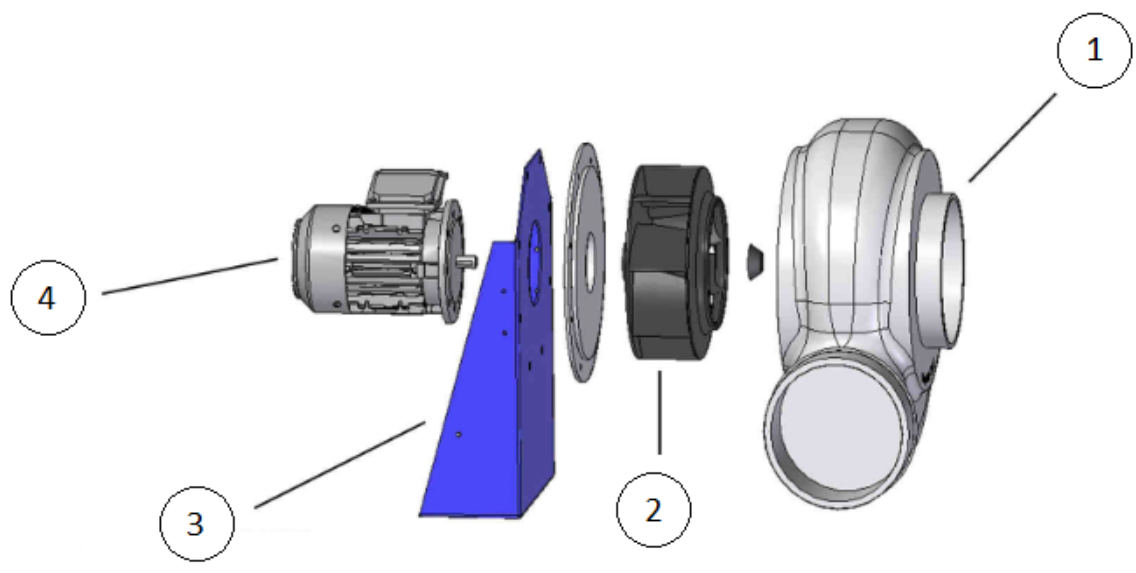


**ANTI-VIBRATION RUBBER BLOCK**  
**AVR (GENERIC)**



**ANTI-VIBRATION SPRING BLOCK**  
**AVS (GENERIC)**

**SPARE PARTS**



	Code	Model	RPM	Degrees
1	T03102039	1 x TURBINE MBPCX 20 T4 0,12 kW LG	-	-