

MBPCX 40 T4 0,75kW

GENERAL DATA



PLASTIC ATEX FAN WITH FORWARD IMPELLER

MANUFACTURING FEATURES

- Antistatic PE-el housing.
- Forward curved impeller in PP plastic.
- Motor support made of rolled steel sheet with polyester powder finishing coat.
- Stainless steel nuts and bolts.
- Standard asynchronous squirrel-cage motor, IP-55, class F insulation. Standard voltages 230/400V 50Hz. Equipped with IIG Eex-d motors
- Standard orientation: LG270.

APPLICATIONS

Designed for inline installation, they are suitable for:

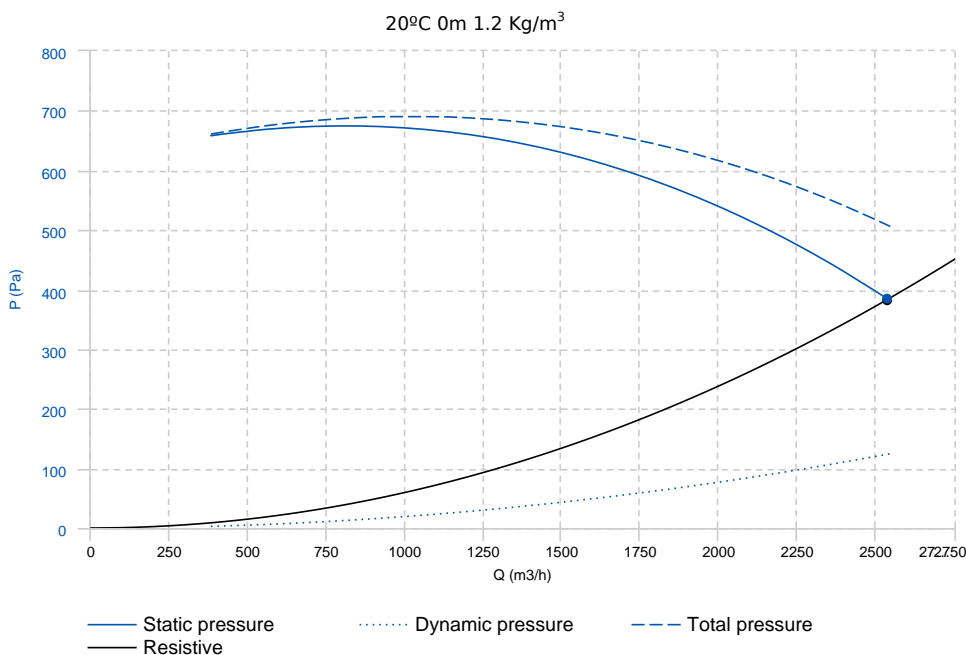
- Corrosive air transport.
- Chemical and petrochemical industry.
- Laboratories and gas cabinets.
- General ventilation in closed environments classified as ATEX zone 2.
- Maximum temperature of transported air: If it is clean air 70°C, other depends on the gas (see table in documentation)

UNDER REQUEST

- 60Hz fans and special voltages fans.
- Stainless steel motor support.
- Orientación: RD0, RD45, RD90, RD135, RD180, RD225, RD270, RD315, LG0, LG45, LG90, LG135, LG180. LG225, LG315.

In compliance with the ATEX Directive 2014/34/UE. Certified ATEX IIG o IIGD with certified ATEX motor for areas 2 (gas) or 22 (dust)

PERFORMANCE CURVE



Design point	
Flow (m3/h)	2536.15
Pressure (Pa)	383.26
Service point	
T.max (°C)	50
Q (m3/h)	2538.46
Ps (Pa)	383.96
Pd (Pa)	123.93
Pt (Pa)	507.88
Speed (m/s)	14.37
Fan total efficiency	57.162
Pabs (kW)	0.63

TECHNICAL DATA

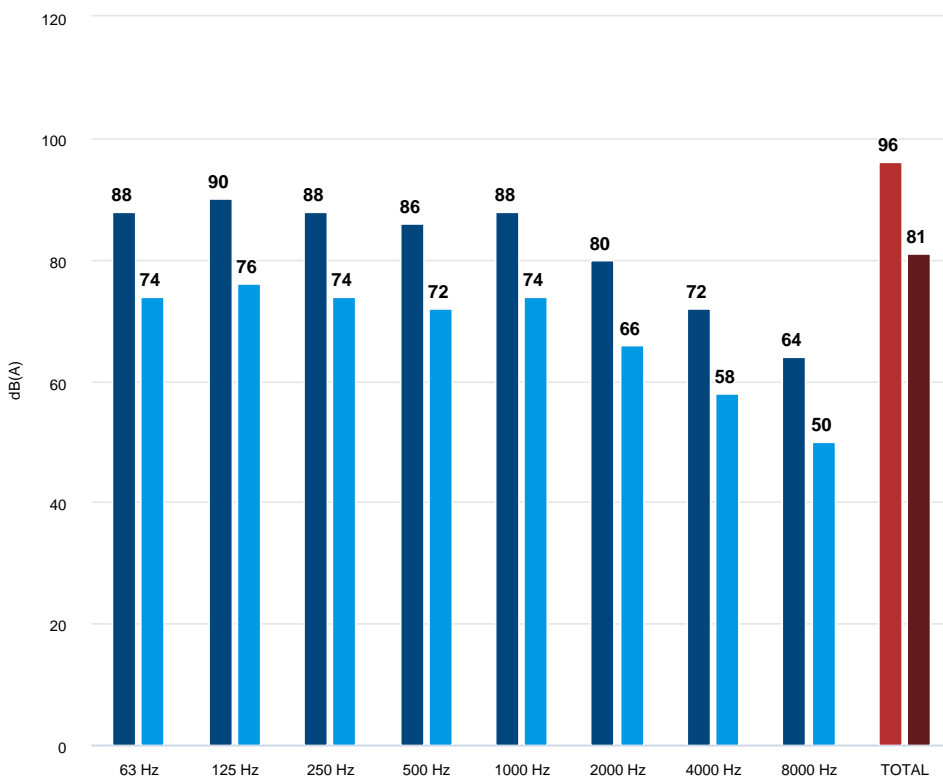
Fan

RPM	1410	Approx. weight	47 kg	Max. Flow	2550 m3/h
-----	------	----------------	-------	-----------	-----------

Motor

Power	0,75 kW	RPM	1410	I max. (400V)	2,1 A	Size	80
Approx. weight	11 kg	Efficiency (%)	68 %	FP	0.75		

ACOUSTIC DATA



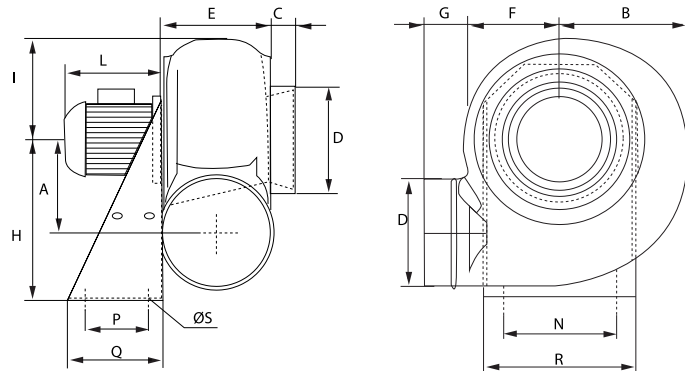
Sound power

63 Hz	88
125 Hz	90
250 Hz	88
500 Hz	86
1000 Hz	88
2000 Hz	80
4000 Hz	72
8000 Hz	64
TOTAL	96

Sound pressure 1.5m (in)

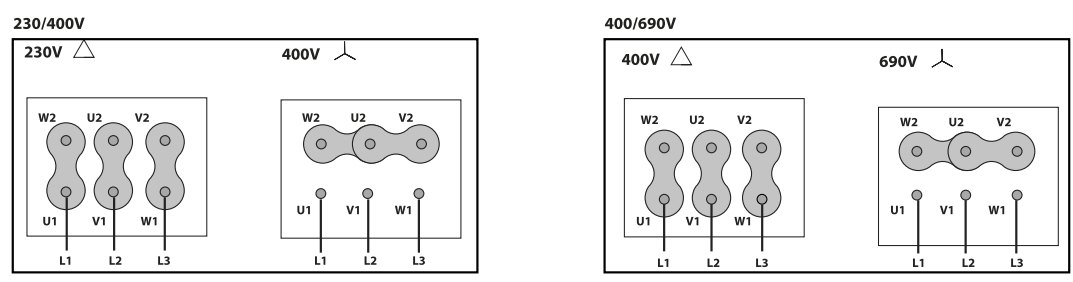
63 Hz	74
125 Hz	76
250 Hz	74
500 Hz	72
1000 Hz	74
2000 Hz	66
4000 Hz	58
8000 Hz	50
TOTAL	81

DIMENSIONS



Dimensions (mm)									
A	290	B	380	C	40	DØ	250	E	194
F	265	G	80	H	495	I	330	L	240
N	330	P	170	Q	250	R	365	ØS	11

WIRING DIAGRAM



ACCESSORIES



ANTI-VIBRATING FLANGE 400^º/2H
BA-400 25
REF: 960002051



ANTI-VIBRATION JOINT
JE 45
REF: 300719201



ATEX SWITCH
INT 16 ATEX
REF: 510200016X



PVC FLEXIBLE JOINT
FJ Ø250
REF: FJ-250



DIFUSOR GRID
DG Ø250
REF: DG250



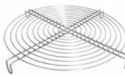
CIRCULAR GRAVITY DAMPER
CSC Ø250
REF: CSC250



ADJUSTABLE DAMPER
AD Ø250
REF: AD-250



DRAIN PLUG
PD 1
REF: PD1



STAINLESS STEEL PROTECTION GRID
RPI Ø250
REF: RPI250



WALL SUPPORT
WS 1
REF: WS1



ANTI-VIBRATION BLOCK
AV 2
REF: AV-2



FREQUENCY SPEED CONTROLLER
SFC 230 I 4,2A *
REF: SFC230I004



FREQUENCY SPEED CONTROLLER
SFC 400 III 2,2A *
REF: SFC400III2

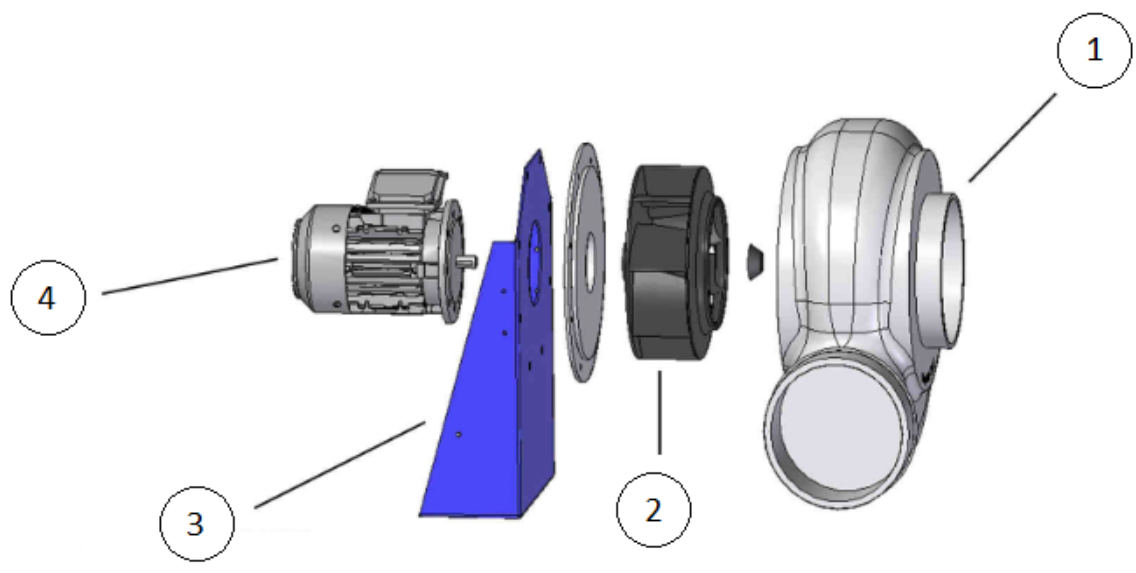


ANTI-VIBRATION RUBBER BLOCK
AVR (GENERIC)



ANTI-VIBRATION SPRING BLOCK
AVS (GENERIC)

SPARE PARTS



	Code	Model	RPM	Degrees
1	T03104044	1 x TURBINE MBPCX 40 T4 0,75 kW LG	-	-