

# MBPCX 40 T6 0,25kW

## GENERAL DATA



PLASTIC ATEX FAN WITH FORWARD IMPELLER

### MANUFACTURING FEATURES

- Antistatic PE-el housing.
- Forward curved impeller in PP plastic.
- Motor support made of rolled steel sheet with polyester powder finishing coat.
- Stainless steel nuts and bolts.
- Standard asynchronous squirrel-cage motor, IP-55, class F insulation. Standard voltages 230/400V 50Hz. Equipped with IIG Eex-d motors
- Standard orientation: LG270.

### APPLICATIONS

Designed for inline installation, they are suitable for:

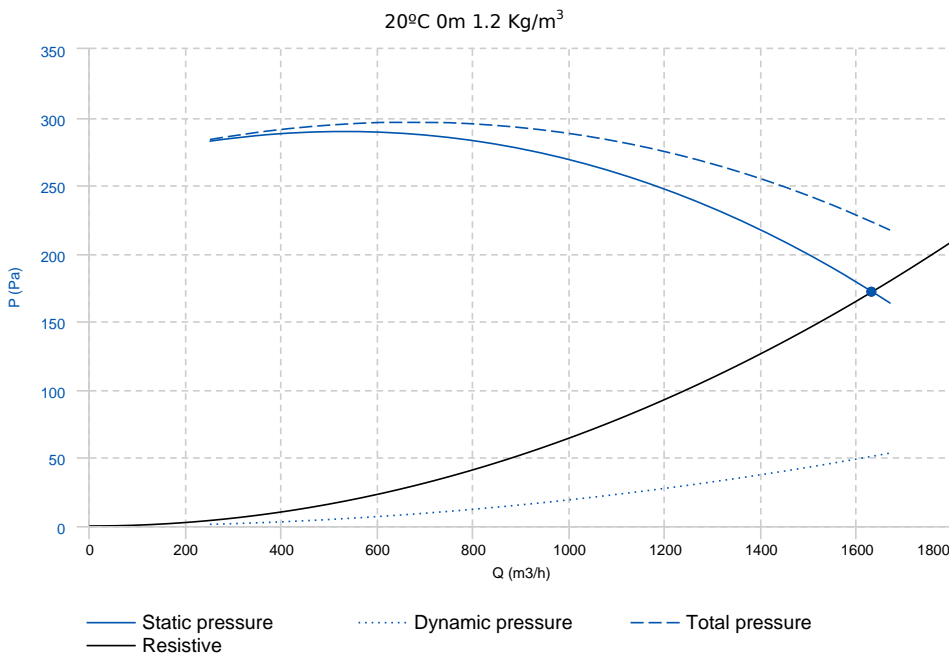
- Corrosive air transport.
- Chemical and petrochemical industry.
- Laboratories and gas cabinets.
- General ventilation in closed environments classified as ATEX zone 2.
- Maximum temperature of transported air: If it is clean air 70°C, other depends on the gas (see table in documentation)

### UNDER REQUEST

- 60Hz fans and special voltages fans.
- Stainless steel motor support.
- Orientación: RD0, RD45, RD90, RD135, RD180, RD225, RD270, RD315, LG0, LG45, LG90, LG135, LG180. LG225, LG315.

In compliance with the ATEX Directive 2014/34/UE. Certified ATEX IIG o IIGD with certified ATEX motor for areas 2 (gas) or 22 (dust)

## PERFORMANCE CURVE



Design point	
Flow (m3/h)	1631.59
Pressure (Pa)	172.07
Service point	
T.max (°C)	50
Q (m3/h)	1631.09
Ps (Pa)	171.97
Pd (Pa)	51.17
Pt (Pa)	223.13
Speed (m/s)	9.24
Fan total efficiency	57.962
Pabs (kW)	0.17

## TECHNICAL DATA

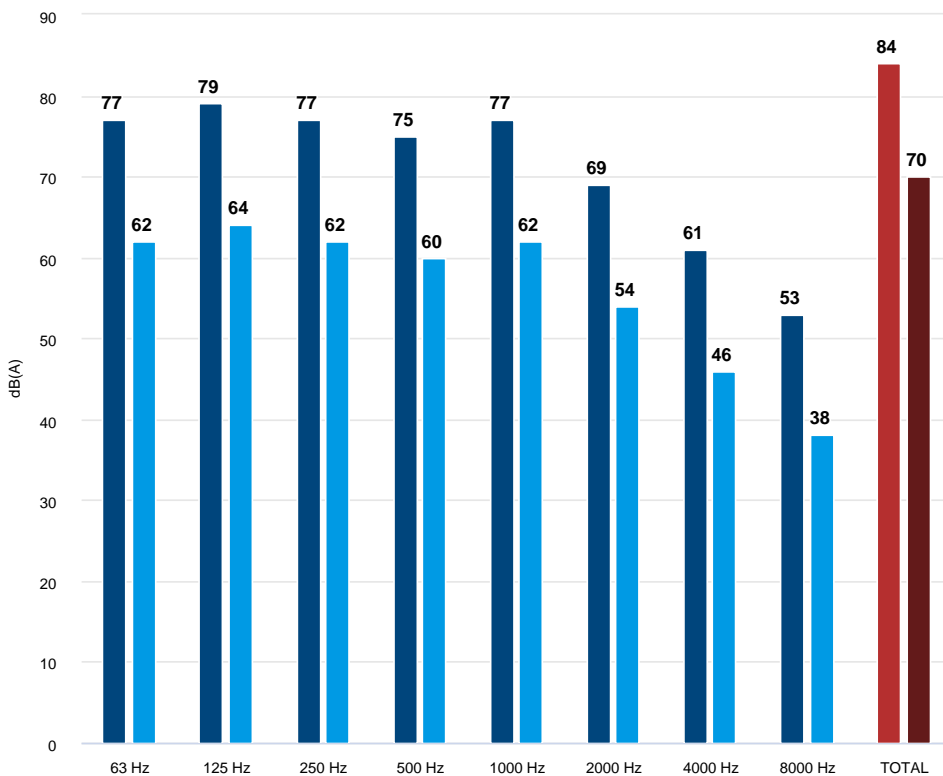
### Fan

RPM	920	Approx. weight	41 kg	Max. Flow	1670 m3/h
-----	-----	----------------	-------	-----------	-----------

### Motor

Power	0,25 kW	RPM	910	I max. (400V)	1 A	Size	71
Approx. weight	7.5 kg	Efficiency (%)	66 %	FP	0.71		

## ACOUSTIC DATA



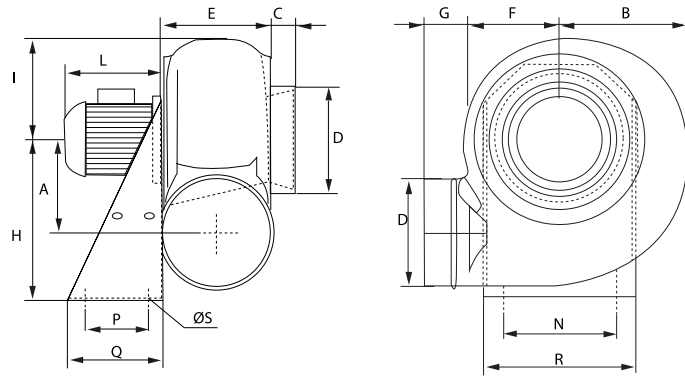
### Sound power

63 Hz	77
125 Hz	79
250 Hz	77
500 Hz	75
1000 Hz	77
2000 Hz	69
4000 Hz	61
8000 Hz	53
TOTAL	84

### Sound pressure 1.5m (in)

63 Hz	62
125 Hz	64
250 Hz	62
500 Hz	60
1000 Hz	62
2000 Hz	54
4000 Hz	46
8000 Hz	38
TOTAL	70

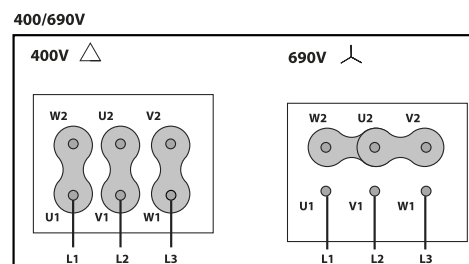
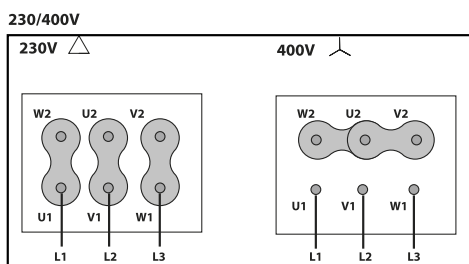
## DIMENSIONS



**Dimensions (mm)**

A	290	B	380	C	40	DØ	250	E	194
F	265	G	80	H	495	I	330	L	220
N	330	P	170	Q	250	R	365	ØS	11

## WIRING DIAGRAM



## ACCESSORIES



**ANTI-VIBRATING FLANGE 400<sup>ø</sup>/2H**  
**BA-400 25**  
**REF: 960002051**



**ANTI-VIBRATION JOINT**  
**JE 45**  
**REF: 300719201**



**ATEX SWITCH**  
**INT 16 ATEX**  
**REF: 510200016X**



**PVC FLEXIBLE JOINT**  
**FJ Ø250**  
**REF: FJ-250**



**DIFUSOR GRID**  
**DG Ø250**  
**REF: DG250**



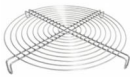
**CIRCULAR GRAVITY DAMPER**  
**CSC Ø250**  
**REF: CSC250**



**ADJUSTABLE DAMPER**  
**AD Ø250**  
**REF: AD-250**



**DRAIN PLUG**  
**PD 1**  
**REF: PD1**



**STAINLESS STEEL PROTECTION GRID**  
**RPI Ø250**  
**REF: RPI250**



**WALL SUPPORT**  
**WS 1**  
**REF: WS1**



**ANTI-VIBRATION BLOCK**  
**AV 2**  
**REF: AV-2**



**FREQUENCY SPEED CONTROLLER**  
**SFC 230 I 2,5A \***  
**REF: SFC230I003**



**FREQUENCY SPEED CONTROLLER**  
**SFC 400 III 1,2A \***  
**REF: SFC400III1**

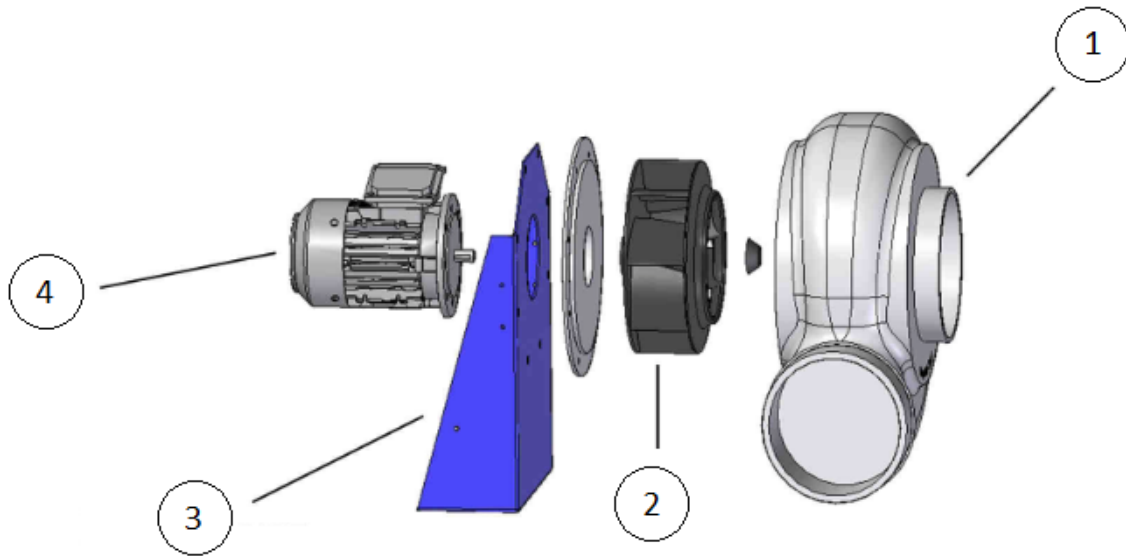


**ANTI-VIBRATION RUBBER BLOCK**  
**AVR (GENERIC)**



**ANTI-VIBRATION SPRING BLOCK**  
**AVS (GENERIC)**

**SPARE PARTS**



	Code	Model	RPM	Degrees
1	T03104069	1 x TURBINE MBPCX 40 T6 0,25 kW LG	-	-
2	721601226	1 x MOTOR 0,25KW 1000 B5 230/400V II2G IIC T4 Ex-d Gb IP66	-	-