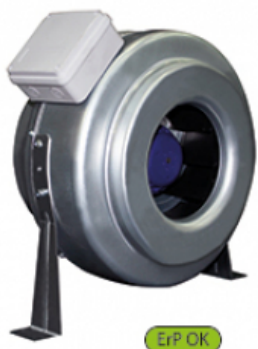


BT-3 315

GENERAL DATA



CENTRIFUGAL IN LINE WITH EXTERNAL ROTOR MOTOR

MANUFACTURING FEATURES:

- Housing in galvanized sheet.
- Backward impeller dynamically balanced.
- External connection box.
- Single-phase asynchronous motor with external rotor, including thermal protector for automatic resetting and long-life permanent lubrication ball bearings (40,000 hours). Protection IP-44. Standard voltage 230V 50/60Hz
- Supplied with support feet (optional mounting)

APPLICATIONS:

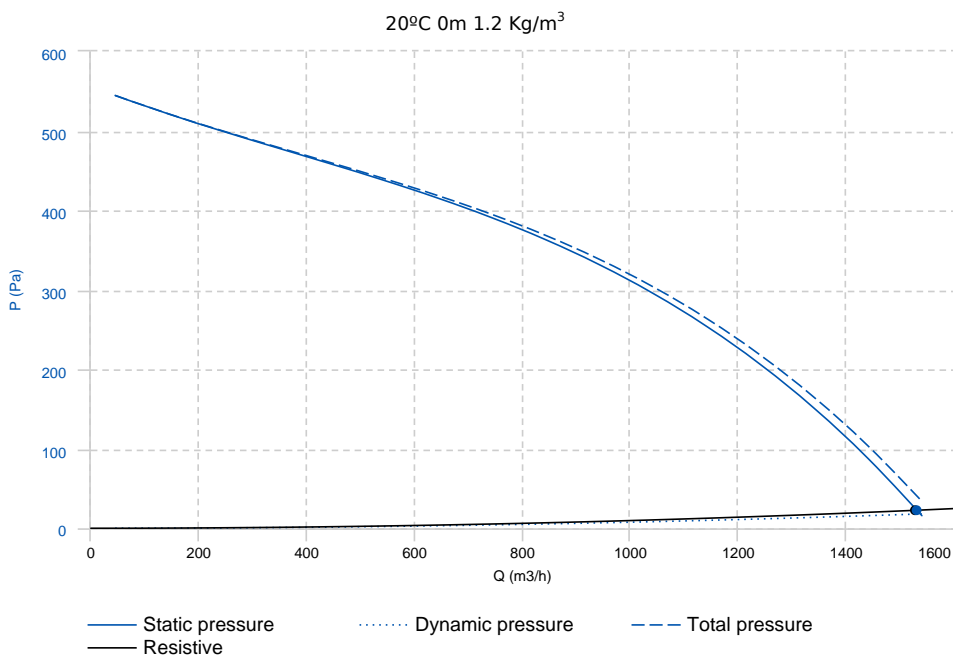
Designed for duct installation, suitable for false ceiling, are indicated for:

- Renovation of air in bathrooms and small rooms.
- Maximum continuous working temperature: 50°C.
- Fan not suitable for transporting explosive gases.

UNDER REQUEST

- Sizes from 200 to 315 can be supplied with a metal impeller.

PERFORMANCE CURVE



Design point	
Flow (m3/h)	1528.07
Pressure (Pa)	22.59
Service point	
T.max (°C)	50
Q (m3/h)	1531
Ps (Pa)	22.68
Pd (Pa)	17.86
Pt (Pa)	40.54
Speed (m/s)	5.46
Pabs (kW)	0.14

TECHNICAL DATA

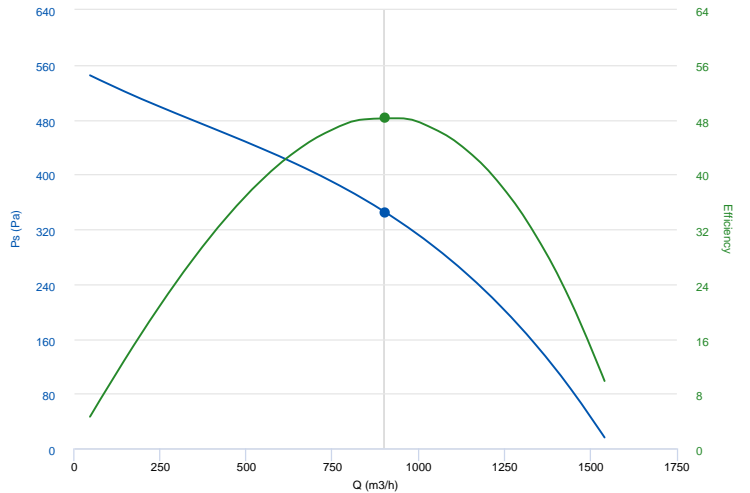
Fan					
RPM	2730	Approx. weight	6.57 kg	Max. Flow	1540 m3/h

Motor

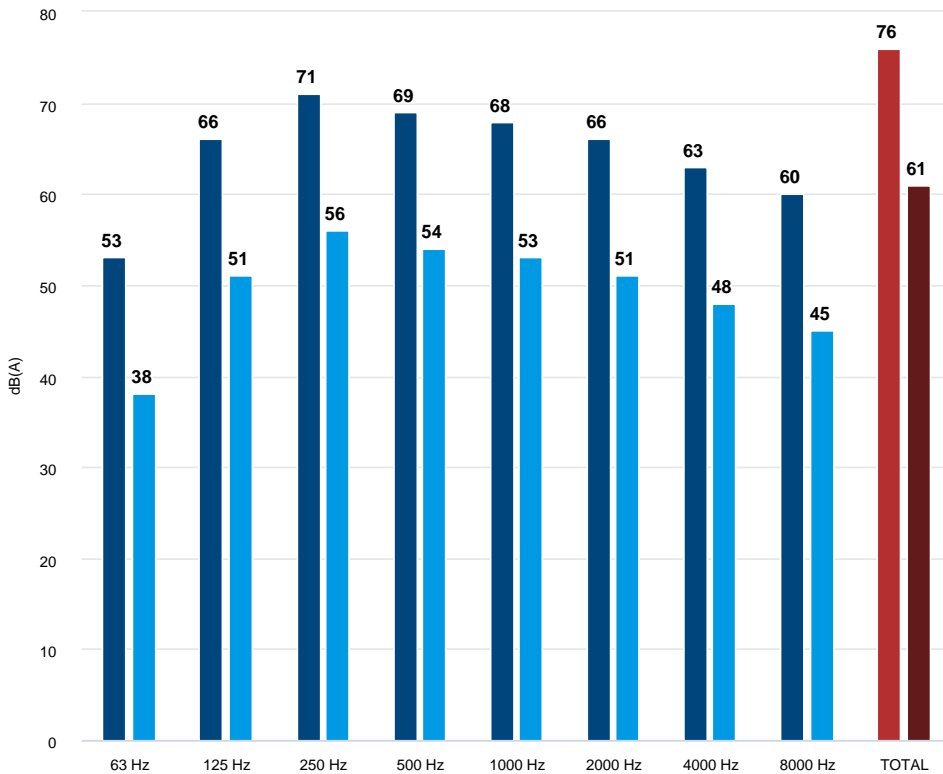
Power	0,185 kW	RPM	2730	I max. (230V)	0.81 A
-------	----------	-----	------	---------------	--------

ERP DATA

Fan data sheet		
Fan type	Unit for non-residential ventilation (LOT 6)	
Typology	Unidirectional	
reports.other	None	
Type of driver	None	
Motor power (kW)	0.185	
	Fan values	ERP Requirements 2018
Max. efficiency (%)	48.31	31.48
Effic. Heat recovery (%)	-	
Pabs (kW)	0.183	
reports.flow (m3/h)	902.34	
Static pressure (Pa)	344.92	
Speed (m/s)	3.22	
SFP (W/m3/s)	730.76	



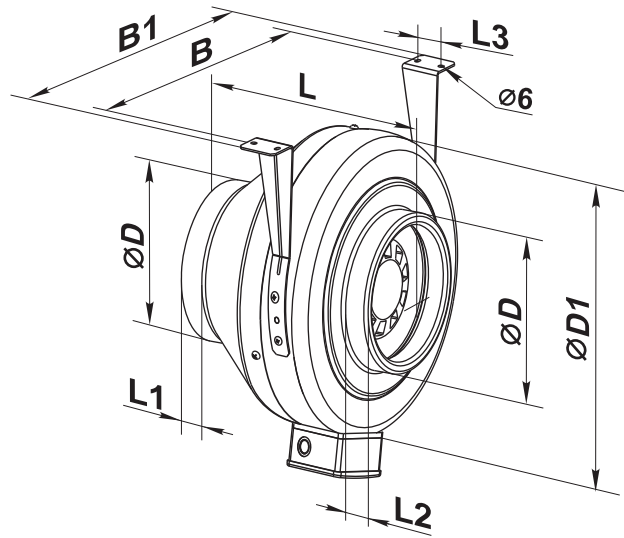
ACOUSTIC DATA



Sound power	
63 Hz	53
125 Hz	66
250 Hz	71
500 Hz	69
1000 Hz	68
2000 Hz	66
4000 Hz	63
8000 Hz	60
TOTAL	76

Sound pressure 1.5m (in)	
63 Hz	38
125 Hz	51
250 Hz	56
500 Hz	54
1000 Hz	53
2000 Hz	51
4000 Hz	48
8000 Hz	45
TOTAL	61

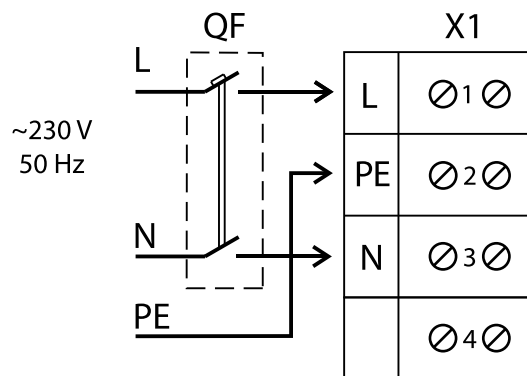
DIMENSIONS



Dimensions (mm)

B	410	B1	450	L	308	L1	33	L2	55
L3	40	ØD	313	ØD1	402				

WIRING DIAGRAM



ACCESSORIES



MANUAL SINGLE PHASE SPEED CONTROLLER
REG 1.5A
REF: 960710015



SAFETY SWITCH
INT 25 3P A
REF: INT253PA



ANTI-VIBRATION JOINT
JE 45
REF: 300719201



MANUAL SINGLE PHASE SPEED CONTROLLER
REGD-1
REF: 300782600



DIGITAL ELECTRONIC CONTROLLER
DIFFERENTIAL PRESSURE/TIME
REG VMC 3A
REF: 300953903