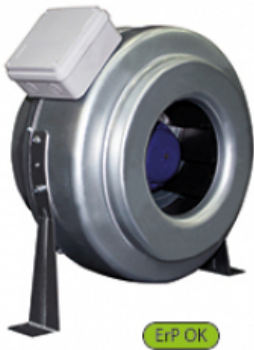


BT-3 250

GENERAL DATA



CENTRIFUGAL IN LINE WITH EXTERNAL ROTOR MOTOR

MANUFACTURING FEATURES:

- Housing in galvanized sheet.
- Backward impeller dynamically balanced.
- External connection box.
- Single-phase asynchronous motor with external rotor, including thermal protector for automatic resetting and long-life permanent lubrication ball bearings (40,000 hours). Protection IP-44. Standard voltage 230V 50/60Hz
- Supplied with support feet (optional mounting)

APPLICATIONS:

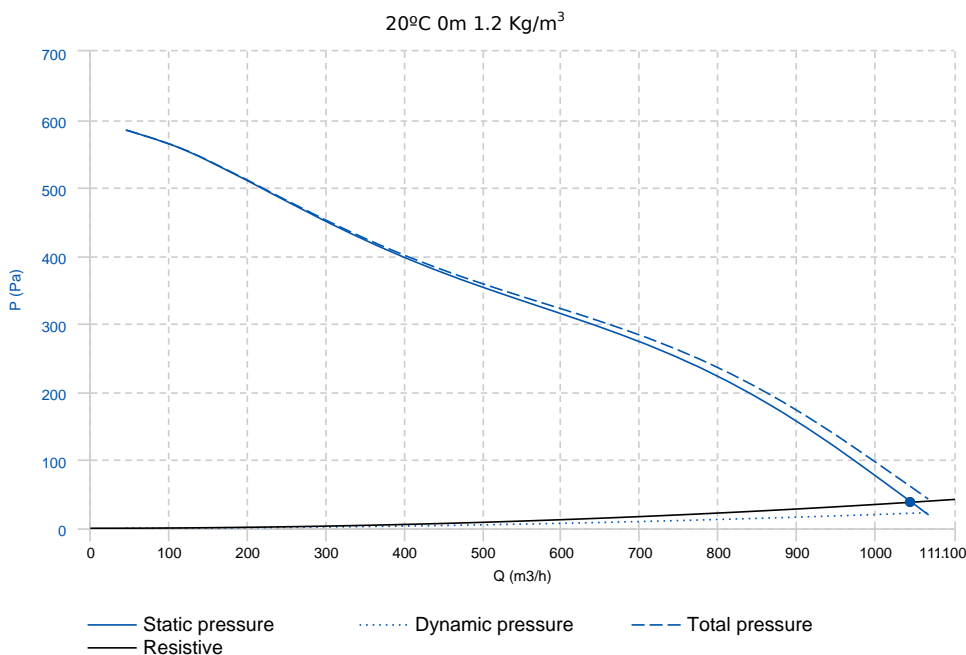
Designed for duct installation, suitable for false ceiling, are indicated for:

- Renovation of air in bathrooms and small rooms.
- Maximum continuous working temperature: 50°C.
- Fan not suitable for transporting explosive gases.

UNDER REQUEST

- Sizes from 200 to 315 can be supplied with a metal impeller.

PERFORMANCE CURVE



Design point	
Flow (m3/h)	1043.86
Pressure (Pa)	38.08
Service point	
T.max (°C)	50
Q (m3/h)	1045.22
Ps (Pa)	38.18
Pd (Pa)	22.02
Pt (Pa)	60.2
Speed (m/s)	6.06
Pabs (kW)	0.14

TECHNICAL DATA

Fan

RPM	2765	Approx. weight	5.25 kg	Max. Flow	1070 m3/h
-----	------	----------------	---------	-----------	-----------

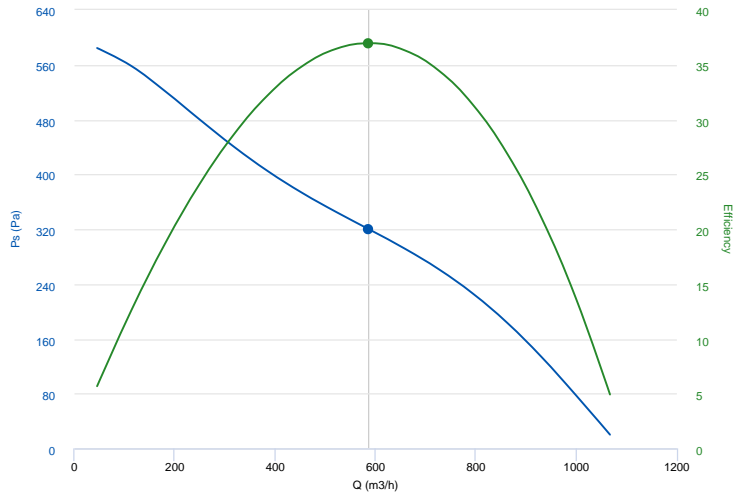
Motor

Power	0,152 kW	RPM	2765	I max. (230V)	0.66 A
-------	----------	-----	------	---------------	--------

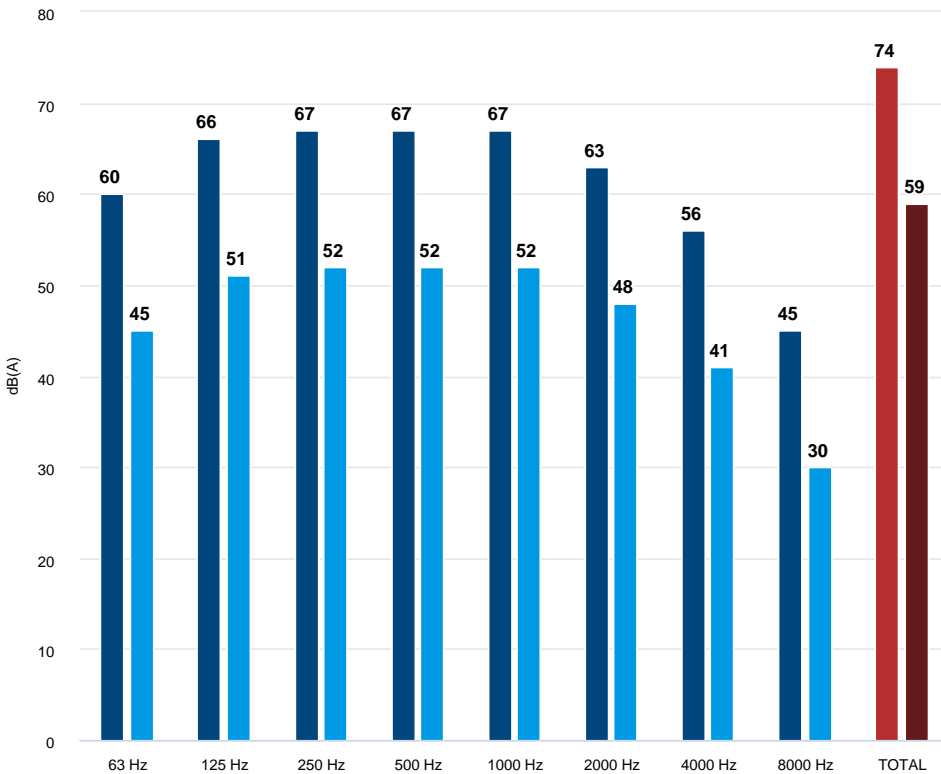
ERP DATA

Fan data sheet

Fan type	Unit for non-residential ventilation (LOT 6)	
Typology	Unidirectional	
reports.other	None	
Type of driver	None	
Motor power (kW)	0.152	
	Fan values	ERP Requirements 2018
Max. efficiency (%)	36.97	30.18
Effic. Heat recovery (%)	-	
Pabs (kW)	0.149	
reports.flow (m3/h)	586	
Static pressure (Pa)	320.15	
Speed (m/s)	3.4	
SFP (W/m3/s)	912.84	



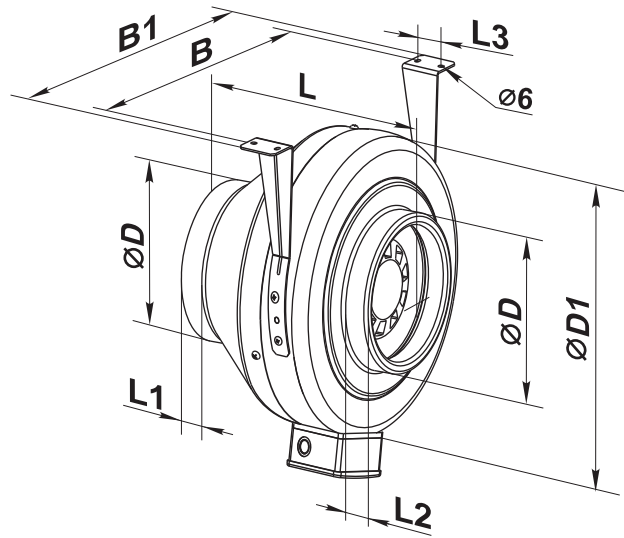
ACOUSTIC DATA



Sound power	
63 Hz	60
125 Hz	66
250 Hz	67
500 Hz	67
1000 Hz	67
2000 Hz	63
4000 Hz	56
8000 Hz	45
TOTAL	74

Sound pressure 1.5m (in)	
63 Hz	45
125 Hz	51
250 Hz	52
500 Hz	52
1000 Hz	52
2000 Hz	48
4000 Hz	41
8000 Hz	30
TOTAL	59

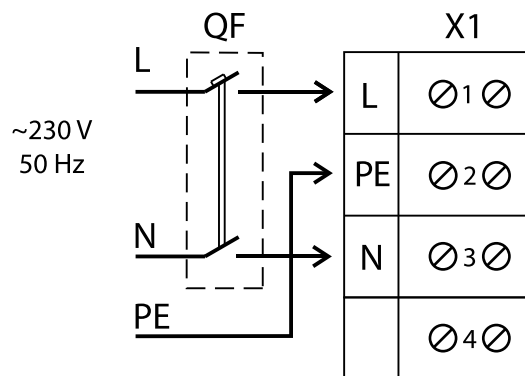
DIMENSIONS



Dimensions (mm)

B	340	B1	380	L	213	L1	25	L2	29
L3	40	ØD	2499	ØD1	332				

WIRING DIAGRAM



ACCESSORIES



MANUAL SINGLE PHASE SPEED CONTROLLER
REG 1.5A
REF: 960710015



SAFETY SWITCH
INT 25 3P A
REF: INT253PA



ANTI-VIBRATION JOINT
JE 45
REF: 300719201



MANUAL SINGLE PHASE SPEED CONTROLLER
REGD-1
REF: 300782600



DIGITAL ELECTRONIC CONTROLLER
DIFFERENTIAL PRESSURE/TIME
REG VMC 3A
REF: 300953903