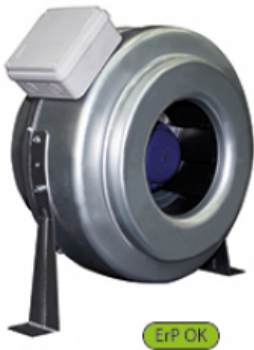


BT-3 160

GENERAL DATA



CENTRIFUGAL IN LINE WITH EXTERNAL ROTOR MOTOR

MANUFACTURING FEATURES:

- Housing in galvanized sheet.
- Backward impeller dynamically balanced.
- External connection box.
- Single-phase asynchronous motor with external rotor, including thermal protector for automatic resetting and long-life permanent lubrication ball bearings (40,000 hours). Protection IP-44. Standard voltage 230V 50/60Hz
- Supplied with support feet (optional mounting)

APPLICATIONS:

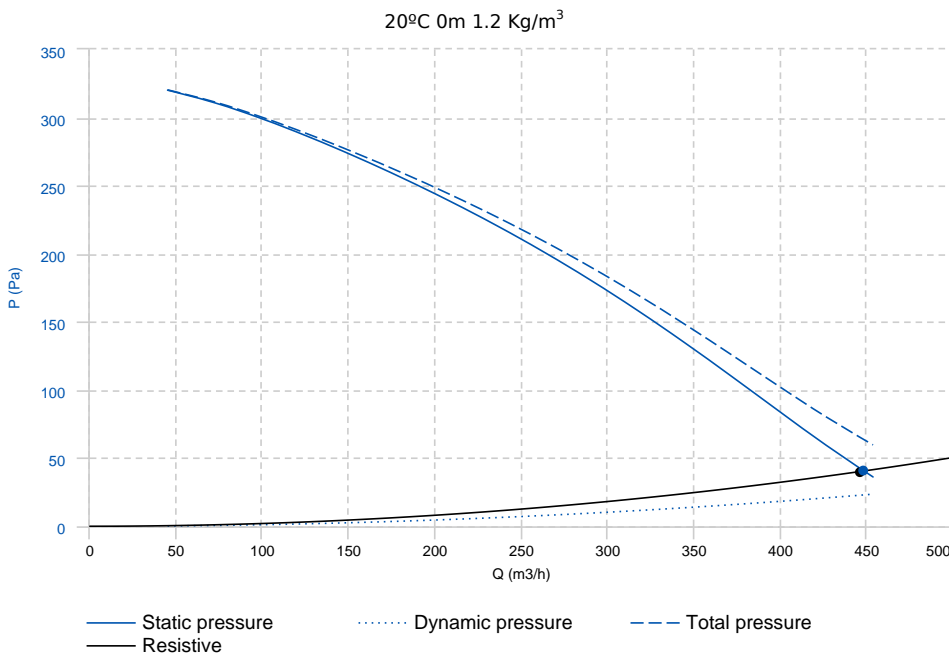
Designed for duct installation, suitable for false ceiling, are indicated for:

- Renovation of air in bathrooms and small rooms.
- Maximum continuous working temperature: 50°C.
- Fan not suitable for transporting explosive gases.

UNDER REQUEST

- Sizes from 200 to 315 can be supplied with a metal impeller.

PERFORMANCE CURVE



Design point	
Flow (m3/h)	446.54
Pressure (Pa)	40.27
Service point	
T.max (°C)	50
Q (m3/h)	448.18
Ps (Pa)	40.57
Pd (Pa)	23
Pt (Pa)	63.56
Speed (m/s)	6.19
Pabs (kW)	0.08

TECHNICAL DATA

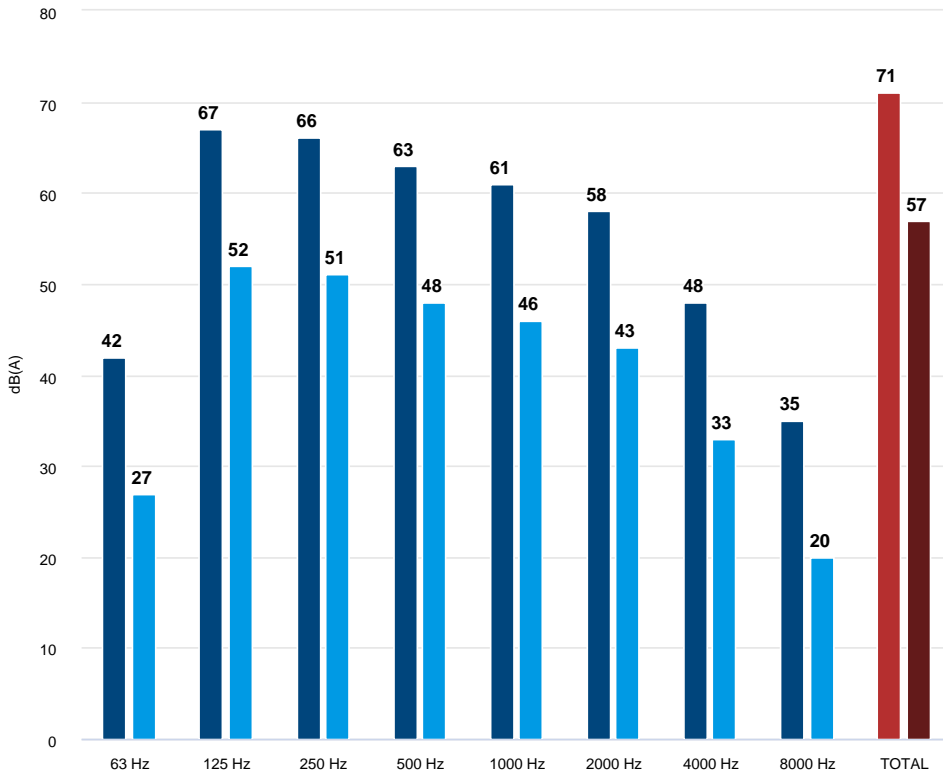
Fan

RPM	2760	Approx. weight	3.44 kg	Max. Flow	455 m3/h
-----	------	----------------	---------	-----------	----------

Motor

Power	0,075 kW	RPM	2760	I max. (230V)	0.34 A
-------	----------	-----	------	---------------	--------

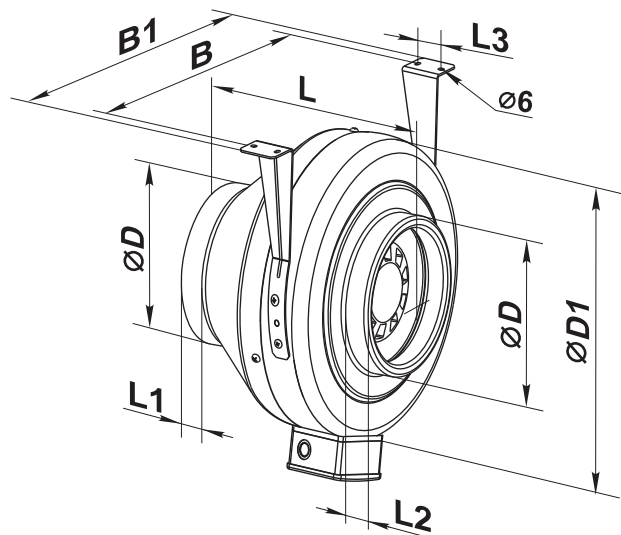
ACOUSTIC DATA



Sound power	
63 Hz	42
125 Hz	67
250 Hz	66
500 Hz	63
1000 Hz	61
2000 Hz	58
4000 Hz	48
8000 Hz	35
TOTAL	71

Sound pressure 1.5m (in)	
63 Hz	27
125 Hz	52
250 Hz	51
500 Hz	48
1000 Hz	46
2000 Hz	43
4000 Hz	33
8000 Hz	20
TOTAL	57

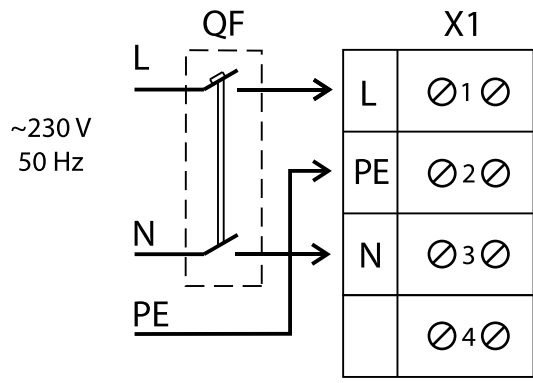
DIMENSIONS




Dimensions (mm)

B	294	B1	334	L	200	L1	25	L2	23
L3	30	ØD	158	ØD1	278				

WIRING DIAGRAM




ACCESSORIES



**MANUAL SINGLE PHASE SPEED CONTROLLER
REG 1.5A
REF: 960710015**




**SAFETY SWITCH
INT 25 3P A
REF: INT253PA**



**ANTI-VIBRATION JOINT
JE 45
REF: 300719201**



**MANUAL SINGLE PHASE SPEED CONTROLLER
REGD-1
REF: 300782600**



**DIGITAL ELECTRONIC DIFFERENTIAL PRESSURE/TIME CONTROLLER
REG VMC 3A
REF: 300953903**