

BOX BD 9/9 M4 0,35kW

GENERAL DATA



CENTRIFUGAL IN SOUNDPROOF CABINET

MANUFACTURING FEATURES:

- Impellers made of polyamide reinforced with fiberglass up to size 33/33 (12/12). Rest of models made of galvanized steel sheet.
- BD range fans assembled in soundproof cabinets with thermo-acoustic insulation, Bs1d0 fire class.
- Fan assembled on antivibration mountings.
- Connection gland included.
- Closed motors specially designed by Casals with extruded aluminum housing, which make the whole connection is protected within the integrated terminal box on the motor IP 65 protection and motor with IP54 protection and Class F insulation standard voltages: 230V 50Hz in single phase and 230/400V 50Hz three-phase.

APPLICATIONS:

Designed for inline installation, indoor or outdoor assembly, they are suitable for:

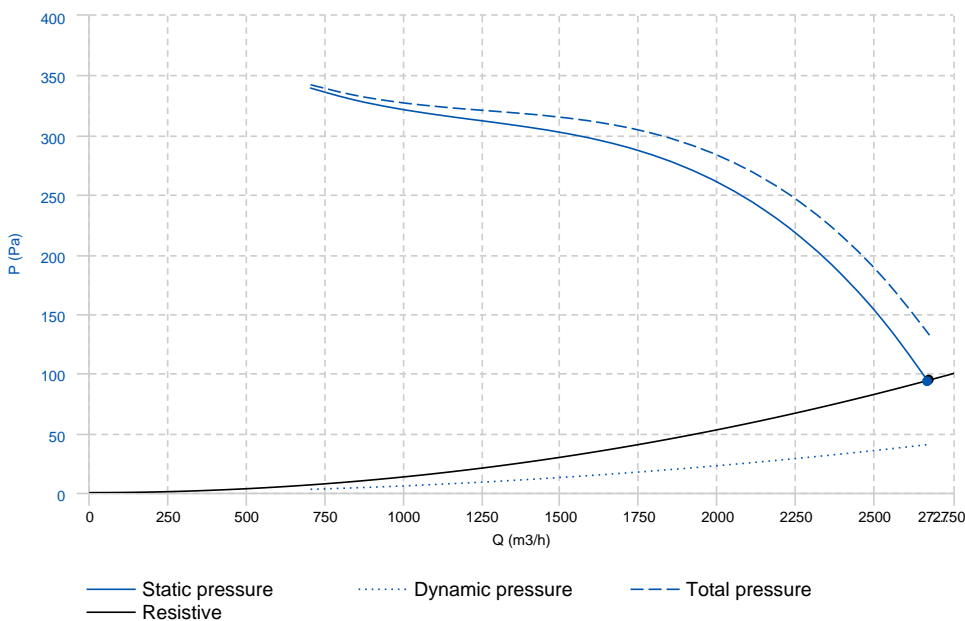
- Air renewal in buildings and industries.
- Industrial and professional kitchen hoods.
- Maximum working temperature: 50°C.

UNDER REQUEST:

- LG0 position.
- Impellers made of galvanised steel sheet.
- 3 speed fans.

PERFORMANCE CURVE

20°C 0m 1.2 Kg/m³



Design point	
Flow (m3/h)	2675.58
Pressure (Pa)	94.56
Service point	
T.max (°C)	50
Q (m3/h)	2668.04
Ps (Pa)	94.03
Pd (Pa)	40.28
Pt (Pa)	134.31
Speed (m/s)	8.19
Pabs (kW)	0.56

TECHNICAL DATA

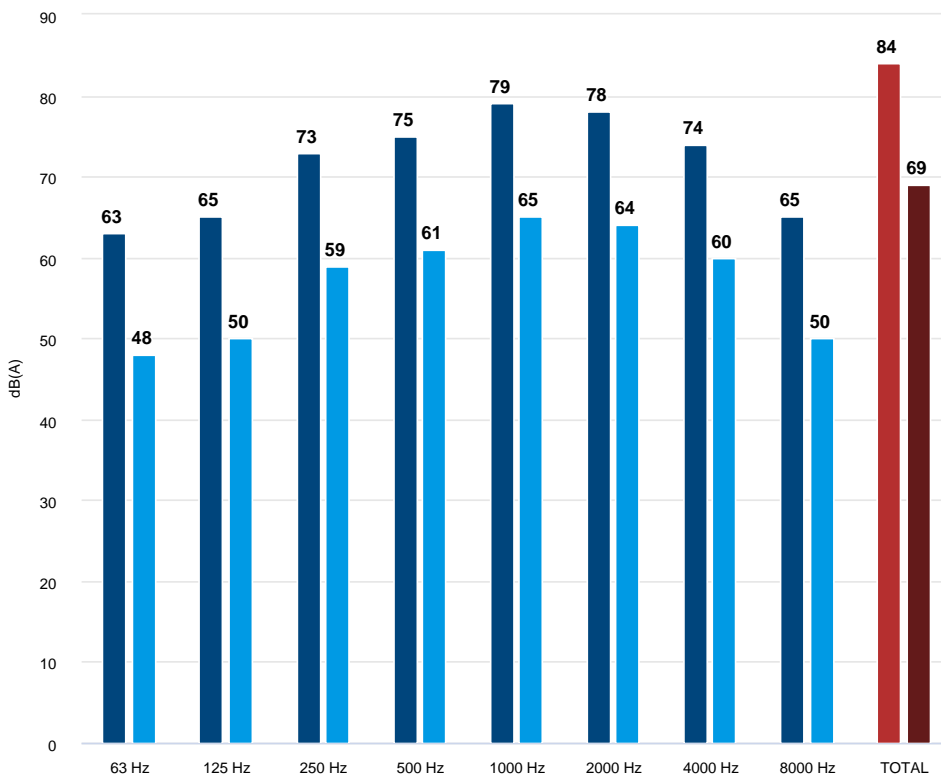
Fan

RPM	1375	Approx. weight	30 kg	Max. Flow	2670 m3/h
-----	------	----------------	-------	-----------	-----------

Motor

Power	0,35 kW	RPM	1375	Capacitor	18µF 400V	I max. (230V)	2,7 A
Size	STC80	Approx. weight	6.4 kg	Efficiency (%)	71.8 %	FP	0.98

ACOUSTIC DATA



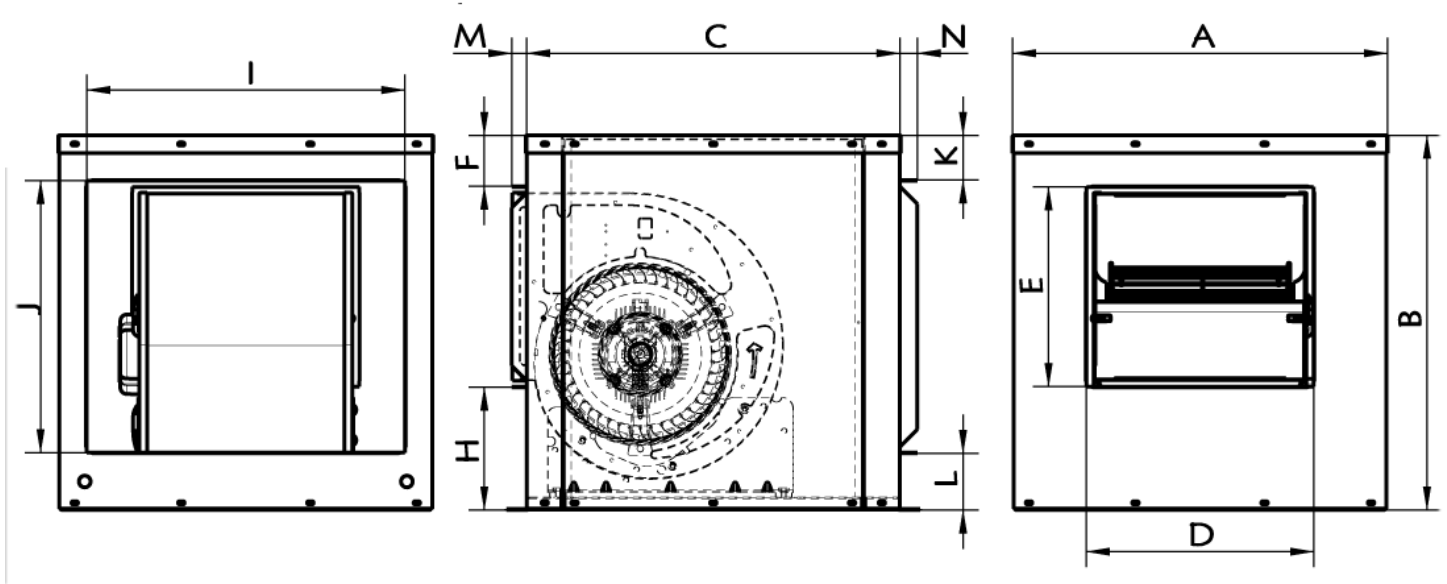
Sound power

63 Hz	63
125 Hz	65
250 Hz	73
500 Hz	75
1000 Hz	79
2000 Hz	78
4000 Hz	74
8000 Hz	65
TOTAL	84

Sound pressure 1.5m (in)

63 Hz	48
125 Hz	50
250 Hz	59
500 Hz	61
1000 Hz	65
2000 Hz	64
4000 Hz	60
8000 Hz	50
TOTAL	69

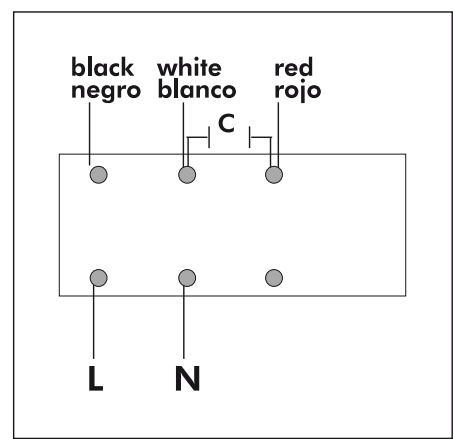
DIMENSIONS



Dimensions (mm)									
A	535	B	535	C	535	D	311	E	268
F	96	H	169	I	418	J	359	K	78
L	96	M	23	N	27				

WIRING DIAGRAM

**SINGLE PHASE MOTOR
MOTOR MONOFÁSICO**





ACCESSORIES



**MANUAL SINGLE PHASE SPEED CONTROLLER
REG 3A**
REF: 960710030



**SAFETY SWITCH
INT 25 3P A**
REF: INT253PA



**METALLIC GRAVITY SHUTTER FOR CABINET
FANS. CERTIFIED 400°C/2H
PI 25/25 (9/9)**
REF: 970250100



**INLET BLIND COVER
TCA 7**
REF: 960001112



**INLET/OUTLET ROUND COVER
TIAC 2 (OUT)**
REF: 960001352



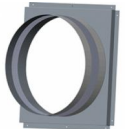
**INLET/OUTLET ROUND COVER
TIAC 13 (IN)**
REF: 960001363



**OUTDOOR FLANGE WITH BIRD GUARD
VIS IN 9**
REF: 960000052



**RECTANGULAR-CIRCULAR ANTI-VIBRATION
FLANGE
BAC 2 (OUT 9/9)**
REF: 960002952



**RECTANGULAR-CIRCULAR ANTI-VIBRATION
FLANGE
BAC 13 (IN BOX BD/BV 9/9)**
REF: 960002963

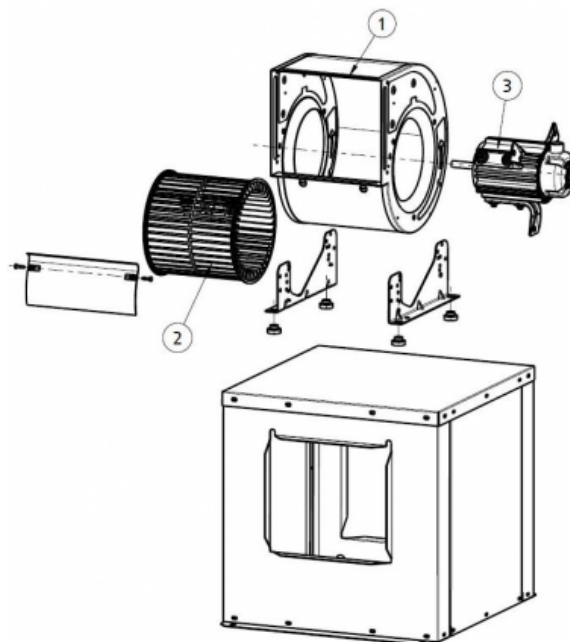


**OUTDOOR FLANGE WITH BIRD GUARD
VIS OUT 9**
REF: 960000050



**DIGITAL ELECTRONIC CONTROLLER
DIFFERENTIAL PRESSURE/TIME
REG VMC 3A**
REF: 300953903

SPARE PARTS



	Code	Model	RPM	Degrees
2	251289383	1 x TURBINE PA6 BD9/9	-	-
3	251229478	1 x MOTOR+SUPPORTS BD9/9M4	-	-
3	720331132	1 x MOTOR BD M4 0,35kW 230V	-	-