

HJEM 35 M4

GENERAL DATA



SQUARE WALL PLATE FAN

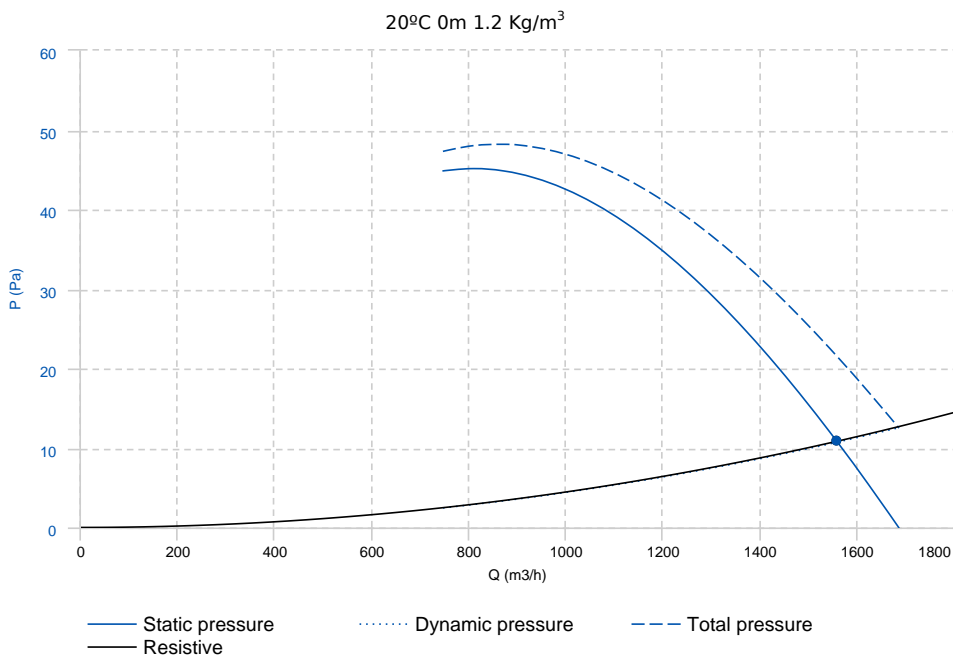
MANUFACTURING FEATURES

- Square plate made of galvanized steel sheet.
- Aluminium sheet impeller.
- Supplied with motor support and protection guard according to the UNE-EN 294 standard.
- Shaded-pole asynchronous motor, rated Class F isolation and IP-42.

APPLICATIONS

- Designed for wall assembly, they are suitable for:
- Air renewal in all kind of closed environments.
 - Maximum working temperature: 50°C.

PERFORMANCE CURVE



Design point	
Flow (m3/h)	1557.11
Pressure (Pa)	10.83
Service point	
T.max (°C)	50
Q (m3/h)	1557.81
Ps (Pa)	10.84
Pd (Pa)	10.72
Pt (Pa)	21.56
Speed (m/s)	4.23
Fan total efficiency	8.091
Pabs (kW)	0.12

TECHNICAL DATA

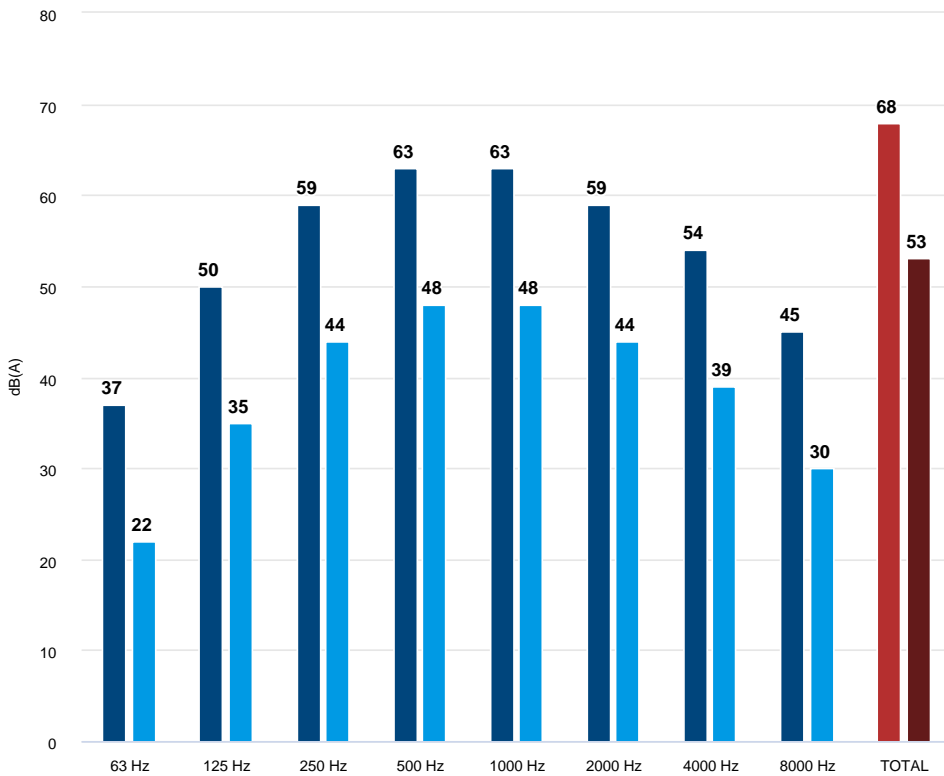
Fan

RPM	1320	Approx. weight	4 kg	Max. Flow	1690 m3/h
-----	------	----------------	------	-----------	-----------

Motor

Power	0,08 kW	RPM	1320	I max. (230V)	0,75 A
-------	---------	-----	------	---------------	--------

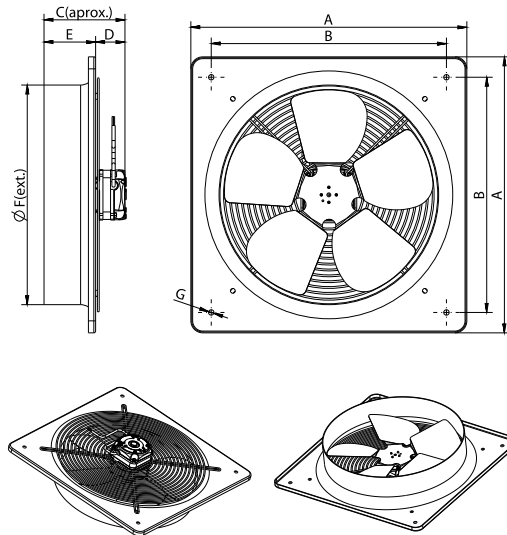
ACOUSTIC DATA



Sound power	
63 Hz	37
125 Hz	50
250 Hz	59
500 Hz	63
1000 Hz	63
2000 Hz	59
4000 Hz	54
8000 Hz	45
TOTAL	68

Sound pressure 1.5m (in)	
63 Hz	22
125 Hz	35
250 Hz	44
500 Hz	48
1000 Hz	48
2000 Hz	44
4000 Hz	39
8000 Hz	30
TOTAL	53

DIMENSIONS

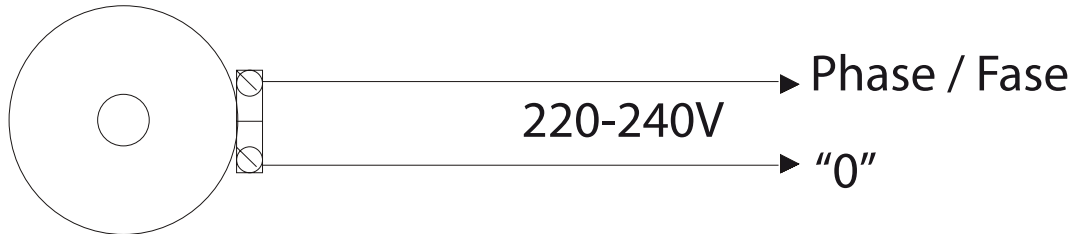


Dimensions (mm)

A	460	B	392	C	160	D	74	E	86
ØF	361	ØG	9						



WIRING DIAGRAM



ACCESSORIES



**MANUAL SINGLE PHASE SPEED CONTROLLER
REG 1.5A
REF: 960710015**



**SAFETY SWITCH
INT 25 3P A
REF: INT253PA**



**Outlet protection guard for axial fans
RP0 35
REF: 980000035**



**MANUAL SINGLE PHASE SPEED CONTROLLER
REGD-1
REF: 300782600**



**DIGITAL ELECTRONIC CONTROLLER
DIFFERENCIAL PRESSURE/TIME
REG VMC 3A
REF: 300953903**



SPARE PARTS

	Code	Model	RPM	Degrees
1	265303650	1 x IMPELLER HJEM35 350/20 ALUMINIO	-	-
2	720001012	1 x MOTOR HJEM 35 M4 230V	-	-
3	265351905	1 x PROTECTION GRID HJEM35	-	-