

HJBM PLUS 25 T2 0,37kW

GENERAL DATA



SQUARE WALL PLATE FAN, VARIABLE PITCH BLADES AND HIGH EFFICIENCY MOTOR

MANUFACTURING FEATURES

- Square plate made of galvanized steel sheet with polyester painting.
- Variable pitch angle polyamide impeller reinforced with fibreglass.
- Supplied with motor support and protection guard according to the UNE-EN 20-359-74 norm and the ROHS 2002/95/EC Directive (Restriction of the Use of Certain Hazardous Substances in Electrical and Electronic Equipments).
- High efficiency standard asynchronous squirrel-cage motor with IP-55 protection (wiring box IP-65) and Class F insulation. Manufactured with standard voltages: 230V 50Hz for the single phase motors and 230/400V 50Hz for the three phase motors.

APPLICATIONS

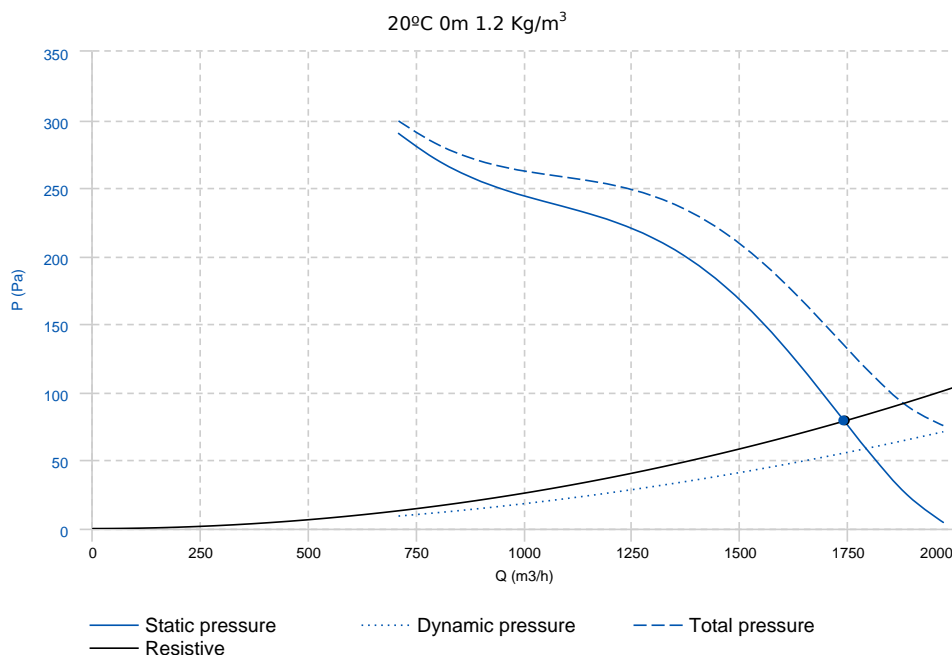
Designed for wall assembly, they are suitable for:

- Air renewal in buildings and industries.
- Maximum working temperature: single phase 50°C, three phase 60°C.

UNDER REQUEST

- Aluminium impeller.
- 60Hz fans.

PERFORMANCE CURVE



Design point	
Flow (m3/h)	1742.41
Pressure (Pa)	79.08
Service point	
T.max (°C)	60
Q (m3/h)	1740.59
Ps (Pa)	78.91
Pd (Pa)	55.48
Pt (Pa)	134.39
Speed (m/s)	9.62
Pabs (kW)	0.21

TECHNICAL DATA

Fan					
RPM	2800	Approx. weight	4.5 kg	Max. Flow	1970 m3/h

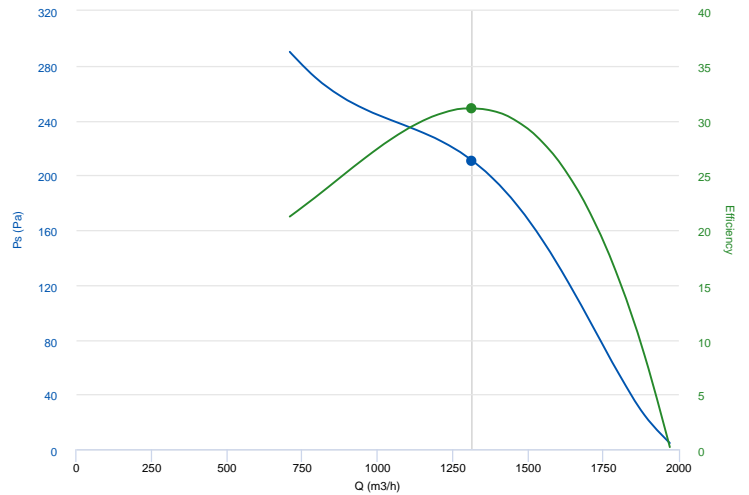
Motor

Power	0,37 kW	RPM	2800	I max. (230V)	1,58 A	I max. (400V)	0,91 A
Size	71	Approx. weight	5.7 kg				

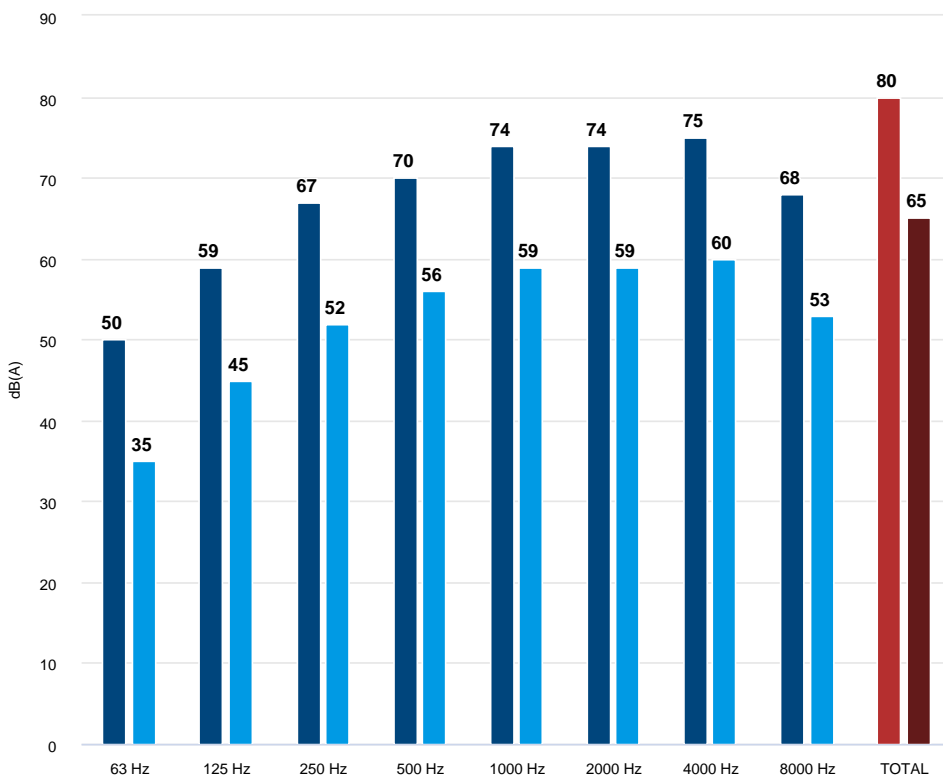
ERP DATA

Fan data sheet

Fan type	Axial fan	
Installation category	A: Outlet and Inlet free discharge	
Efficiency category	Static	
The fan has to be installed with VF	No	
Motor power (kW)	0.37	
	Fan values	ERP Requirements 2015
Max. efficiency (%)	31.1	29.84
Efficiency grade (N)	41.27	40
Pabs (kW)	0.247	
reports.flow (m3/h)	1313.62	
Static pressure (Pa)	210.73	
Speed (m/s)	2800	
Specific ratio	1.00	



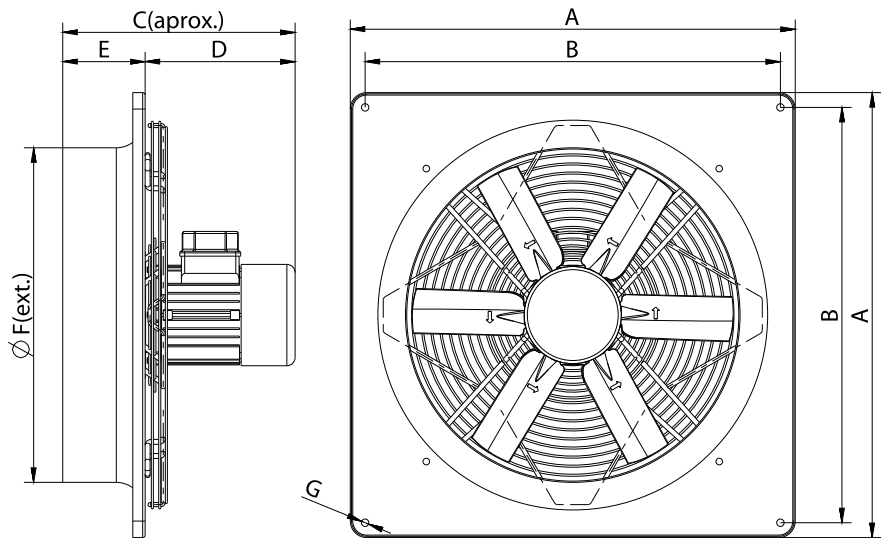
ACOUSTIC DATA



Sound power	
63 Hz	50
125 Hz	59
250 Hz	67
500 Hz	70
1000 Hz	74
2000 Hz	74
4000 Hz	75
8000 Hz	68
TOTAL	80

Sound pressure 1.5m (in)	
63 Hz	35
125 Hz	45
250 Hz	52
500 Hz	56
1000 Hz	59
2000 Hz	59
4000 Hz	60
8000 Hz	53
TOTAL	65

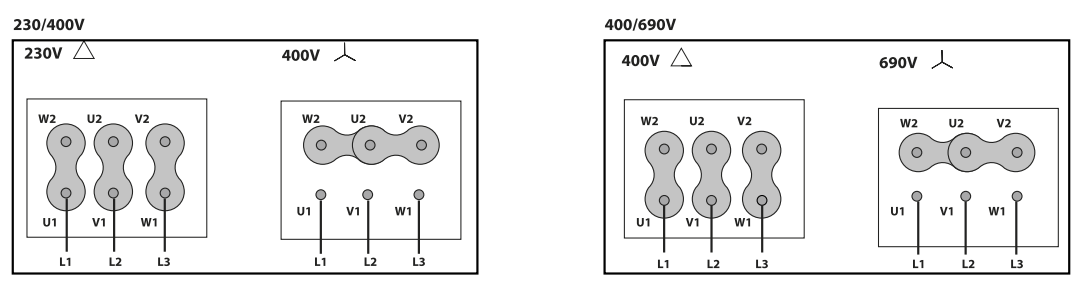
DIMENSIONS



Dimensions (mm)

A	370	B	320	C	298,5	D	220,5	E	78
$\varnothing F$	253	$\varnothing G$	7						


WIRING DIAGRAM



ACCESSORIES



SAFETY SWITCH
INT 25 3P A
REF: INT253PA



Outlet protection guard for axial fans
RPO 25
REF: 980000025



PLASTIC GRAVITY SHUTTER
PCP 25
REF: 963200105



FREQUENCY SPEED CONTROLLER
SFC 230 I 2,5A *
REF: SFC230I003



FREQUENCY SPEED CONTROLLER
SFC 400 III 1,2A *
REF: SFC400III1