

BOX BD 9/9 M6 0,12kW

GENERAL DATA



CENTRIFUGAL IN SOUNDPROOF CABINET

MANUFACTURING FEATURES:

- Impellers made of polyamide reinforced with fiberglass up to size 33/33 (12/12). Rest of models made of galvanized steel sheet.
- BD range fans assembled in soundproof cabinets with thermo-acoustic insulation, Bs1d0 fire class.
- Fan assembled on antivibration mountings.
- Connection gland included.
- Closed motors specially designed by Casals with extruded aluminum housing, which make the whole connection is protected within the integrated terminal box on the motor IP 65 protection and motor with IP54 protection and Class F insulation standard voltages: 230V 50Hz in single phase and 230/400V 50Hz three-phase.

APPLICATIONS:

Designed for inline installation, indoor or outdoor assembly, they are suitable for:

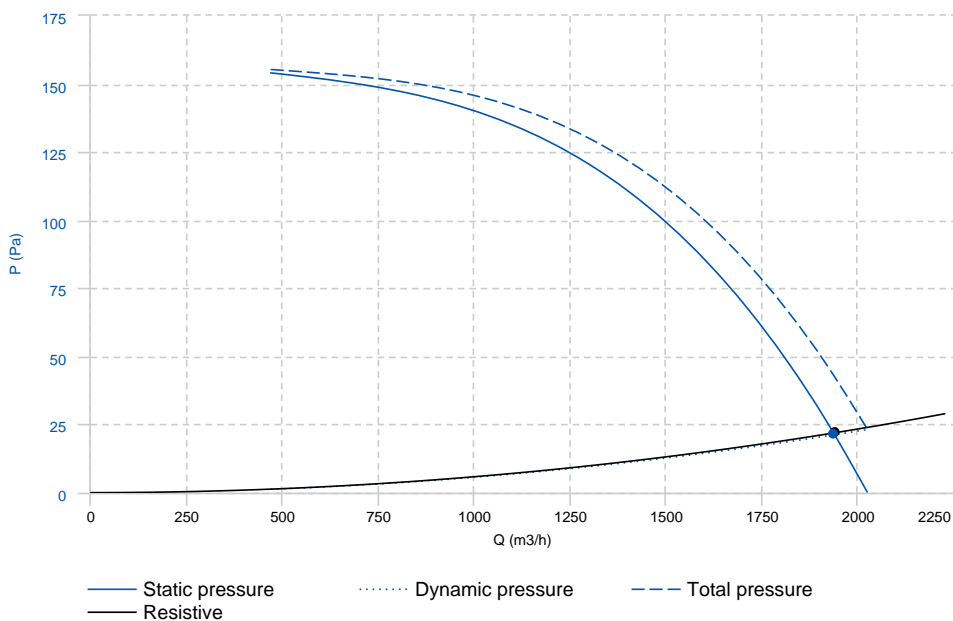
- Air renewal in buildings and industries.
- Industrial and professional kitchen hoods.
- Maximum working temperature: 50°C.

UNDER REQUEST:

- LG0 position.
- Impellers made of galvanised steel sheet.
- 3 speed fans.

PERFORMANCE CURVE

20°C 0m 1.2 Kg/m³



Design point	
Flow (m3/h)	1938.34
Pressure (Pa)	21.97
Service point	
T.max (°C)	50
Q (m3/h)	1935.56
Ps (Pa)	21.91
Pd (Pa)	21.2
Pt (Pa)	43.1
Speed (m/s)	5.94
Pabs (kW)	0.22

TECHNICAL DATA

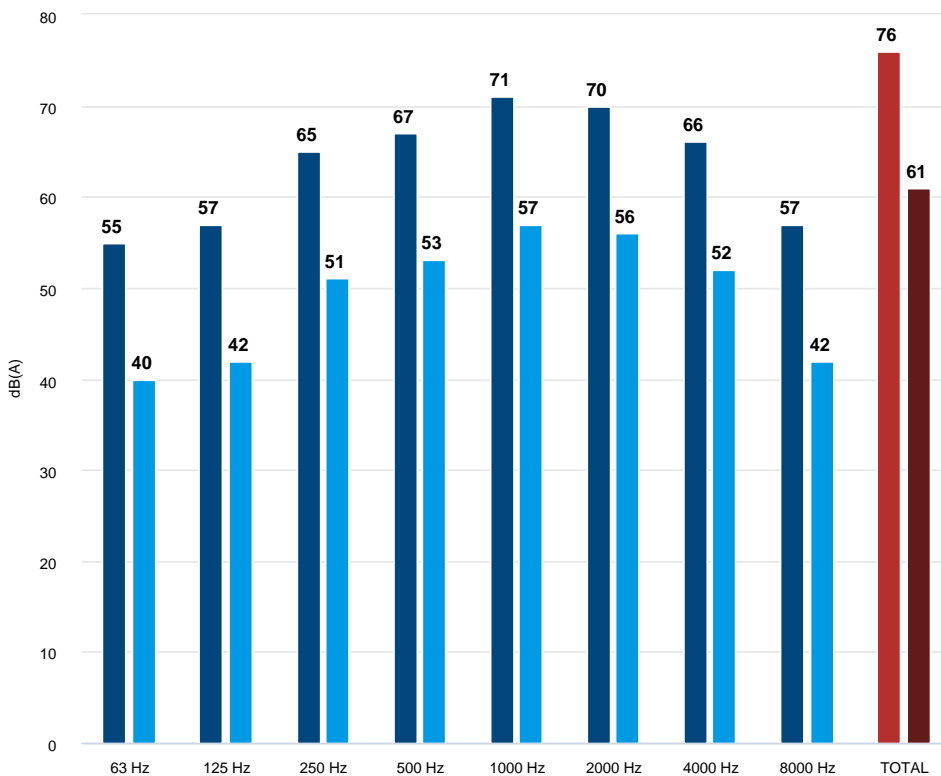
Fan

RPM	925	Approx. weight	28 kg	Max. Flow	2050 m3/h
-----	-----	----------------	-------	-----------	-----------

Motor

Power	0,12 kW	RPM	925	Capacitor	7µF 400V	I max. (230V)	1,2 A
Size	STC63	Approx. weight	4.7 kg	Efficiency (%)	57.6 %	FP	0.99

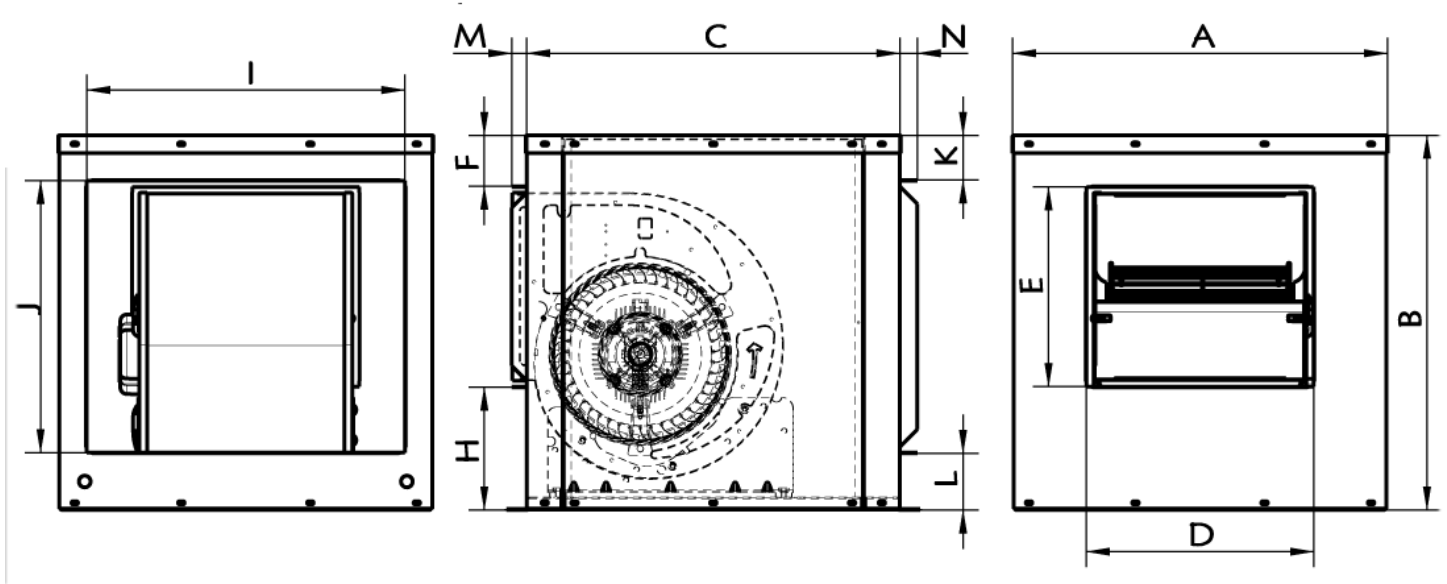
ACOUSTIC DATA



Sound power	
63 Hz	55
125 Hz	57
250 Hz	65
500 Hz	67
1000 Hz	71
2000 Hz	70
4000 Hz	66
8000 Hz	57
TOTAL	76

Sound pressure 1.5m (in)	
63 Hz	40
125 Hz	42
250 Hz	51
500 Hz	53
1000 Hz	57
2000 Hz	56
4000 Hz	52
8000 Hz	42
TOTAL	61

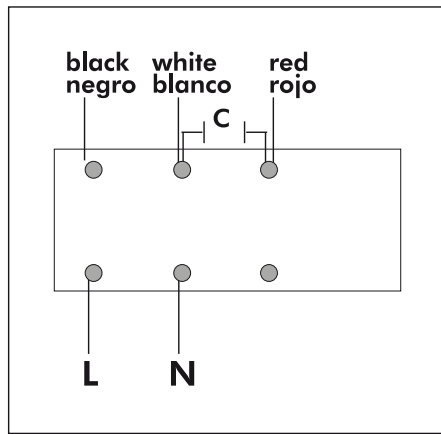
DIMENSIONS



Dimensions (mm)									
A	535	B	535	C	535	D	311	E	268
F	96	H	169	I	418	J	359	K	78
L	96	M	23	N	27				

WIRING DIAGRAM

SINGLE PHASE MOTOR MOTOR MONOFÁSICO





ACCESSORIES



MANUAL SINGLE PHASE SPEED CONTROLLER
REG 1.5A
REF: 960710015



SAFETY SWITCH
INT 25 3P A
REF: INT253PA



METALLIC GRAVITY SHUTTER FOR CABINET
FANS. CERTIFIED 400°C/2H
PI 25/25 (9/9)
REF: 970250100



INLET BLIND COVER
TCA 7
REF: 960001112



INLET/OUTLET ROUND COVER
TIAC 2 (OUT)
REF: 960001352



INLET/OUTLET ROUND COVER
TIAC 13 (IN)
REF: 960001363



OUTDOOR FLANGE WITH BIRD GUARD
VIS IN 9
REF: 960000052



RECTANGULAR-CIRCULAR ANTI-VIBRATION
FLANGE
BAC 2 (OUT 9/9)
REF: 960002952



RECTANGULAR-CIRCULAR ANTI-VIBRATION
FLANGE
BAC 13 (IN BOX BD/BV 9/9)
REF: 960002963

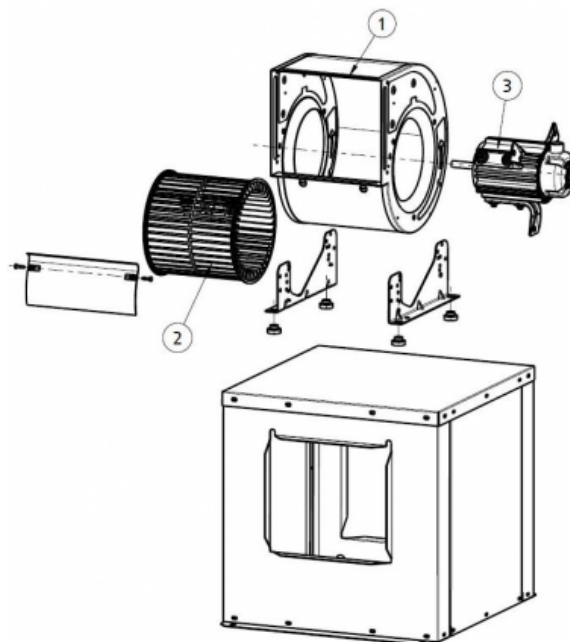


OUTDOOR FLANGE WITH BIRD GUARD
VIS OUT 9
REF: 960000050



DIGITAL ELECTRONIC CONTROLLER
DIFFERENTIAL PRESSURE/TIME
REG VMC 3A
REF: 300953903

SPARE PARTS



	Code	Model	RPM	Degrees
2	251289383	1 x TURBINE PA6 BD9/9	-	-
3	251289478	1 x MOTOR+SUPPORTS BD9M6 STC	-	-
3	720331214	1 x MOTOR BD M6 0,12kW 230V	-	-