



Specification of: RDM 57-4550-6W-11

Smoke Extract Roof Fan Nicotra Gebhardt genovent

ensuring a turbulence free discharge and suitable for smoke extraction in the case of fire up to +600 °C -120 minutes. Tested to DIN EN 12101-3, snow load class requirements SL 1000 assigned and CE- certified (Certificate of EG conformity 0036-CPR-RG01-16). Assigned for mounting over heated and unheated rooms. Stylish sealed casing manufactured from aluminium. Base frame of galvanised sheet steel for fitting to upstand, projecting well beyond the upstand in order to increase weatherproofing. Discharge equipped with automatic backdraught shutters protecting the unit inside against weather at standstill. Centrifugal impeller

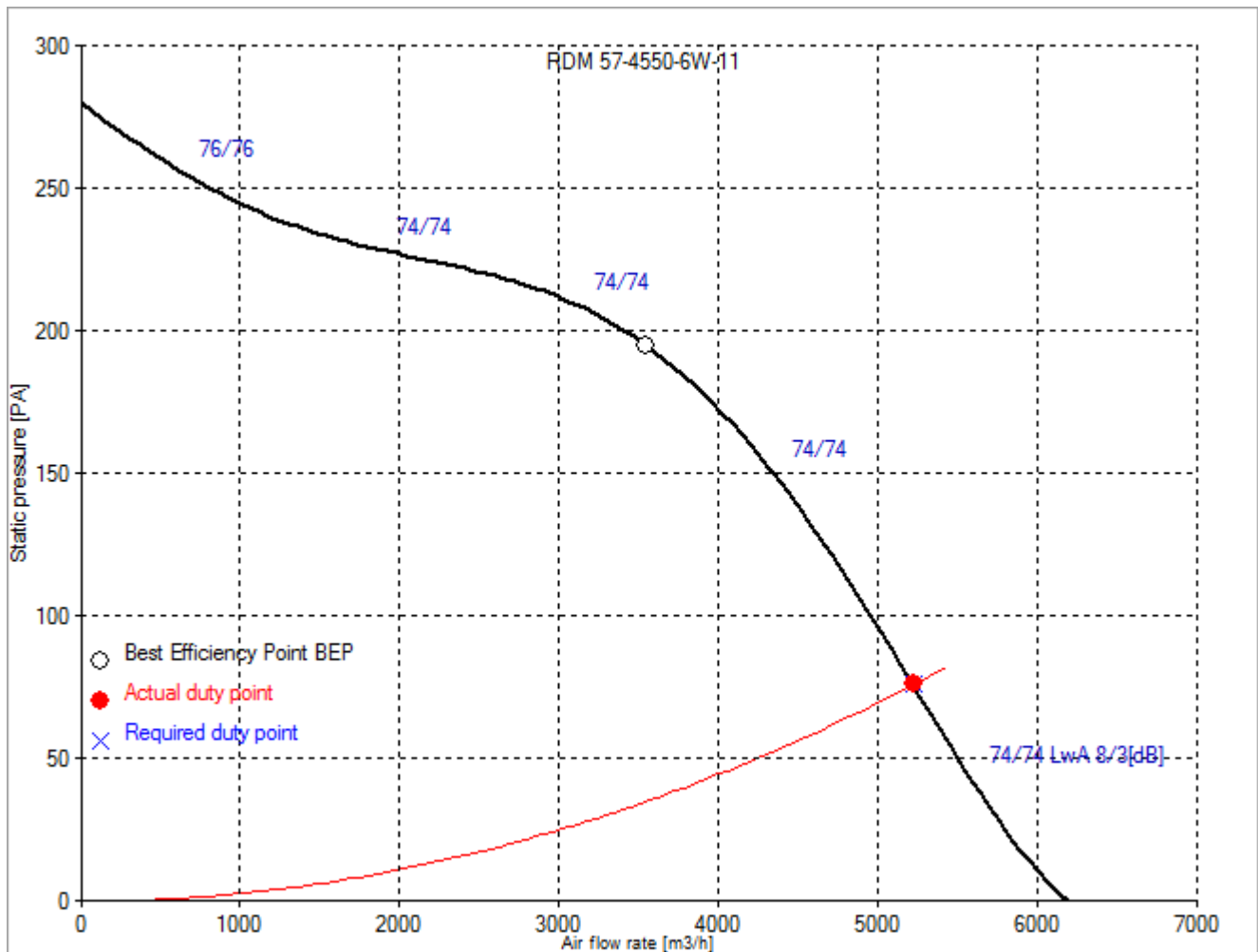
with backward curved blades of steel, welded and coated. All parts submitted to mechanical stresses are made of galvanised steel sheet. The motor is located in a thermally insulated compartment and fully out of the main air stream, additionally cooled by a separate flow. Feed cable passing housing at the front side protected by metal tube The fitting plate for installation of the service switch or connection box is part of delivery (but loose) Performance data in according DIN 24166 tolerance class 2 (BS 848 Class "B").

Technical data of the fan: RDM 57-4550-6W-11

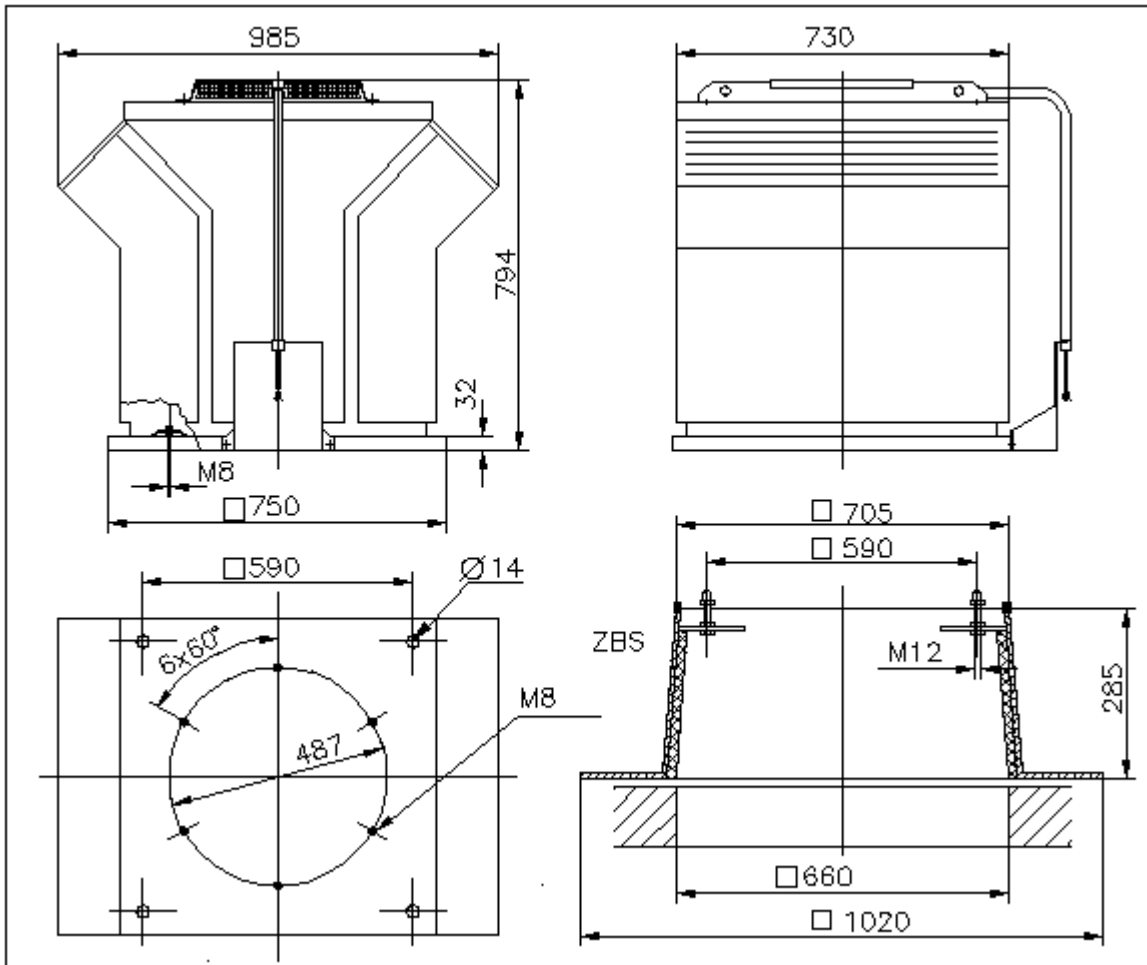
EU regulation 1253/2014 not applicable

Description	Value Dimension
Specified duty point	
Air flow rate (V)	5224 m ³ /h
Static pressure rise (dp _{ra})	76 Pa
Actual duty point	
Installation acc. DIN 24163 Part 1	A
Reference density (Rho1)	1.15 kg/m ³
Medium temperature (t)	20 C
Air flow rate (V)	5225 m ³ /h
Static pressure increase (dp _{ra})	76 Pa
Fan weight	77 kg
A-weighted sound power level discharge/intake LwA _{3/3}	74/74 dB
Unweighted octave sound power level	Octave mid frequencies ¹⁾ 63/125/250/500/1k/2k/4k/8k Hz 71/79/75/71/68/66/62/52 dB discharge LwOkt ₃ 82/88/76/72/63/59/60/52 dB intake LwOkt ₃
<small>SOUND PRESSURE levels at 1/2/3 m distance can be calculated with free sound propagation approximately by reducing the SOUND POWER level by 11/17/20 dB !</small>	
<small>¹⁾ The octave sound power levels can be higher at octave bands at or close to blade passing frequency.</small>	
Rated data	
Phases-Voltage-Frequency	3~230/400-50 V-Hz
Frame size-poles:	80b / IE2-6
Motor rating (P _N)	0.55 kW
Rated motor speed (n _N)	935 min ⁻¹
Rated motor current (I _N)	2,9/1,65 A
Max. temperature t _{max} , admitted for 120 min only	600 C
operational limits	
Max. fan speed (n _{vmax})	1000 min ⁻¹
Max. operating frequency (f _{max})	50 Hz
Temperature range of conveying medium (t _{min} ...t _{max})	-20...80 C

Fan curve to RDM 57-4550-6W-11



Dimensions to RDM 57-4550-6W-11



Rotation:
Handing:

RD
90