

HJBM 50 M4 0,55kW

GENERAL DATA



SQUARE WALL PLATE FAN, VARIABLE PITCH BLADES

MANUFACTURING FEATURES

- Square plate made of galvanized steel sheet.
- Variable pitch angle polyamide impeller reinforced with fibreglass.
- Supplied with motor support and protection guard according to the ROHS 2002/95/EC Directive (Restriction of the Use of Certain Hazardous Substances in Electrical and Electronic Equipments).
- Standard asynchronous squirrel-cage motor with IP-55 protection (wiring box IP-65) and Class F insulation. Manufactured with standard voltages: 230V 50Hz in single phase motors and 230/400V 50Hz in three phase motors.

APPLICATIONS

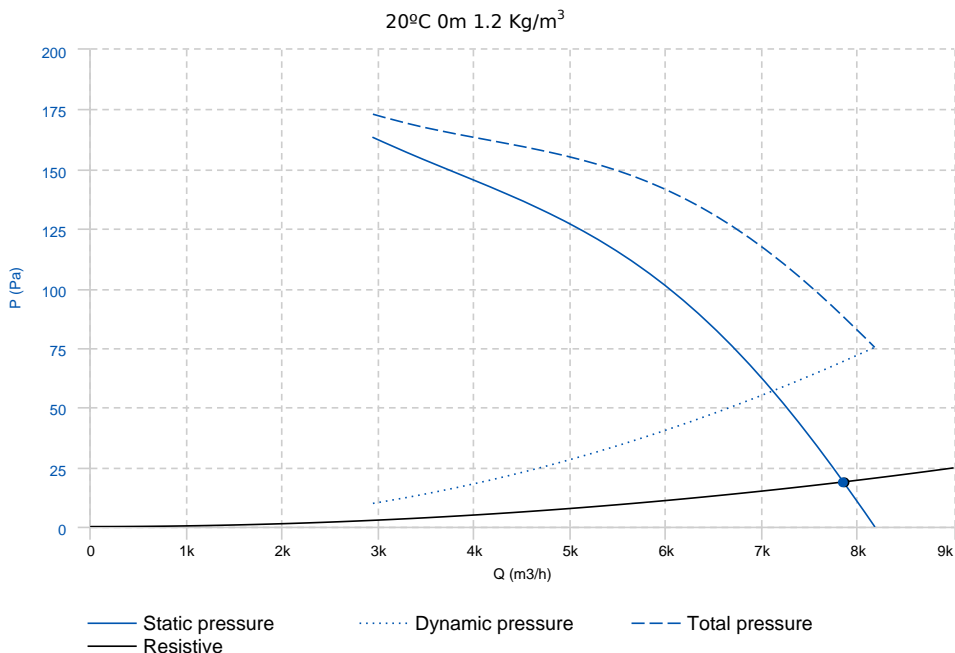
Designed for wall assembly, they are suitable for:

- Air renewal in buildings and industries.
- Maximum working temperature: single phase 50°C, three phase 60°C.

UNDER REQUEST

- B form impeller (air flow from impeller to motor).
- 100% reversible impeller.
- Aluminium impeller.
- 60Hz fans and special voltages.

PERFORMANCE CURVE



Design point	
Flow (m3/h)	7862.7
Pressure (Pa)	18.83
Service point	
T.max (°C)	50
Q (m3/h)	7843.95
Ps (Pa)	18.74
Pd (Pa)	69.32
Pt (Pa)	88.06
Speed (m/s)	10.75
Pabs (kW)	0.43

TECHNICAL DATA

Fan					
RPM	1400	Approx. weight	18 kg	Max. Flow	8170 m3/h

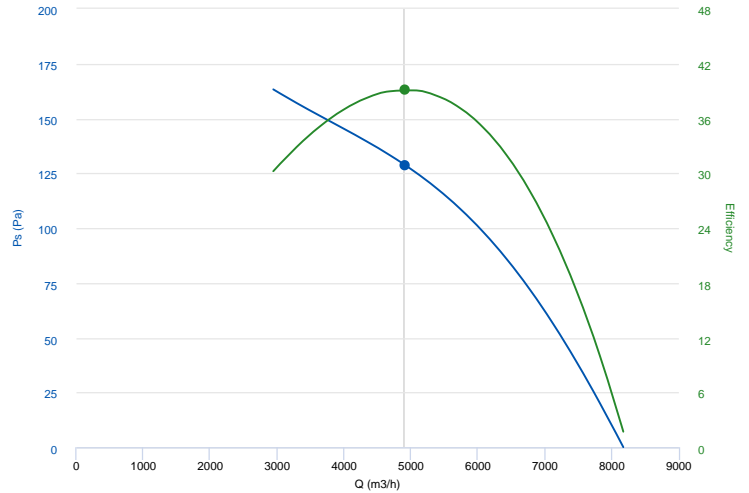
Motor

Power	0,55 kW	RPM	1400	Capacitor	20µF 450V	I max. (230V)	3,98 A
Size	80	Approx. weight	9.1 kg	Efficiency (%)	64 %	FP	0.95

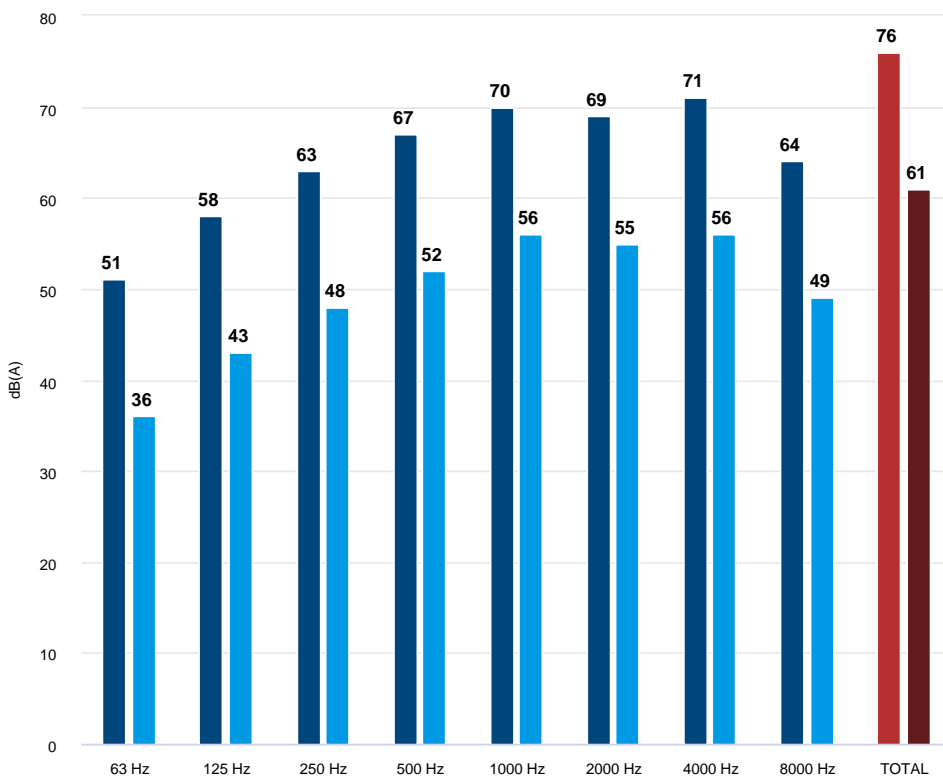
ERP DATA

Fan data sheet

Fan type	Axial fan	
Installation category	A: Outlet and Inlet free discharge	
Efficiency category	Static	
The fan has to be installed with VF	No	
Motor power (kW)	0.55	
	Fan values	ERP Requirements 2015
Max. efficiency (%)	39.11	31.59
Efficiency grade (N)	47.52	40
Pabs (kW)	0.469	
reports.flow (m3/h)	4911.57	
Static pressure (Pa)	128.71	
Speed (m/s)	1400	
Specific ratio	1.00	



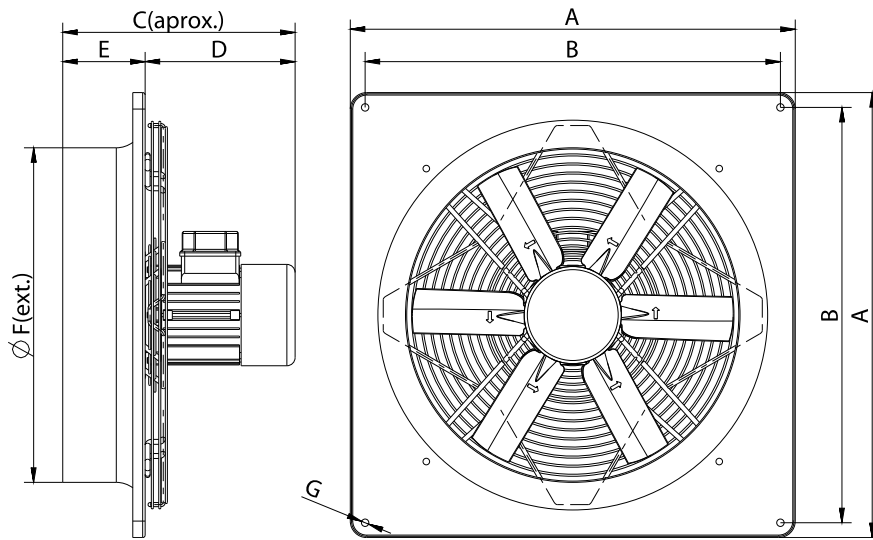
ACOUSTIC DATA



Sound power	
63 Hz	51
125 Hz	58
250 Hz	63
500 Hz	67
1000 Hz	70
2000 Hz	69
4000 Hz	71
8000 Hz	64
TOTAL	76

Sound pressure 1.5m (in)	
63 Hz	36
125 Hz	43
250 Hz	48
500 Hz	52
1000 Hz	56
2000 Hz	55
4000 Hz	56
8000 Hz	49
TOTAL	61

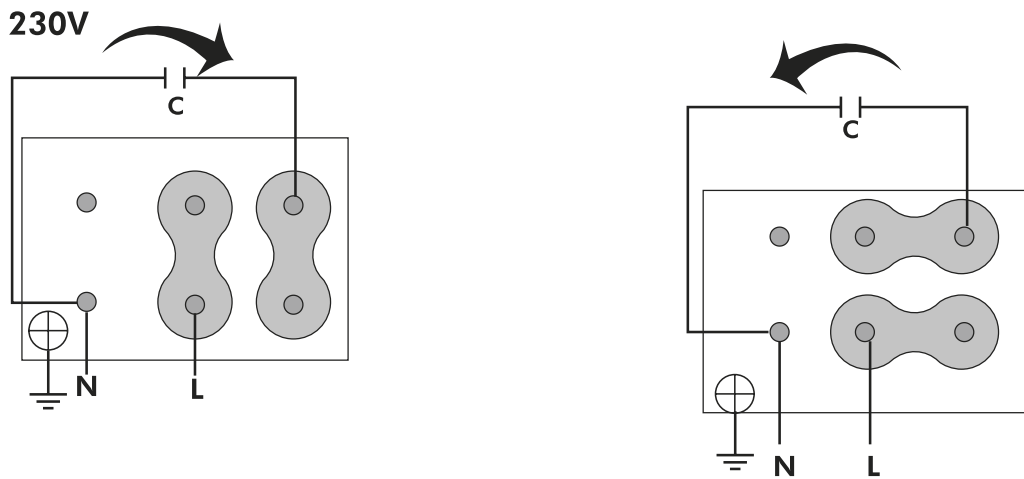
DIMENSIONS



Dimensions (mm)

A	655	B	599,4	C	339,5	D	219,5	E	120
ØF	508	ØG	11						

WIRING DIAGRAM



ACCESSORIES



SAFETY SWITCH
INT 25 3P A
REF: INT253PA



Outlet protection guard for axial fans
RPO 50
REF: 980000050

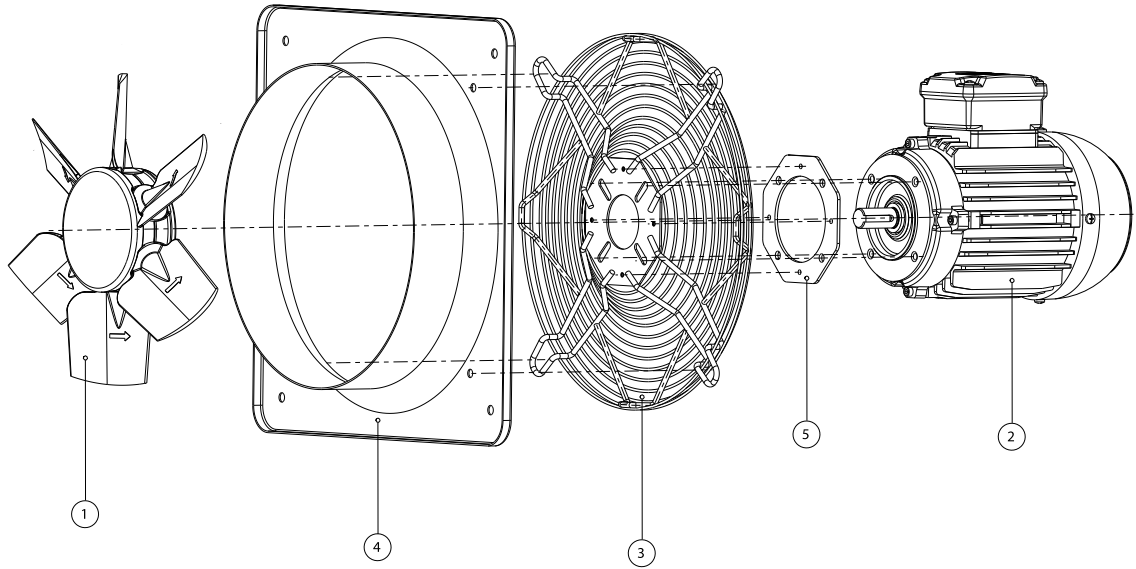


PLASTIC GRAVITY SHUTTER
PCP 50
REF: 963240106



ALUMINIUM GRAVITY SHUTTER
PC2 50
REF: PC25050

SPARE PARTS



	Code	Model
1	H50006340PSTD	1 x IMPELLER 500:AP0:6 G40 D19
2	720301141	1 x MOTOR 0,55kW M4 B14 230V IEC80
3	268501902	1 x PROTECTION GRID HJBM50