

# HJBM 40 M6 0,09kW

## GENERAL DATA



SQUARE WALL PLATE FAN, VARIABLE PITCH BLADES

### MANUFACTURING FEATURES

- Square plate made of galvanized steel sheet.
- Variable pitch angle polyamide impeller reinforced with fibreglass.
- Supplied with motor support and protection guard according to the ROHS 2002/95/EC Directive (Restriction of the Use of Certain Hazardous Substances in Electrical and Electronic Equipments).
- Standard asynchronous squirrel-cage motor with IP-55 protection (wiring box IP-65) and Class F insulation. Manufactured with standard voltages: 230V 50Hz in single phase motors and 230/400V 50Hz in three phase motors.

### APPLICATIONS

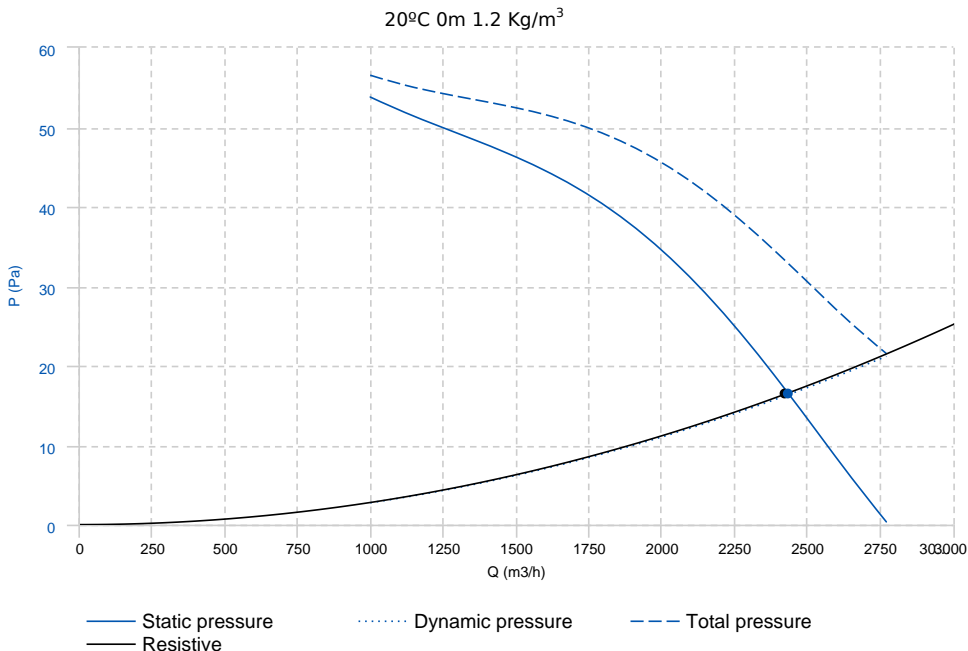
Designed for wall assembly, they are suitable for:

- Air renewal in buildings and industries.
- Maximum working temperature: single phase 50°C, three phase 60°C.

### UNDER REQUEST

- B form impeller (air flow from impeller to motor).
- 100% reversible impeller.
- Aluminium impeller.
- 60Hz fans and special voltages.

## PERFORMANCE CURVE



Design point	
Flow (m3/h)	2423.8
Pressure (Pa)	16.44
Service point	
T.max (°C)	50
Q (m3/h)	2432.18
Ps (Pa)	16.55
Pd (Pa)	16.33
Pt (Pa)	32.89
Speed (m/s)	5.22
Pabs (kW)	0.07

## TECHNICAL DATA

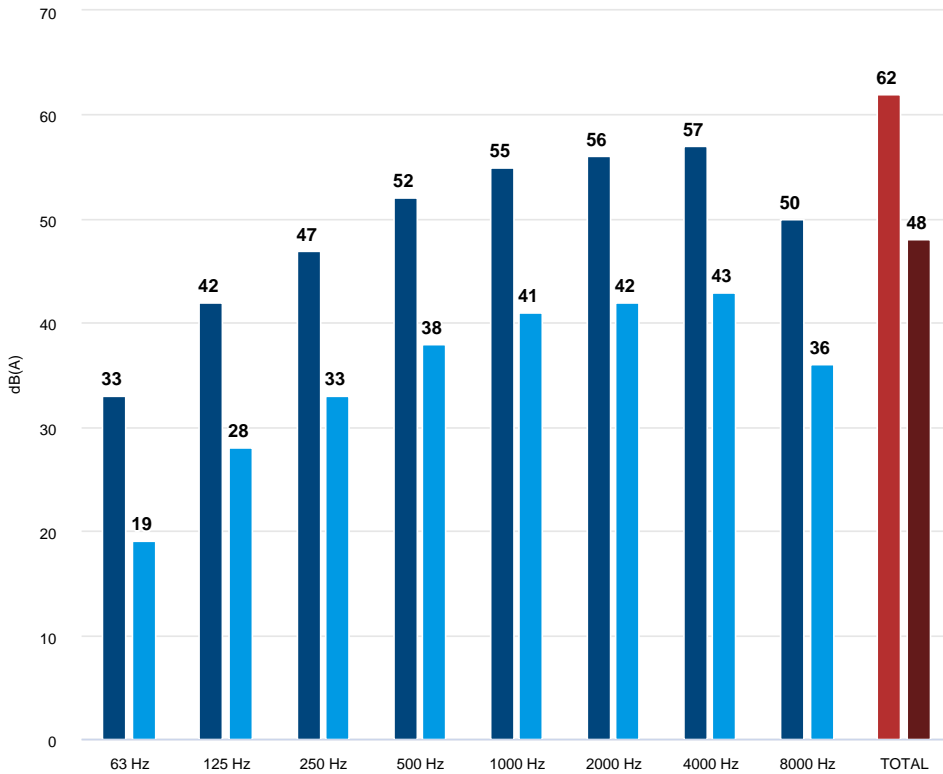
### Fan

RPM	920	Approx. weight	9 kg	Max. Flow	2770 m3/h
-----	-----	----------------	------	-----------	-----------

### Motor

Power	0,09 kW	RPM	920	I max. (230V)	0,92 A
-------	---------	-----	-----	---------------	--------

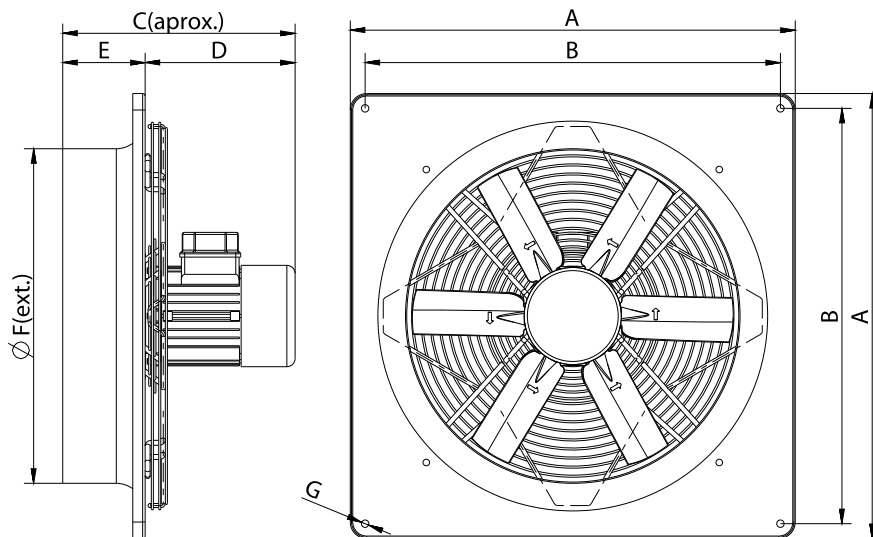
### ACOUSTIC DATA



Sound power	
63 Hz	33
125 Hz	42
250 Hz	47
500 Hz	52
1000 Hz	55
2000 Hz	56
4000 Hz	57
8000 Hz	50
TOTAL	62

Sound pressure 1.5m (in)	
63 Hz	19
125 Hz	28
250 Hz	33
500 Hz	38
1000 Hz	41
2000 Hz	42
4000 Hz	43
8000 Hz	36
TOTAL	48

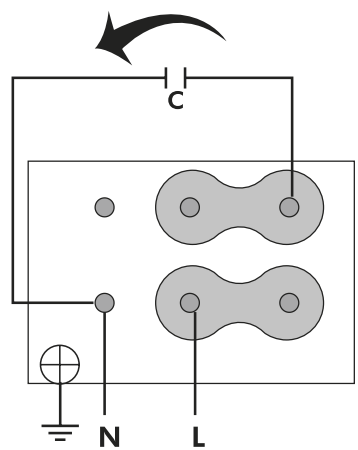
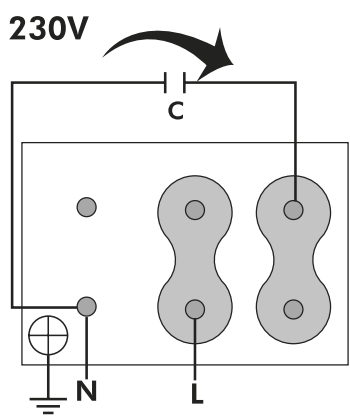
### DIMENSIONS



### Dimensions (mm)

A	540	B	504	C	284,3	D	184,3	E	100
ØF	406	ØG	11						

**WIRING DIAGRAM**



**ACCESSORIES**



**SAFETY SWITCH**  
**INT 25 3P A**  
**REF: INT253PA**



**Outlet protection guard for axial fans**  
**RP0 40**  
**REF: 980000040**

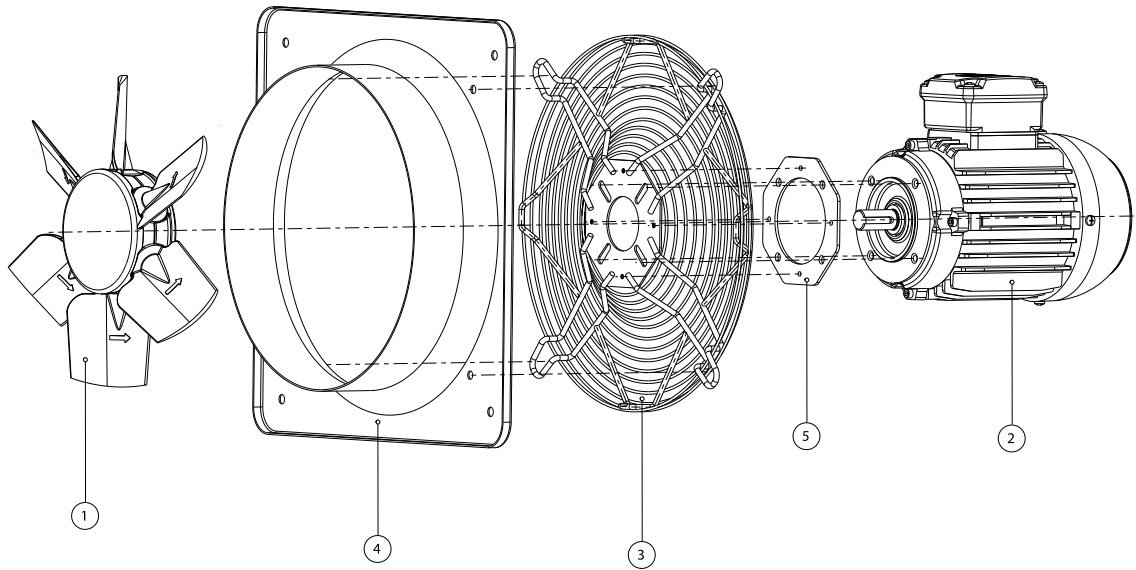


**PLASTIC GRAVITY SHUTTER**  
**PCP 40**  
**REF: 963230106**



**ALUMINIUM GRAVITY SHUTTER**  
**PC2 40**  
**REF: PC24040**

**SPARE PARTS**



	Code	Model	RPM	Degrees
1	H40006135PSTD	1 x IMPELLER 400:AP0:6 G35 D11	-	-
2	720301207	1 x MOTOR 0,09kW M6 B14 230V IEC63	-	-
3	268401902	1 x PROTECTION GRID HJBM40	-	-