

# HJBM PLUS 35 T4 0,25kW

## GENERAL DATA



SQUARE WALL PLATE FAN, VARIABLE PITCH BLADES AND HIGH EFFICIENCY MOTOR

### MANUFACTURING FEATURES

- Square plate made of galvanized steel sheet with polyester painting.
- Variable pitch angle polyamide impeller reinforced with fibreglass.
- Supplied with motor support and protection guard according to the UNE-EN 20-359-74 norm and the ROHS 2002/95/EC Directive (Restriction of the Use of Certain Hazardous Substances in Electrical and Electronic Equipments).
- High efficiency standard asynchronous squirrel-cage motor with IP-55 protection (wiring box IP-65) and Class F insulation. Manufactured with standard voltages: 230V 50Hz for the single phase motors and 230/400V 50Hz for the three phase motors.

### APPLICATIONS

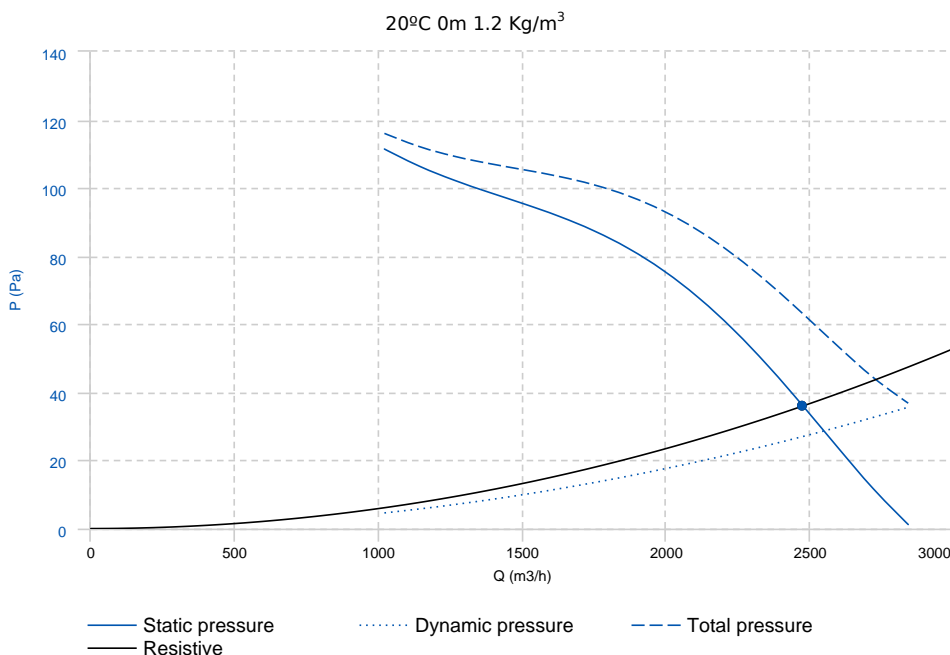
Designed for wall assembly, they are suitable for:

- Air renewal in buildings and industries.
- Maximum working temperature: single phase 50°C, three phase 60°C.

### UNDER REQUEST

- Aluminium impeller.
- 60Hz fans.

## PERFORMANCE CURVE



Design point	
Flow (m3/h)	2475.09
Pressure (Pa)	36.03
Service point	
T.max (°C)	60
Q (m3/h)	2474.29
Ps (Pa)	36.01
Pd (Pa)	27.05
Pt (Pa)	63.05
Speed (m/s)	6.71
Pabs (kW)	0.14

## TECHNICAL DATA

### Fan

RPM	1400	Approx. weight	6.5 kg	Max. Flow	2840 m3/h
-----	------	----------------	--------	-----------	-----------

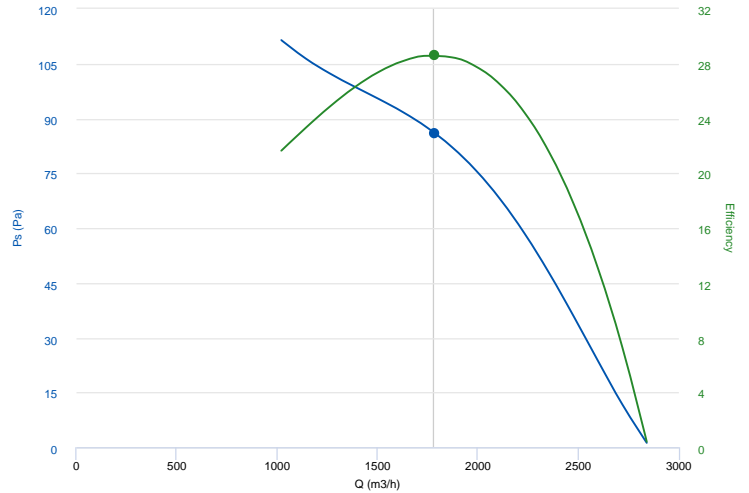
### Motor

Power	0,25 kW	RPM	1400	I max. (230V)	1,38 A	I max. (400V)	0,79 A
Size	71	Approx. weight	5.4 kg				

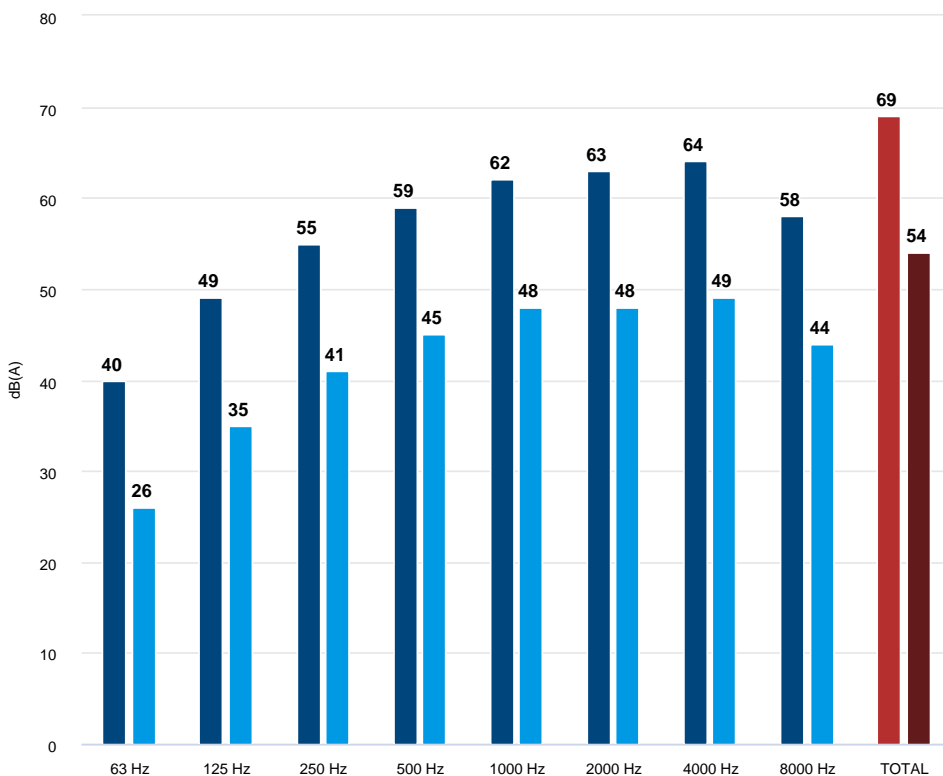
### ERP DATA

#### Fan data sheet

Fan type	Axial fan	
Installation category	A: Outlet and Inlet free discharge	
Efficiency category	Static	
The fan has to be installed with VF	No	
Motor power (kW)	0.25	
	Fan values	ERP Requirements 2015
Max. efficiency (%)	28.59	28.5
Efficiency grade (N)	40.09	40
Pabs (kW)	0.152	
reports.flow (m3/h)	1783.48	
Static pressure (Pa)	86.04	
Speed (m/s)	1400	
Specific ratio	1.00	



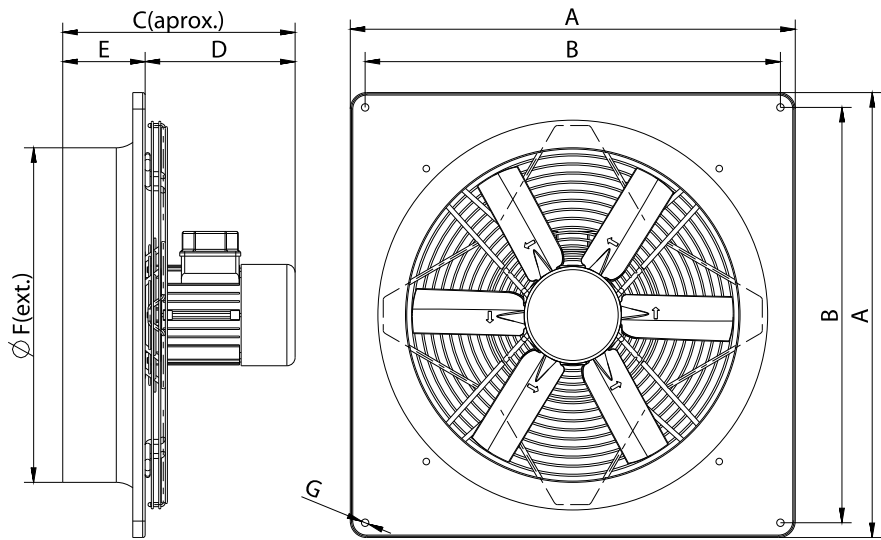
### ACOUSTIC DATA



Sound power	
63 Hz	40
125 Hz	49
250 Hz	55
500 Hz	59
1000 Hz	62
2000 Hz	63
4000 Hz	64
8000 Hz	58
TOTAL	69

Sound pressure 1.5m (in)	
63 Hz	26
125 Hz	35
250 Hz	41
500 Hz	45
1000 Hz	48
2000 Hz	48
4000 Hz	49
8000 Hz	44
TOTAL	54

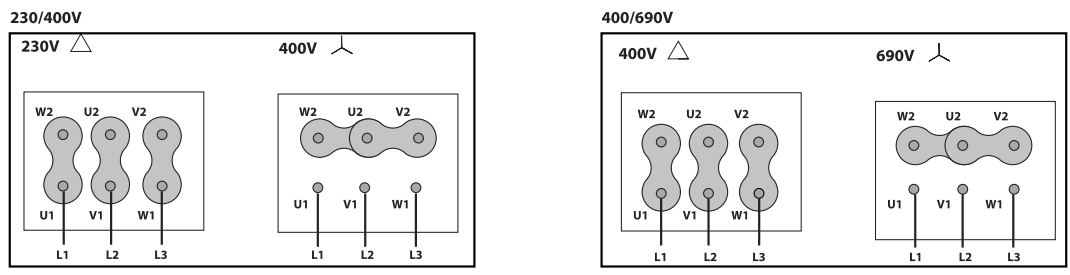
## DIMENSIONS



Dimensions (mm)

A	460	B	392	C	297,5	D	211,5	E	86
$\varnothing F$	366	$\varnothing G$	9						

## WIRING DIAGRAM



## ACCESSORIES



**SAFETY SWITCH**  
**INT 25 3P A**  
**REF: INT253PA**



**Outlet protection guard for axial fans**  
**RPO 35**  
**REF: 980000035**



**PLASTIC GRAVITY SHUTTER**  
**PCP 35**  
**REF: 963230105**



**ALUMINIUM GRAVITY SHUTTER**  
**PC2 40**  
**REF: PC24040**



**FREQUENCY SPEED CONTROLLER**  
**SFC 230 I 2,5A \***  
**REF: SFC230I003**



**FREQUENCY SPEED CONTROLLER**  
**SFC 400 III 1,2A \***  
**REF: SFC400III1**