

MA 28 T2 1,1kW

GENERAL DATA



FORWARD ALLUMINIUM IMPELLER FAN, ALLUMINIUM CAST CASING

MANUFACTURING FEATURES:

- Cast aluminium housing.
- Cast aluminium impeller.
- Polyester powder finishing coat.
- Standard asynchronous squirrel-cage motor with IP-55 protection and Class F insulation. Manufactured with standard voltages: 230V 50Hz in single phase motors and 230/400V 50Hz in three phase motors.
- Standard position LG 270.

APPLICATIONS:

Designed for inline installation, they are suitable for:

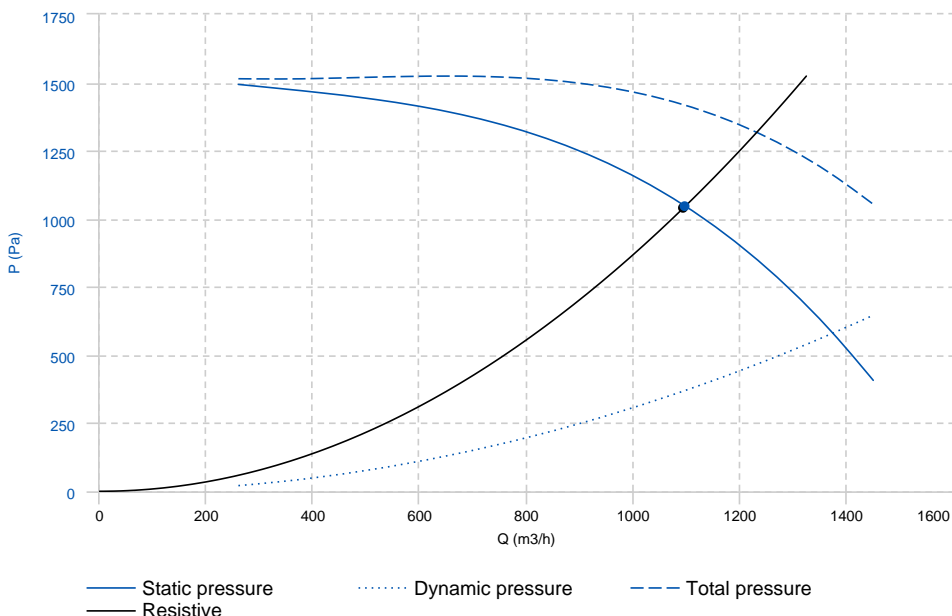
- Industrial applications, extraction or injection of air.
- Cooling of machines and parts.
- Clean and slightly dusty air transport.
- Maximum working temperature: carried air: 130°C, environment: 60°C for three phase motors and 50°C for single phase motors.

UNDER REQUEST:

- Special voltages.
- Position: LG 0, LG 45, LG 90, LG 135, LG 180, LG315.

PERFORMANCE CURVE

20°C 0m 1.2 Kg/m³



Design point	
Flow (m3/h)	1094.12
Pressure (Pa)	1039.75
Service point	
T.max (°C)	130
Q (m3/h)	1097.62
Ps (Pa)	1046.41
Pd (Pa)	370.26
Pt (Pa)	1416.67
Speed (m/s)	24.85
Pabs (kW)	1.08

TECHNICAL DATA

Fan

RPM	2800	Approx. weight	20 kg	Max. Flow	1450 m3/h
-----	------	----------------	-------	-----------	-----------

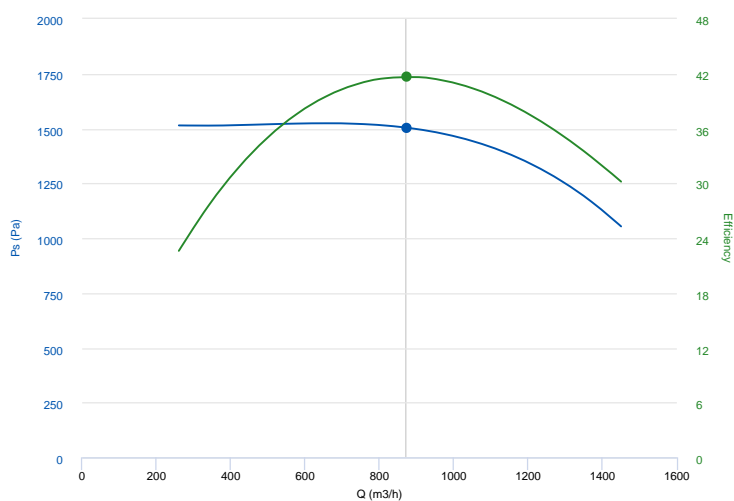
Motor

Power	1,1 kW	RPM	2800	I max. (230V)	4,05 A	I max. (400V)	2,33 A
Size	80	Approx. weight	16 kg	Efficiency (%)	80 %	FP	0.85

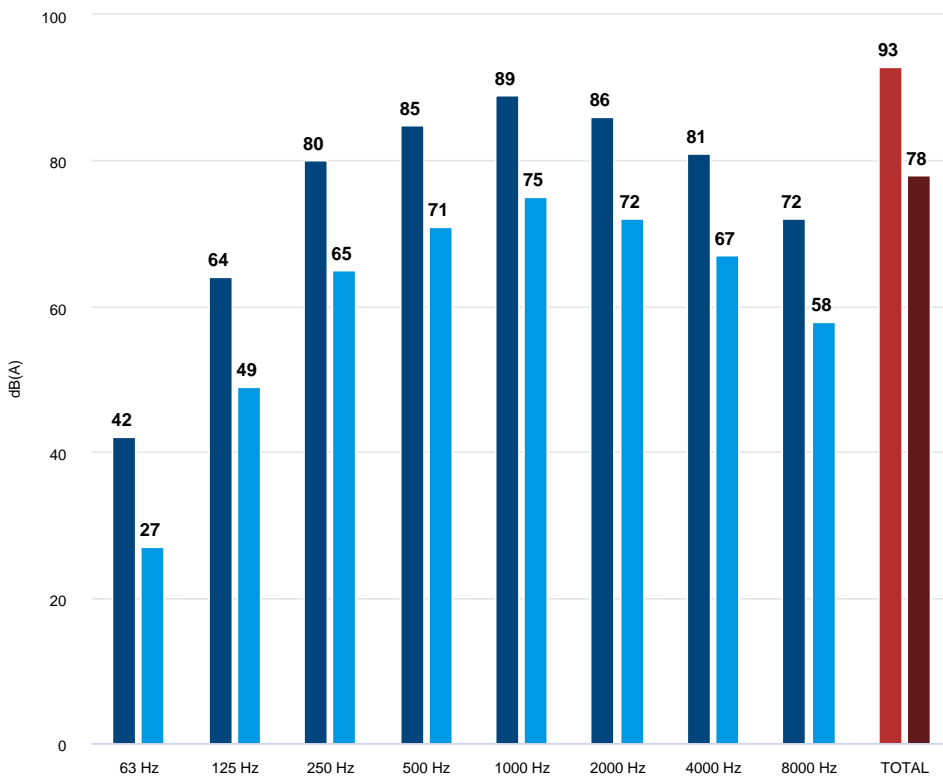
ERP DATA

Fan data sheet

Fan type	Centrifugal fan radial or forward blades	
Installation category	B: Inlet free, Ducted outlet	
Efficiency category	Total	
The fan has to be installed with VF	No	
Motor power (kW)	1.1	
	Fan values	ERP Requirements 2015
Max. efficiency (%)	41.65	42.32
Efficiency grade (N)	48.32	49
Pabs (kW)	0.881	
reports.flow (m3/h)	873.53	
Total pressure (Pa)	1504.06	
Speed (m/s)	2800	
Specific ratio	1.00	



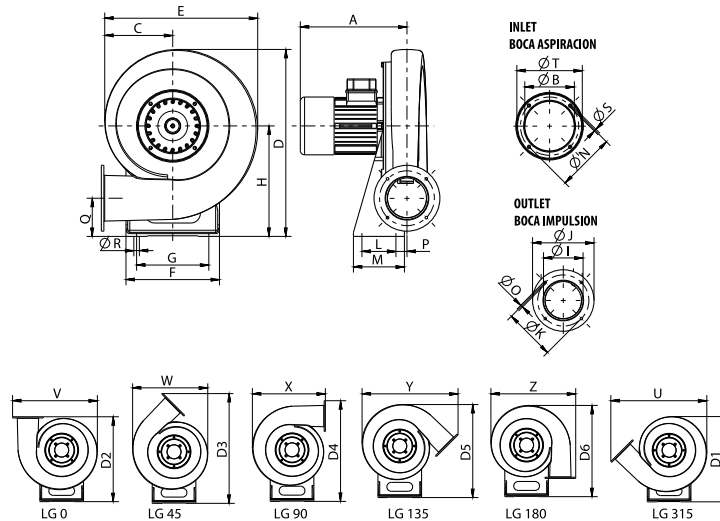
ACOUSTIC DATA



Sound power	
63 Hz	42
125 Hz	64
250 Hz	80
500 Hz	85
1000 Hz	89
2000 Hz	86
4000 Hz	81
8000 Hz	72
TOTAL	93

Sound pressure 1.5m (in)	
63 Hz	27
125 Hz	49
250 Hz	65
500 Hz	71
1000 Hz	75
2000 Hz	72
4000 Hz	67
8000 Hz	58
TOTAL	78

DIMENSIONS



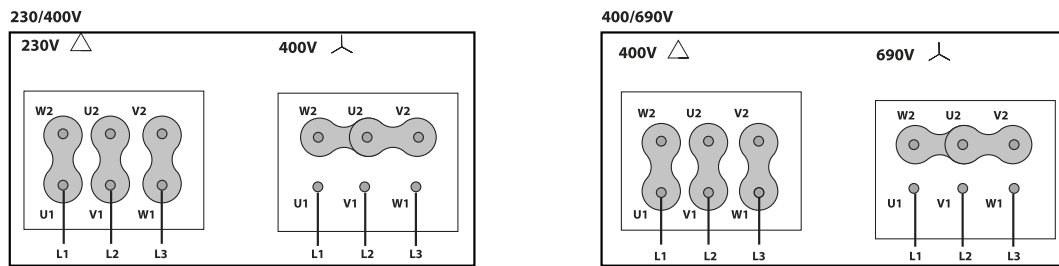
Dimensions (mm)

A	275	BØ	125	C	168	D	440	D1	470
D2	468	D3	605	D4	558	D5	516	D6	505
E	393	F	230	G	180	H	290	I	130
J	182	K	160	L	100	M	140	NØ	162
OØ	10,2	P	20	Q	113	RØ	13	SØ	M6

Dimensions (mm)

TØ	187	U	518	V	460	W	406	X	393
Y	518	Z	460						

WIRING DIAGRAM



ACCESSORIES



SAFETY SWITCH
INT 25 3P A
REF: INT253PA



INLET PROTECTION GUARD FOR CENTRIFUGAL FANS
RA 14/5
REF: 253101901



ANTI-VIBRATING FLANGE 400º/2H
BA-400 15/16
REF: 960002067



ANTI-VIBRATION JOINT
JE 45
REF: 300719201



CONNECTION FLANGE
AC 130
REF: 960003203



OUTLET PROTECTION GUARD
RBS 28
REF: 960000382



CIRCULAR-CIRCULAR ANTI-VIBRATION FLANGE
BAD 3
REF: 960003453



FREQUENCY SPEED CONTROLLER
SFC 230 I 4,2A *
REF: SFC230I004



FREQUENCY SPEED CONTROLLER
SFC 400 III 3,6A *
REF: SFC400III4



ANTI-VIBRATION RUBBER BLOCK
AVR (GENERIC)



ANTI-VIBRATION SPRING BLOCK
AVS (GENERIC)

SPARE PARTS

	Code	Model	RPM	Degrees
1	153503651	1 x TURBINE MA28 LG	-	-
2	721001042	1 x MOTOR 1,1kW T2 B14 230/400V IEC80	-	-
3	153501771S	1 x CASING MA28	-	-
4	153501751S	1 x BASE SUPPORT MOTOR MA28	-	-