



Specification of: RDM 31-2528-4X-04-3G

Centrifugal Roof Fan Nicotra Gebhardt genovent in explosion proof execution with PREMIUM EFFICIENCY motor in efficiency class IE3 with swirl free vertically directed discharge for gas medium up to app. +40 °C. Stylish sealed casing manufactured from aluminium, Base frame of galvanised sheet steel for fitting to upstand, projecting well beyond the upstand in order to increase weatherproofing. Flange connection at intake acc. to DIN 24155-2 Discharge outlets are protected from the weather on fan shutdown by automatic backdraught shutters. Casing parts, and the impeller plus motor, are easily removed for inspection and maintenance. High performance centrifugal impeller

with backward curved blades, mounted on the shaft of a standard motor placed out of the airstream, protected IP 55. The motor is adequately air cooled via a separate ventilation system. Explosion proof execution according to ATEX regulations 2014/34/EU, DIN EN 14986:2017, DIN EN ISO 80079-36 /-37:2017. Equipment labeling: II 3G Ex h IIB T3 Gc. Without service switch. Performance data in according DIN 24166 tolerance class 2 (BS 848 Class "B").

Technical data of the fan acc. to ATEX: RDM 31-2528-4X-04-3G

EU regulation 1253/2014 not applicable

Description	Value Dimension
Specified duty point	
Air flow rate (V)	1408 m ³ /h
Static pressure rise (dp _{ra})	57 Pa
Actual duty point	
Installation acc. DIN 24163 Part 1	A
Reference density (Rho1)	1.15 kg/m ³
Medium temperature (t)	20 C
Air flow rate (V)	1410 m ³ /h
Static pressure increase (dp _{ra})	57 Pa
Absorbed power (P ₁)	0.126 kW
Static system efficiency (ETA _{raS})	18 %
Nozzle calibration factor (K _{r10})	65 m ² /s/h
Differential pressure on nozzle (dp _D)	270 Pa
Fan weight	23 kg
A-weighted sound power level discharge/intake LwA _{8/3}	71/71 dB
Unweighted octave sound power level	Octave mid frequencies ¹⁾ 63/125/250/500/1k/2k/4k/8k Hz 63/70/68/68/66/64/59/51 dB discharge LwOkt ₈ 76/81/72/69/61/58/55/47 dB intake LwOkt ₃

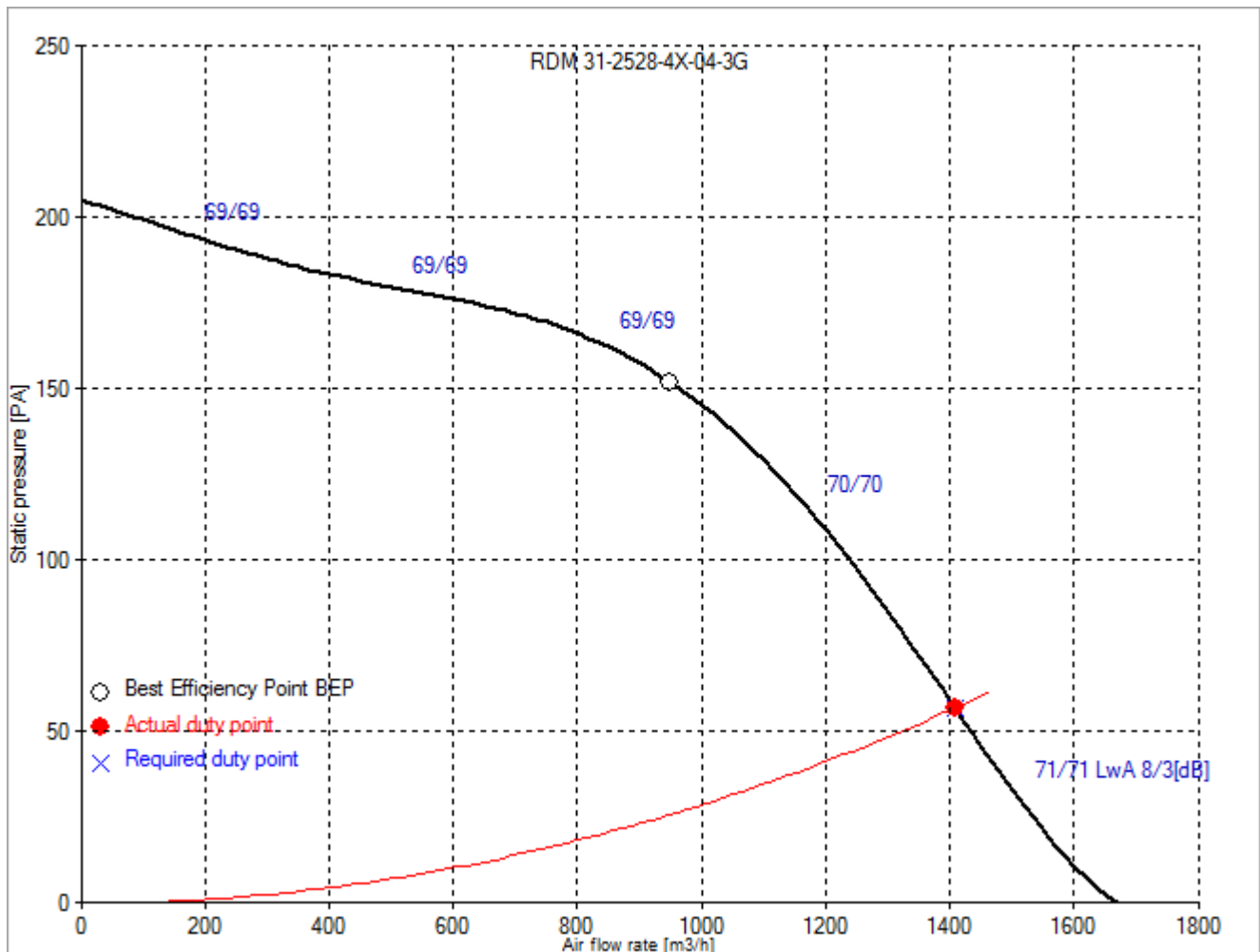
SOUND PRESSURE levels at 1/2/3 m distance can be calculated with free sound propagation approximately by reducing the SOUND POWER level by 11/17/20 dB !

¹⁾ The octave sound power levels can be higher at octave bands at or close to blade passing frequency.

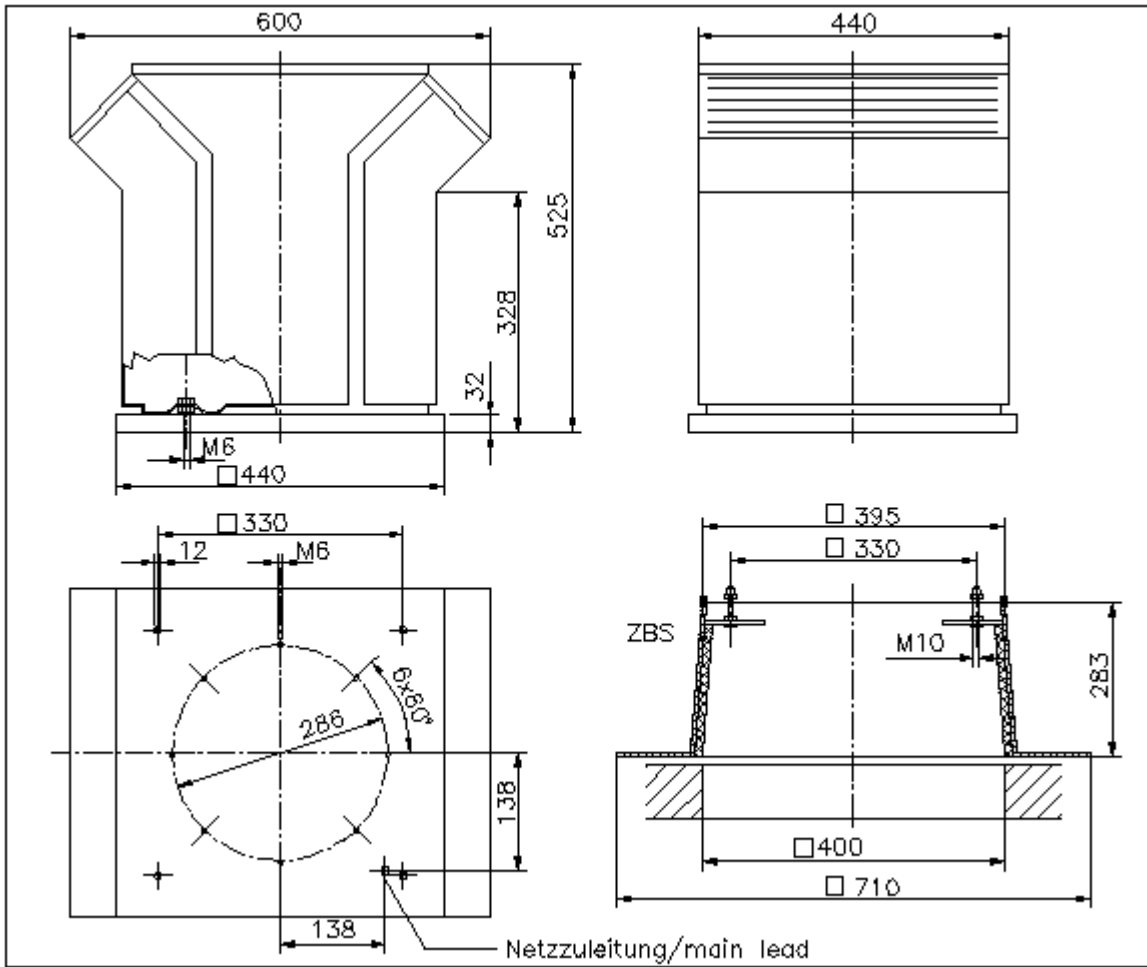
Rated data

Phases-Voltage-Frequency	3~230/400-50 V-Hz
Frame size-poles:	63 Ma-4
Motor rating (P _N)	0.12 kW
Rated motor speed (n _N)	1375 min ⁻¹
Rated motor current (I _N)	0,90/0,52 A
operational limits	
Max. fan speed (n _{vmax})	1500 min ⁻¹
Max. operating frequency (f _{max})	50 Hz
Temperature range of conveying medium (t _{min} ...t _{max})	-20...40 C

Fan curve to RDM 31-2528-4X-04-3G



Dimensions to RDM 31-2528-4X-04-3G



Rotation:
Handing:

RD
90